

# **SHOPLINE**

*SHOPFRONT AND DOORS*

**SHa** PROFILES. . . . . Page 17

**SHb** ACCESSORIES. . . . . Page 47

**SHc** SECTIONS. . . . . Page 67

**SHd** CONSTRUCTION DRAWINGS. . . . Page 153







## **BULLETIN**

### **Shipline Technical Manual Update**

Please find enclosed additional page(s) for the above Technical Manual from Smart Systems. The attached page(s) should be placed at the front of the relevant Technical Manual.


If you have any queries regarding this bulletin please contact the Technical Department on 01934 876100

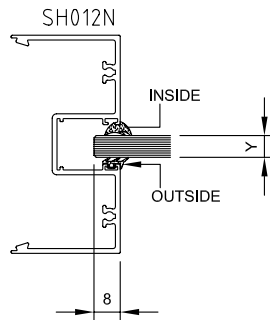




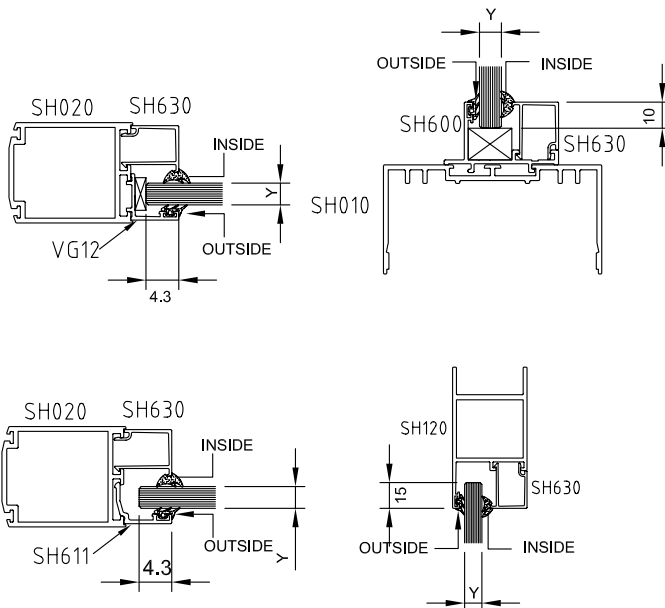
Glazing thickness 'Y'	Glazing gasket outside	Glazing gasket inside
6 mm	ACVG131	ACVG49
7 mm	ACVG131	ACVG49
8 mm	ACVG31	ACVG340
9 mm	ACVG31	ACVG340
10 mm	ACVG31	ACVG34
11 mm	ACVG231	ACVG34
12 mm	ACVG231	ACVG33

Replacing the  
ACVG340 with ACVG49

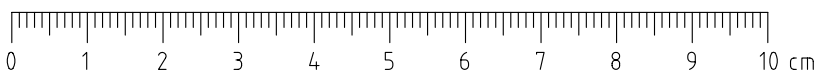
L	
lyy	
lxx	
	



Glazing thickness 'Y'	Glazing Gasket Outside	Glazing gasket inside
6 mm	ACVG131	ACVG49
7 mm	ACVG131	ACVG49
8 mm	ACVG31	ACVG340
9 mm	ACVG31	ACVG340
10 mm	ACVG31	ACVG34
11 mm	ACVG231	ACVG34
12 mm	ACVG231	ACVG33



Do Not Scale from this Drawing







## BULLETIN

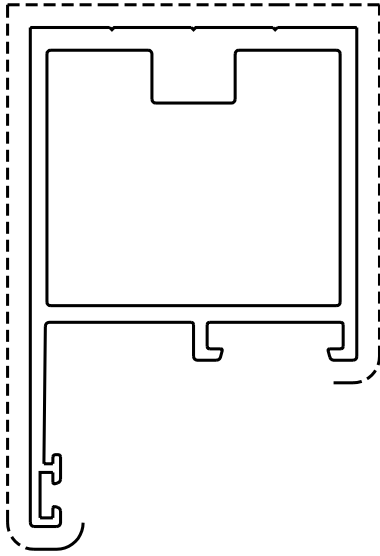
### Shoptline Technical Manual

Please find enclosed pages showing additional product(s) now available from Smart Systems. These pages should be placed at the front of the relevant Technical Manual.

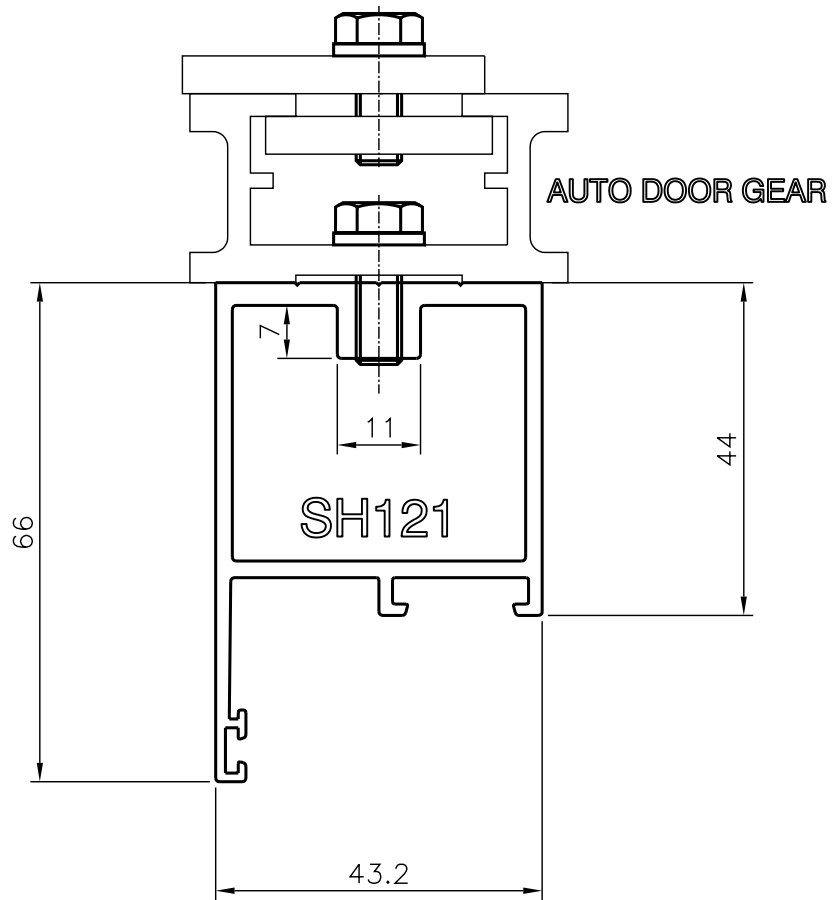
Prices for these products can either be found in the current price list or have been issued on Bulletin 179-181206.

Should you have any questions relating to this bulletin please contact the Marketing Department on 01934 876100.






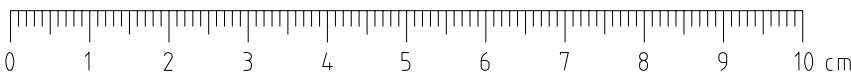
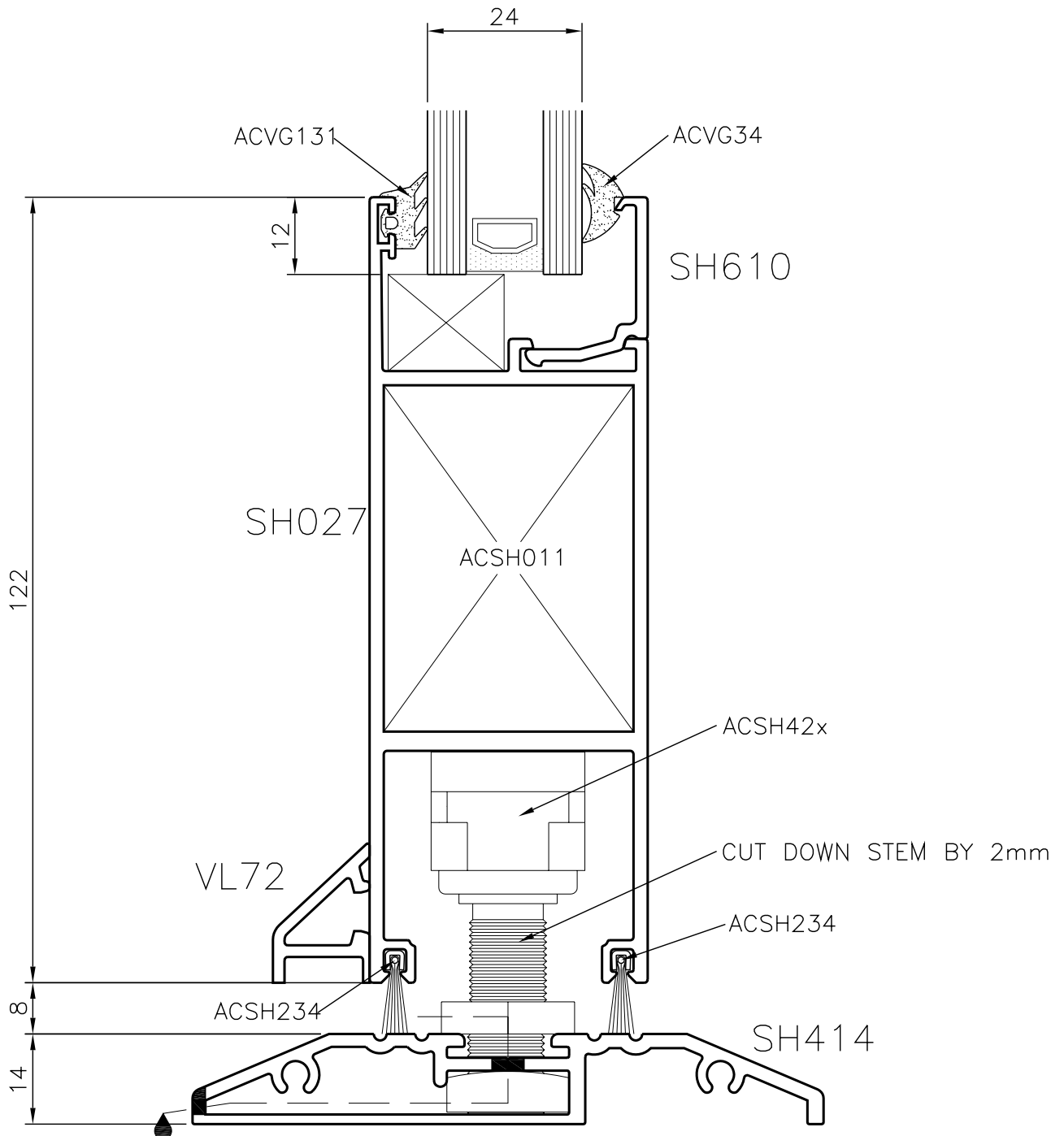
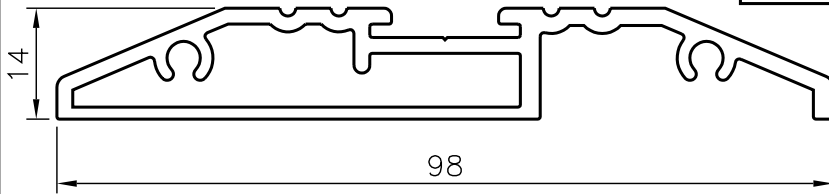
<b>SH121</b>			
<b>SHOPLINE AUTO DOOR TOP RAIL</b>			
	lxx	lyy	L
261mm			6500mm

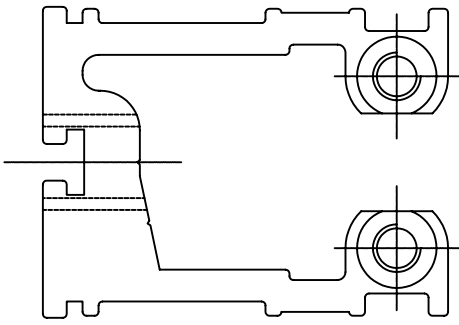


SH414

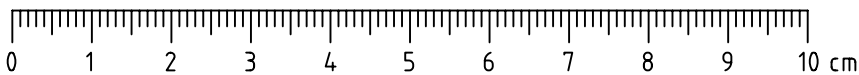
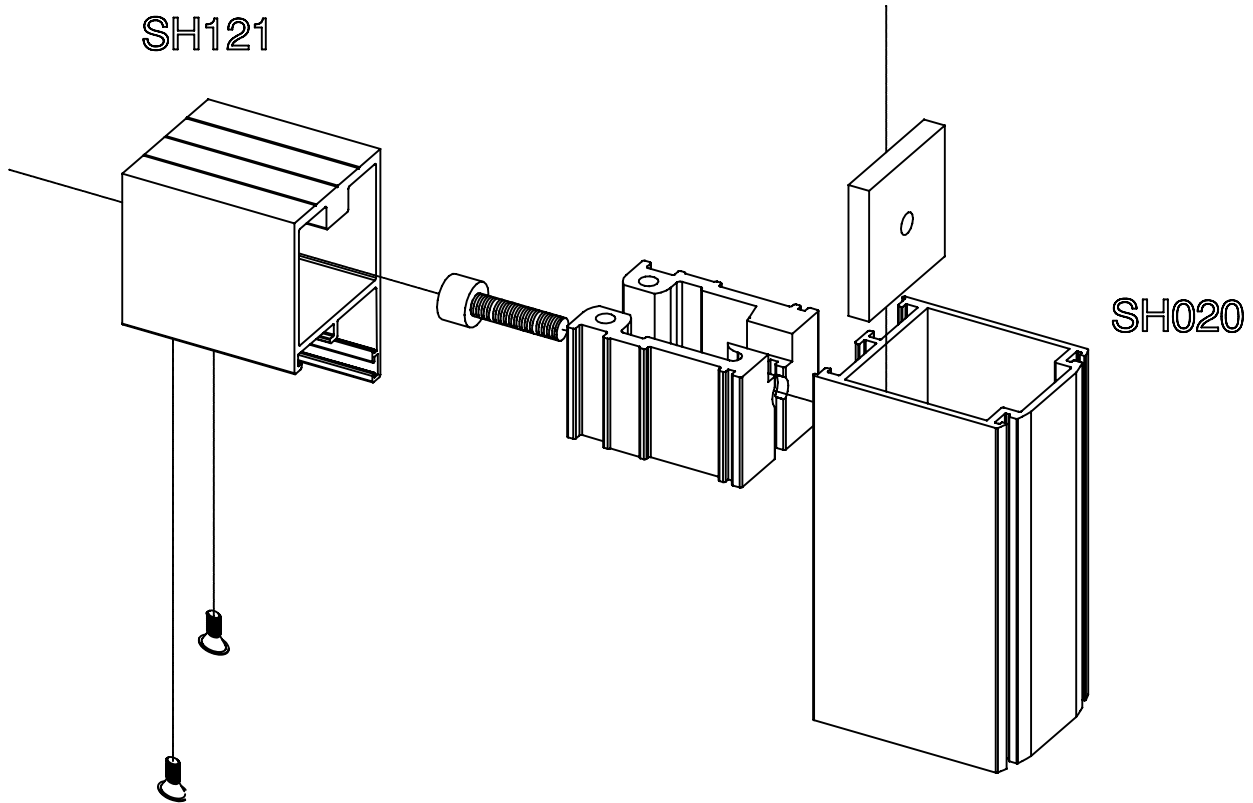
DRAINAGE THRESHOLD

	lxx	lyy	L
263mm			6500mm





<b>ACSH482</b>			
TOP RAIL CLEAT KIT FOR AUTO DOORS FOR USE WITH PROFILE SH 121			
□ ↓	lxx	lyy	L
CLEAT KIT INCLUDES TAPPING PLATE AND MACHINE SCREWS			









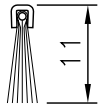
## BULLETIN

### Update for Shopline Manual

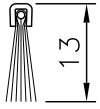
Please find following an update for the Shopline Technical Manual. Insert this into the front of your manual for future reference.

Should you have any questions relating to this bulletin please contact the Marketing Department on 01934 876100.

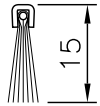




ACSH 034



ACSH 234

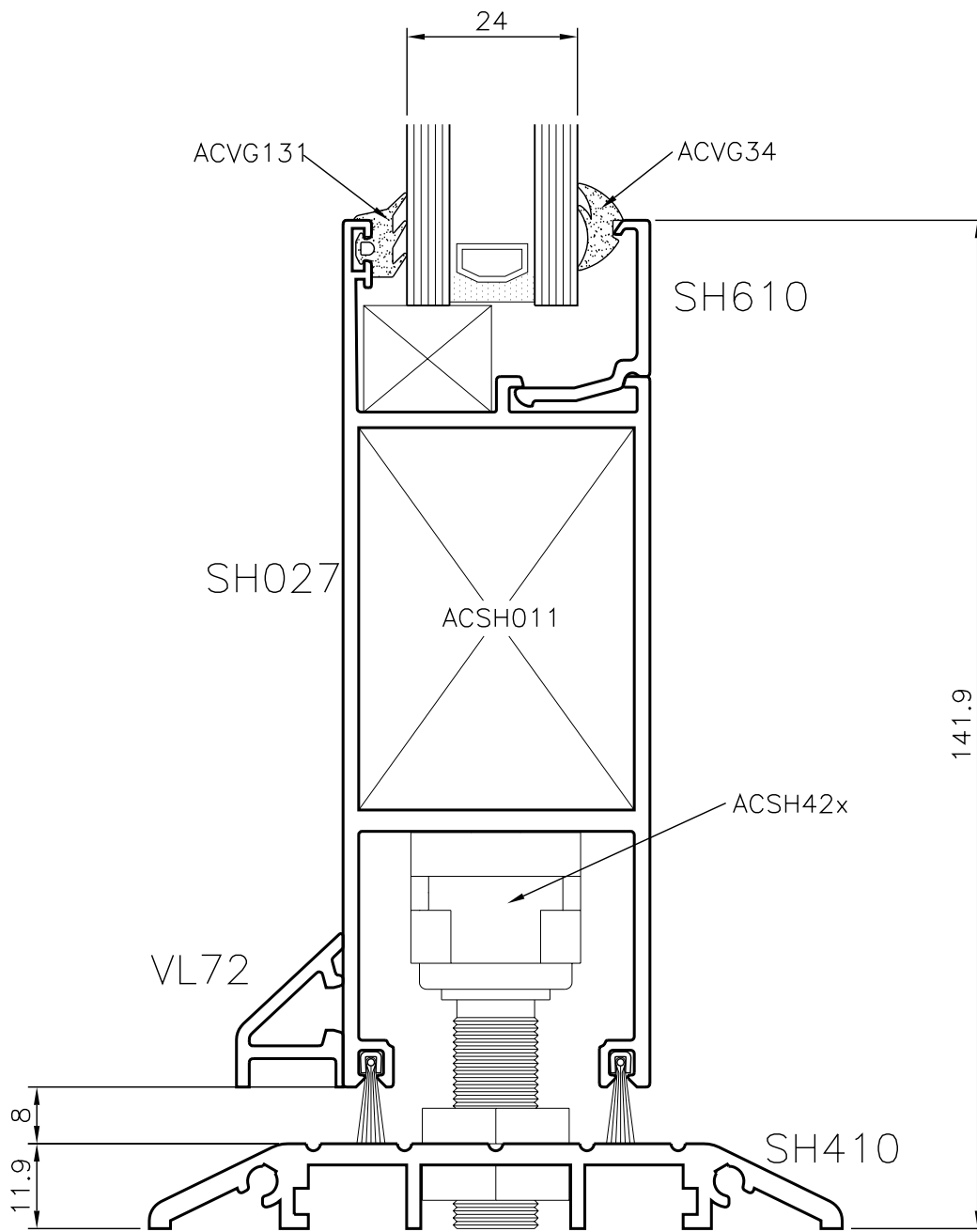


ACSH 134

ACSH 034, 134, 234

BRUSH FOR BOTTOM RAIL

	lxx	lyy	L
			3000mm







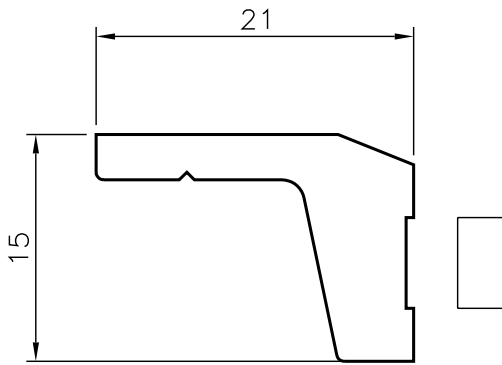
## BULLETIN

### Update for Shopline Technical Manual

Please find attached illustrations of two new products for the Shopline Technical Manual. Please insert these pages at the beginning of your manual for your future reference.

Should you have any questions relating to this bulletin please contact the Marketing Department on 01934 876100.





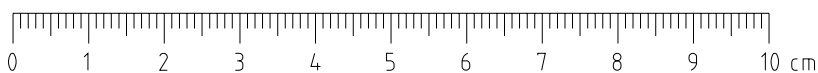
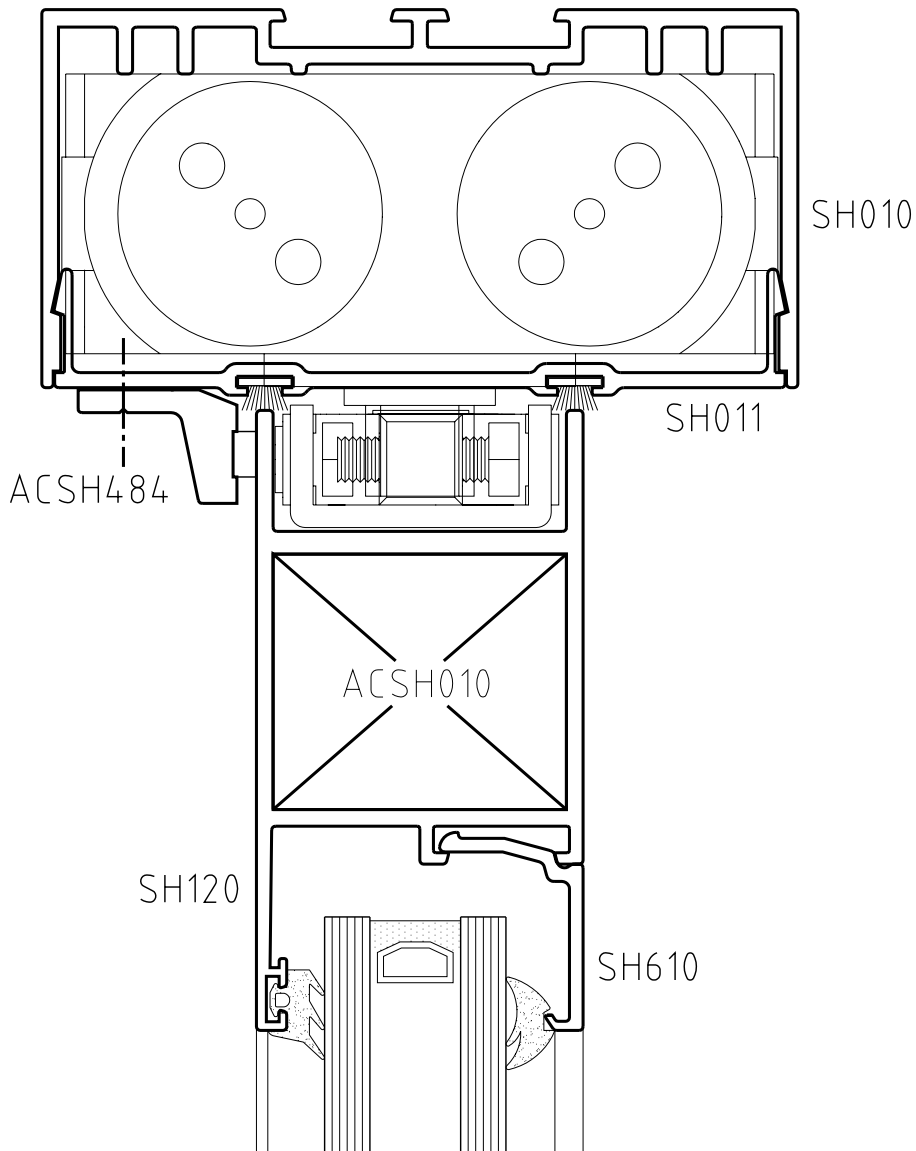
ACSH 484

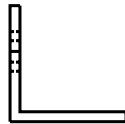
SHOPLINE DOOR SYSTEM  
DOOR STOP

	lxx	lyy	L
68mm			100mm

COLOURS AVAILABLE

BLACK	WHITE	SILVER	MILL
-------	-------	--------	------



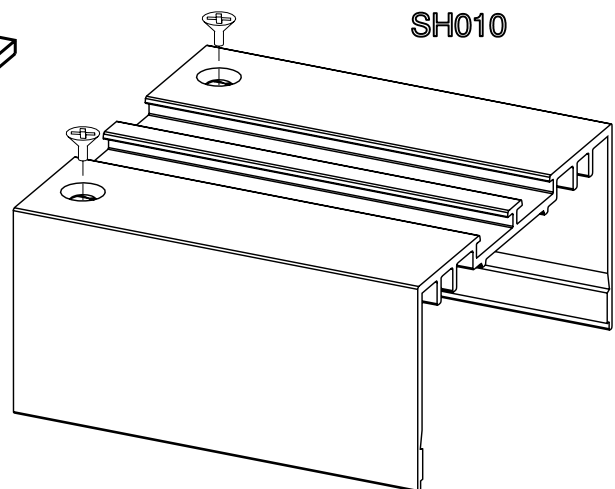
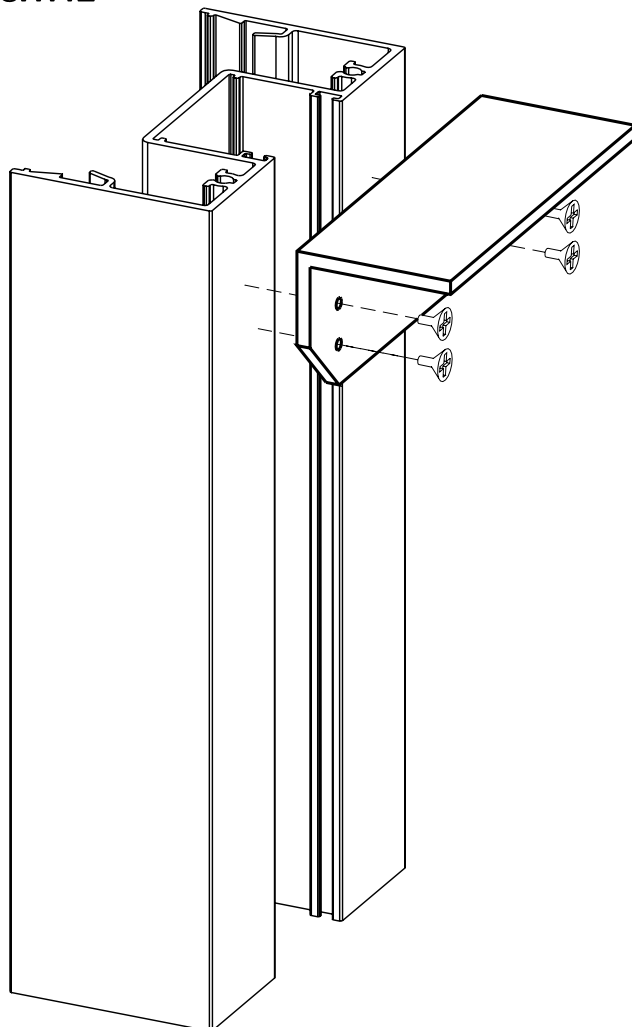


CFC152MFZ

SHOPLINE SYSTEM  
FIXING BRACKET

	lxx	lyy	L

SH012  
SH212  
SH112



SH010





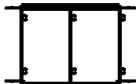


# BULLETIN

## SH113

### SHOPLINE TRANSOM FOR SLIDING DOOR

Smart Systems wish to advise their customers that SH113 is now available in the following finishes.

Reference No. /Description	Pack Qty	LENGTH	PRICE PER LENGTH	
			HP	KL
<b>SH113</b>    TRANSOM FOR SLIDING DOOR	1	4.2m	133.98	129.40

Should you have any questions relating to this bulletin or wish to receive further copies please contact the Marketing Department on 01934 876100.



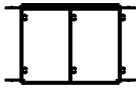


# BULLETIN

## SH113

### SHOPLINE TRANSOM FOR SLIDING DOOR

Smart Systems wish to advise their customers of an immediate amendment to product code SH113. The length has been reduced to 4.2m to enable easier handling.

Reference No. /Description	Pack Qty	LENGTH	PRICE PER LENGTH	
			MF	WP
<b>SH113</b>  TRANSOM FOR SLIDING	1	4.2m	115.21	129.40

Should you have any questions relating to this bulletin or wish to receive further copies please contact the Marketing Department on 01934 876100.






## BULLETIN

### Shopline

As a result of our continuing product development, Smart Systems wish to inform their customers of recent introductions.

#### Profiles

Reference No. /Description	Pack Qty	LENGTH	PRICE PER LENGTH				
			MF	SA	WP	HP	KL
<b>SH213</b> RECESSED POCKET BOX FOR REBATED DOOR 	2	6.5	53.17	74.75	74.75	97.30	74.75
<b>SH272</b> FLUSH POCKET FILLER FOR SH213 	5	6.5	5.90	8.90	8.45	9.50	8.45
<b>SH273</b> DOOR REBATE FOR SH213 	5	6.5	8.80	13.40	11.40	14.00	11.40

#### Tooling

<b>ACSH912</b>	PUNCH TOOL	EACH	1541.40
<b>ACSH913</b>	ANTI FINGER TRAP PUNCH TOOL	EACH	1168.65

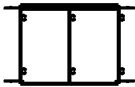


Should you have any questions relating to this bulletin or wish to receive further copies please contact the Marketing Department on 01934 876100.



## BULLETIN

As a result of our continuing product development, Smart Systems are pleased to inform their customers of recent introductions.

### SHOPLINE

Reference No. /Description	Pack Qty	LENGTH	PRICE PER LENGTH						
			MF	SA	WP	HP	KL		
<b>SH113</b>  TRANSOM FOR SLIDING DOOR	1	6.1m	167.32						
<b>SH114</b>  SLIDING DOOR INTERLOCK	10	5.2m	13.73	18.00	16.25	18.75			
<b>SH411</b>  DRAIN THRESHOLD	2	6.5m	31.85	37.85	<b>NOW AVAILABLE IN SATIN ANODISED FINISH</b>				

Should you have any questions relating to this bulletin please contact the Research and Development Department on 01934 876100.



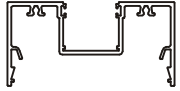




## BULLETIN

### Shopline

As a result of our continuing product development, Smart Systems wish to inform their customers of recent introductions.

#### Profiles

Reference No. /Description	Pack Qty	LENGTH	PRICE PER LENGTH				
			MF	SA	WP	HP	KL
<b>SH213</b> RECESSED POCKET BOX FOR REBATED DOOR 	2	6.5	47.70	64.50	64.50	72.70	64.50
<b>SH272</b> FLUSH POCKET FILLER FOR SH213 	5	6.5	5.90	8.90	8.45	9.50	8.45
<b>SH273</b> DOOR REBATE FOR SH213 	5	6.5	8.80	13.40	11.40	14.00	11.40

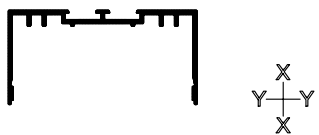
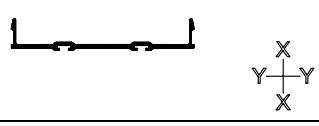
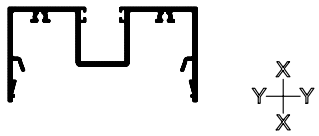
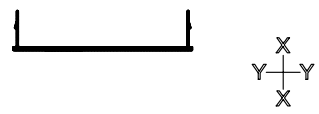
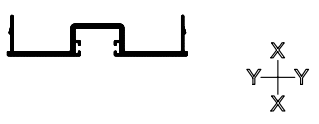
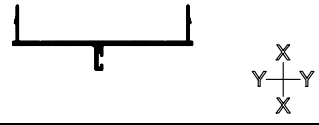
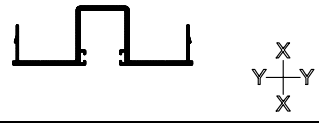
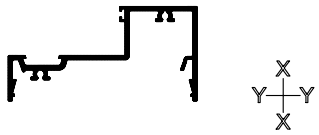
#### Tooling

<b>ACSH912</b>	PUNCH TOOL	EACH	1541.40
<b>ACSH913</b>	ANTI FINGER TRAP PUNCH TOOL	EACH	1168.65

Should you have any questions relating to this bulletin or wish to receive further copies please contact the Marketing Department on 01934 876100.



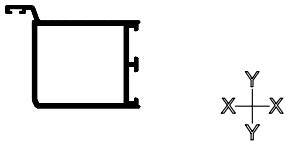
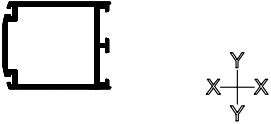
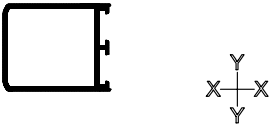
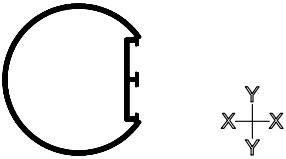
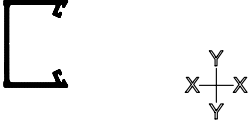
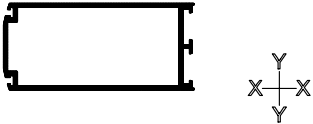
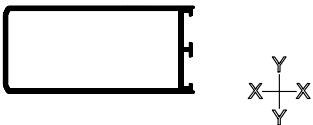
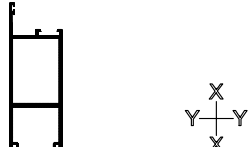
**PROFILES**

NUMBER	PICTURE	PAGE	PERIM. mm	MEC. mm	lxx cm4	lyy cm4	LENGTH	PACK PR.	MF	SA	KL	HP	WP
SH010		A31	491	168	75,83	10,45	6,5	5	X	X	X	X	X
SH011		A31	277	56	23,85	0,3	6,5	5	X	X	X	X	X
SH012		A17	637	187	87,02	14,45	6,5	5	X	X	X	X	X
SH013		A18	271	96	26,79	0,65	6,5	5	X	X	X	X	X
SH014		A18	356	79	28,02	1,39	6,5	5	X	X	X	X	X
SH015		A32	305	131	26,8	0,98	6,5	2	X	X	X	X	X
SH016		A18	413	79	29,08	4,95	6,5	5	X	X	X	X	X
SH018		A19	507	120	67,6	10,42	6,5	5	X	X	X	X	X

MF = MILL  
 SA = SATIN ANODISED  
 KL = STANDARD COLOURS  
 HP = SPECIAL COLOUR  
 WP = WHITE

A = OUTSIDE  
 B = INSIDE

## PROFILES

NUMBER	PICTURE	PAGE	PERIM. mm	MEC. mm	lxx cm4	lyy cm4	LENGTH	PACK PR.	MF	SA	KL	HP	WP
SH019		A38	297,5	217	18,40	24,37	6,5	1	X	X	X	X	X
SH020		A33	259	180	15,25	19,89	6,5	5	X	X	X	X	X
SH021		A33	239	163	14,83	19,18	6,5	5	X	X	X	X	X
SH022		A34	287	211	41,75	37,36	6,5	5	X	X	X	X	X
SH023		A34	260	72	8,9	3,42	6,5	5	X	X	X	X	X
SH025		A37	347	270	24,59	86,61	6,5	5	X	X	X	X	X
SH026		A37	328	252	24,17	82,59	6,5	5	X	X	X	X	X
SH027		A39	485	248	23,63	79,25	6,5	5	X	X	X	X	X

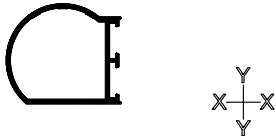
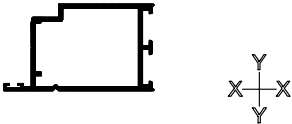
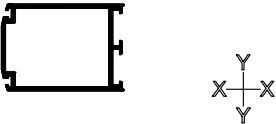
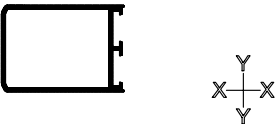
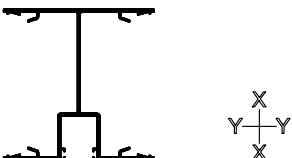
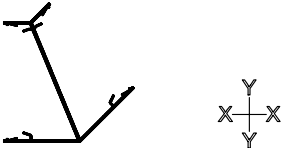

**PROFILES**

NUMBER	PICTURE	PAGE	PERIM. mm	MEC. mm	lxx cm4	lyy cm4	LENGTH	PACK PR.	MF	SA	KL	HP	WP
SH028		A40	640,5	488	38,10	372,33	6,5	1	X	X	X	X	X
SH030		A19	440	147	59,16	13,95	6,5	5	X	X	X	X	X
SH032		A40	459	260	24,01	110,55	6,5	2	X	X		X	X
SH033		A41	318	111	10,67	9,56	6,5	5	X	X	X	X	X
SH034		A41	571	364	34,49	315,74	6,5	5	X	X	X	X	X
SH035		A35	202	148	10,47	6,43	6,5	1	X	X	X	X	X
SH036		A35	243,3	163	19,74	19,98	6,5	1	X	X	X	X	X

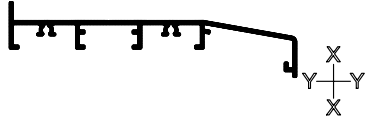





MF = MILL  
 SA = SATIN ANODISED  
 KL = STANDARD COLOURS  
 HP = SPECIAL COLOUR  
 WP = WHITE

A = OUTSIDE  
 B = INSIDE

## PROFILES

NUMBER	PICTURE	PAGE	PERIM. mm	MEC. mm	Ixx cm <sup>4</sup>	Iyy cm <sup>4</sup>	LENGTH	PACK PR.	MF	SA	KL	HP	WP
SH037		A35	240	160	17,37	19,85	6,5	1	X	X	X	X	X
SH038		A38	303,5	223	17,60	32,71	6,5	2	X	X	X	X	X
SH039		A36	275,5	195	16,99	28,17	6,5	2	X	X	X	X	X
SH040		A36	256	175	16,57	27,01	6,5	2	X	X	X	X	X
SH050		A20	770	184	142,16	50,61	6,5	5	X	X	X	X	X
SH055		A28	629	172	88,31	27,1	6,5	5	X	X	X	X	X
SH056		A24	369	13	51,32	2,41	6,5	2	X	X	X	X	X

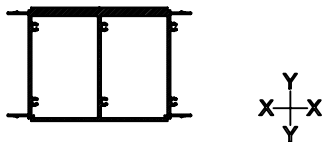
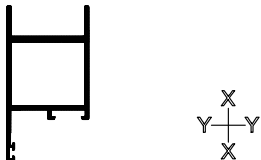

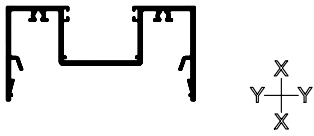
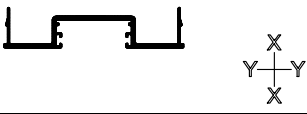
**PROFILES**

NUMBER	PICTURE	PAGE	PERIM. mm	MEC. mm	lxx cm4	lyy cm4	LENGTH	PACK PR.	MF	SA	KL	HP	WP
SH057		A30	573	211	-	-	6,5	5	X	X	X	X	X
SH060		A29	197	60	-	-	6,5	5	X	X	X	X	X
SH061		A29	253	68	-	-	6,5	5	X	X	X	X	X
SH070		A18	60	26	-	-	6,5	5	X	X	X	X	X
SH071		A18	84	23	-	-	6,5	5	X	X	X	X	X
SH112		A27	494	200	84,73	13,32	6,5	X	X	X	X	X	X

MF = MILL  
 SA = SATIN ANODISED  
 KL = STANDARD COLOURS  
 HP = SPECIAL COLOUR  
 WP = WHITE

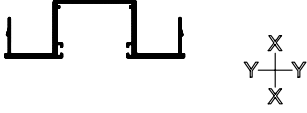
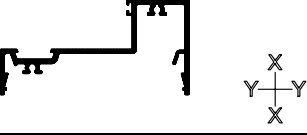
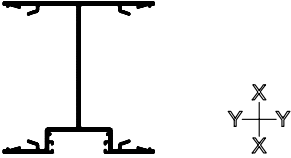


A = OUTSIDE  
 B = INSIDE

## PROFILES

NUMBER	PICTURE	PAGE	PERIM. mm	MEC. mm	lxx cm4	lyy cm4	LENGTH	PACK PR.	MF	SA	KL	HP	WP
SH113		A45	644	240	323	422	6,5	1	X	X	X	X	X
SH120		A39	323	147	15,38	22,21	6,5	5	X	X	X	X	X
SH151		A21	569	136	68,12	5,92	6,5	5	X	X	X	X	X
SH212		A22	641	171	90,98	14,1	6,5	5	X	X	X	X	X
SH214		A23	360	63	30,26	1,51	6,5	5	X	X	X	X	X




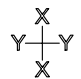

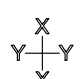

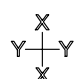

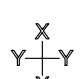

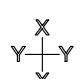
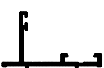
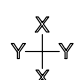
**PROFILES**

NUMBER	PICTURE	PAGE	PERIM. mm	MEC. mm	Ixx cm <sup>4</sup>	Iyy cm <sup>4</sup>	LENGTH	PACK PR.	MF	SA	KL	HP	WP
SH216		A23	418	63	33,03	5,68	6,5	5	X	X	X	X	X
SH218		A24	507	120	68,72	9,63	6,5	5	X	X	X	X	X
SH250		A25	746	168	140,32	51,8	6,5	5	X	X	X	X	X
SH251		A26	573	120	72,09	6,79	6,5	5	X	X	X	X	X
SH261		A29	221	261	-	-	6,5	5	X	X	X	X	X



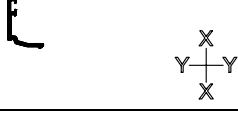


MF = MILL  
 SA = SATIN ANODISED  
 KL = STANDARD COLOURS  
 HP = SPECIAL COLOUR  
 WP = WHITE

A = OUTSIDE  
 B = INSIDE

## PROFILES

NUMBER	PICTURE	PAGE	PERIM. mm	MEC. mm	lxx cm4	lyy cm4	LENGTH	PACK PR.	MF	SA	KL	HP	WP
SH270	 	A23	92	42	-	-	6,5	5	X	X	X	X	X
SH271	 	A23	116	39	-	-	6,5	5	X	X	X	X	X
SH410	 	A30	308	113	-	-	6,5	5	X				
SH411	 	A30	289	126	-	-	6,5	1	X				
SH413	 	A30	326	122	-	-	6,5	1	X				
SH600	 	A43	223,5	94	-	-	6,5	5	X	X	X	X	X

**PROFILES**

NUMBER	PICTURE	PAGE	PERIM. mm	MEC. mm	lxx cm4	lyy cm4	LENGTH	PACK PR.	MF	SA	KL	HP	WP
SH601		A43	214,1	51	-	-	6,5	5	X	X	X	X	X
SH610		A42	89	29	-	-	6,5	5	X	X	X	X	X
SH611		A42	101,5	27	-	-	6,5	10	X	X	X	X	X
SH630		A42	157	43	-	-	6,5	5	X	X	X	X	X
VG12		A44	110	29	-	-	6,5	5	X	X	X	X	

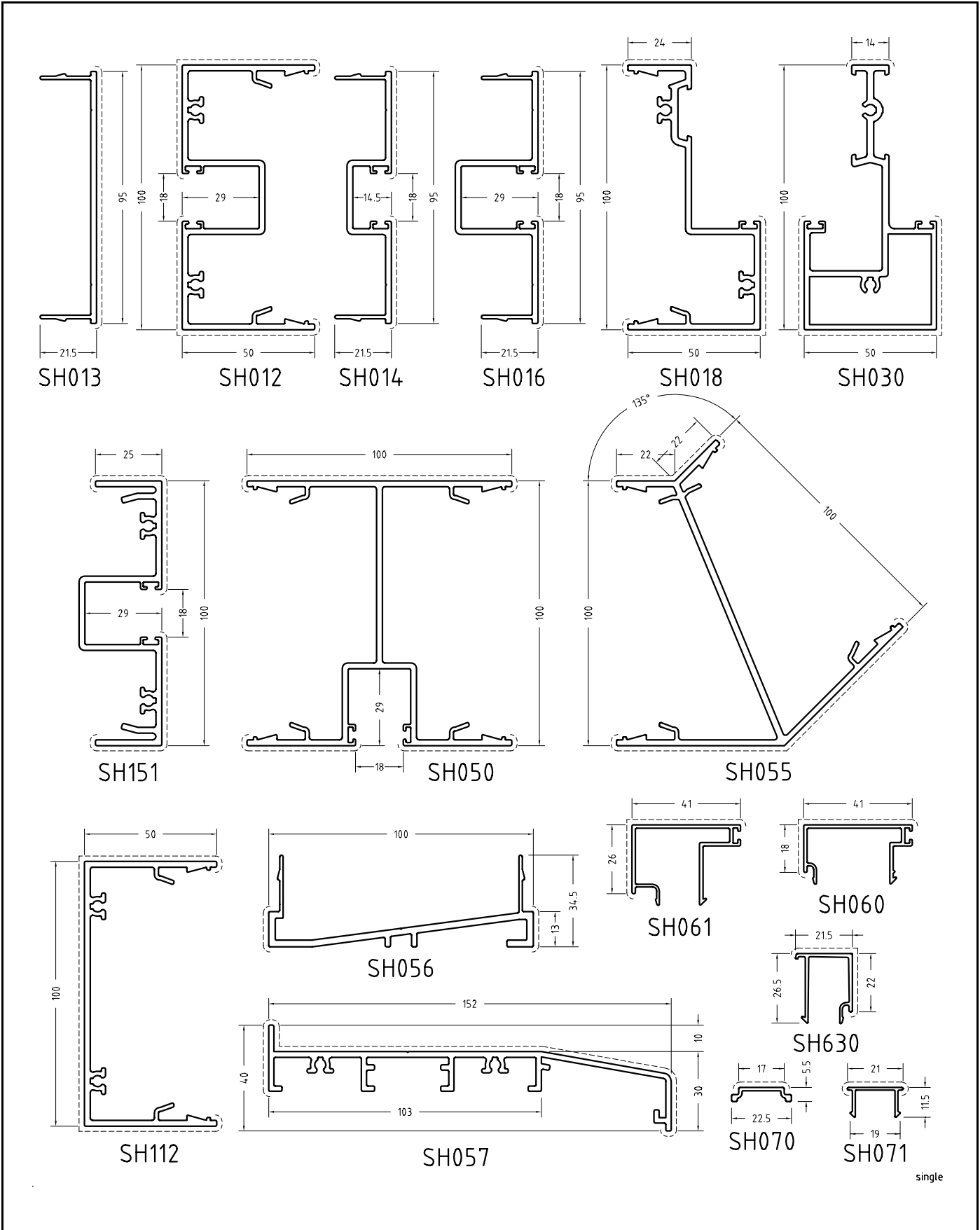
MF = MILL  
 SA = SATIN ANODISED  
 KL = STANDARD COLOURS  
 HP = SPECIAL COLOUR  
 WP = WHITE

A = OUTSIDE  
 B = INSIDE



## PROFILES

--- Primary visible side      --- Secondary visible side      SINGLE GLAZING



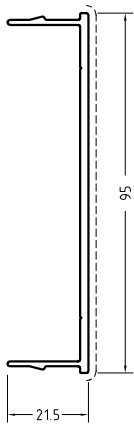
single

PROFILES

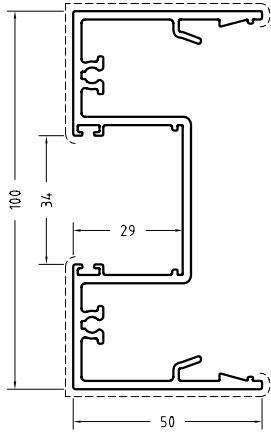
Primary visible side

Secondary visible side

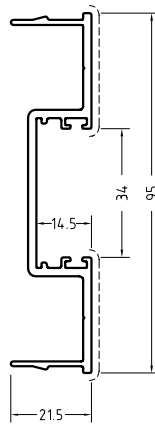
DOUBLE GLAZING



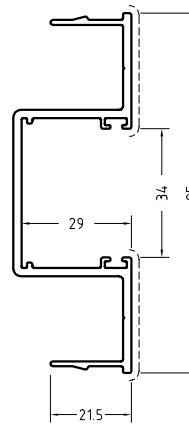
SH013



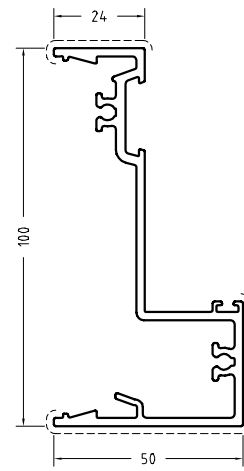
SH212



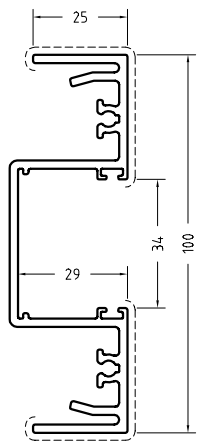
SH214



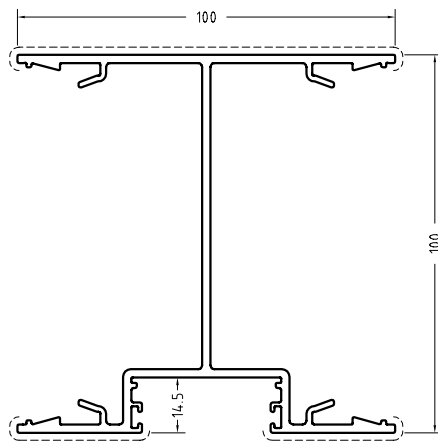
SH216



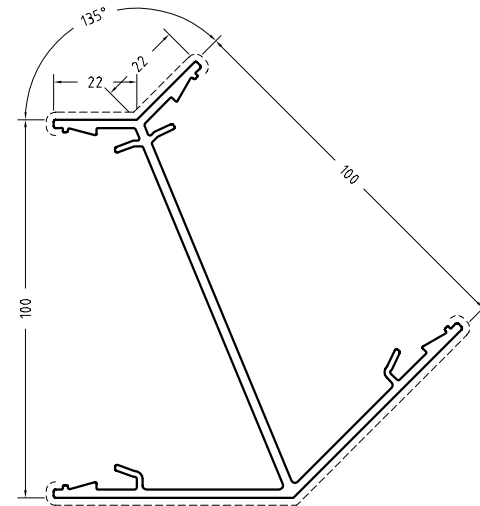
SH218



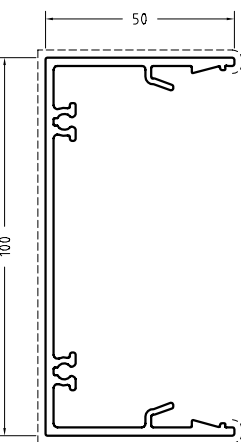
SH251



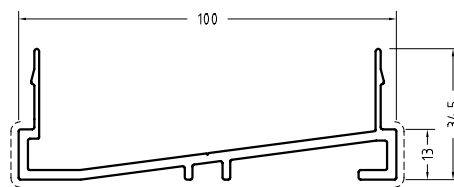
SH250



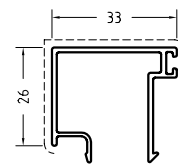
SH055



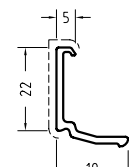
SH112



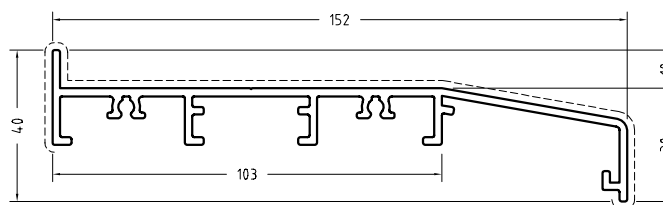
SH056



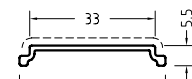
SH261



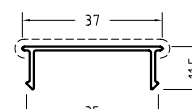
SH610



SH057



SH270

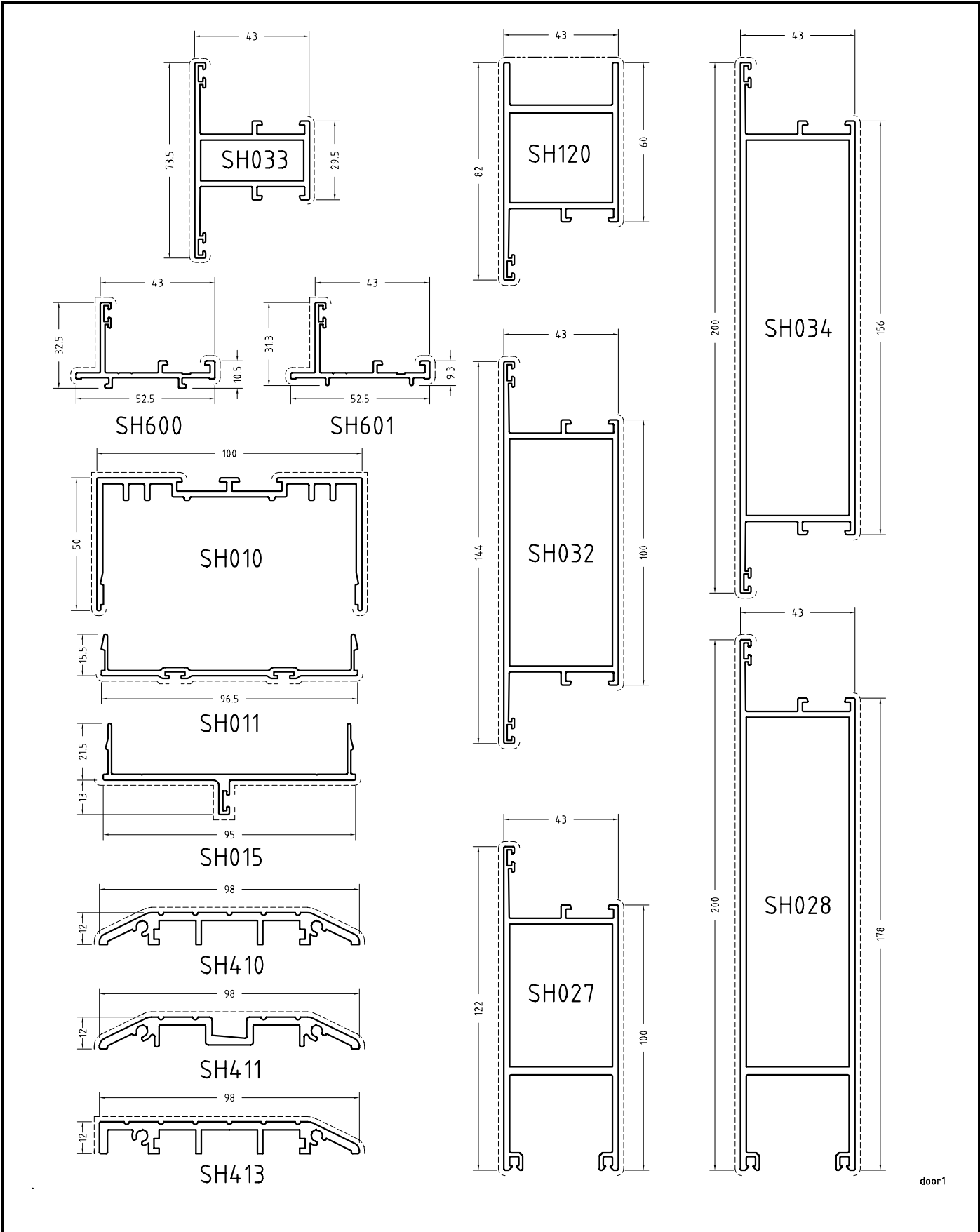


SH271

double

## PROFILES

--- Primary visible side      --- Secondary visible side      FOR DOORS



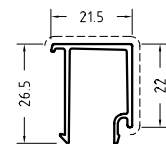
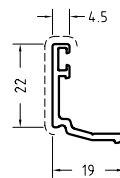
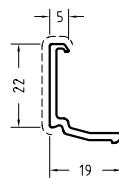
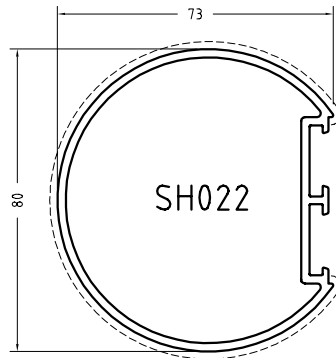
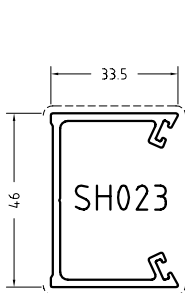
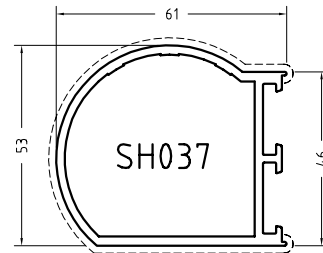
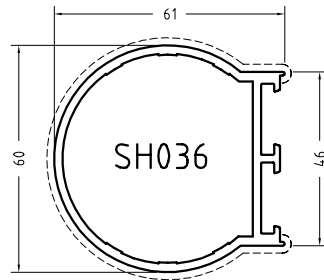
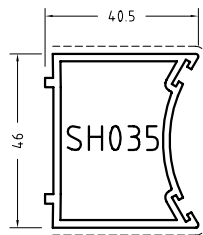
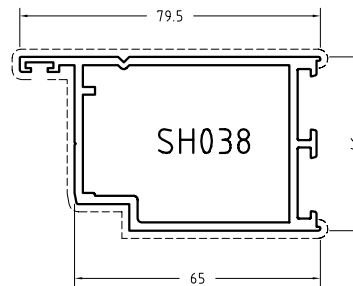
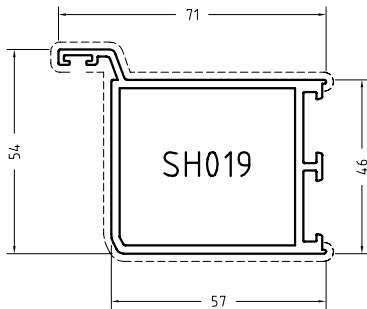
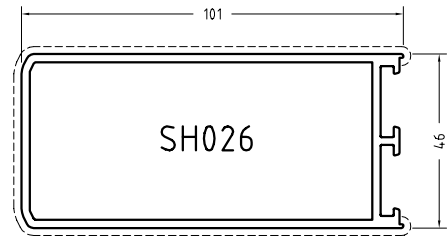
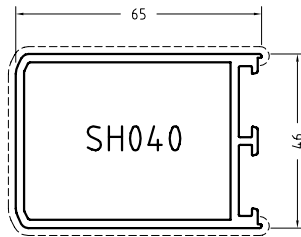
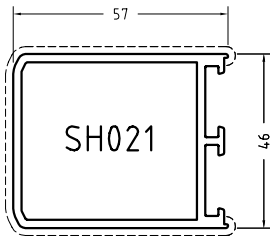
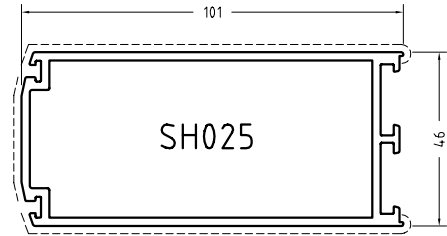
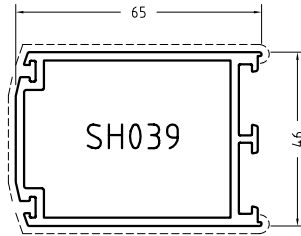
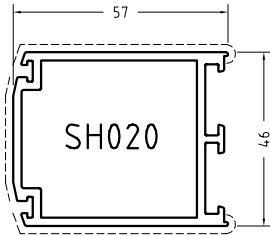
door1

PROFILES

--- Primary visible side

--- Secondary visible side

FOR DOORS

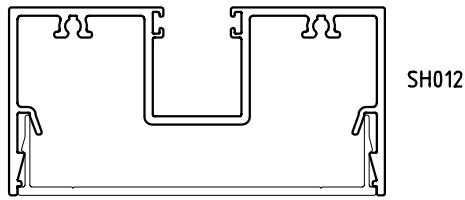
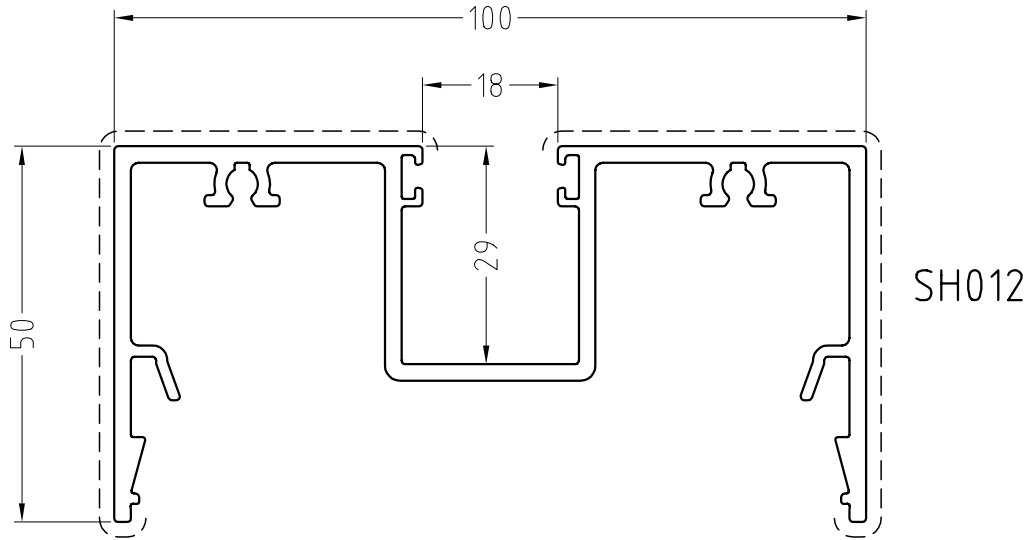


door2

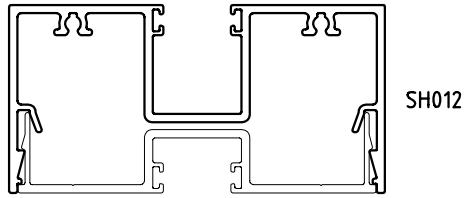


**PROFILES**

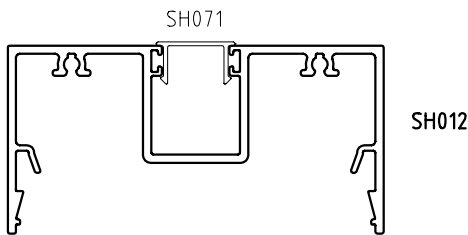
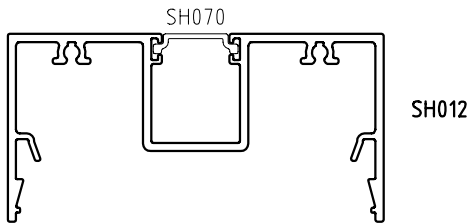
----- Primary visible side                      ----- Secondary visible side



SH013



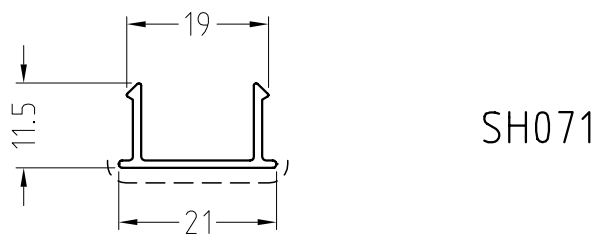
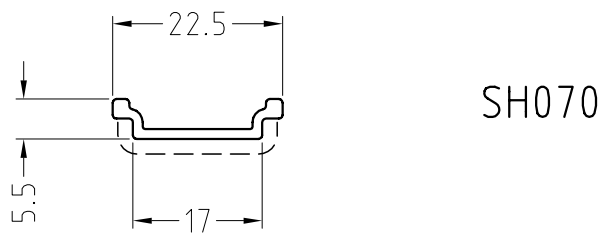
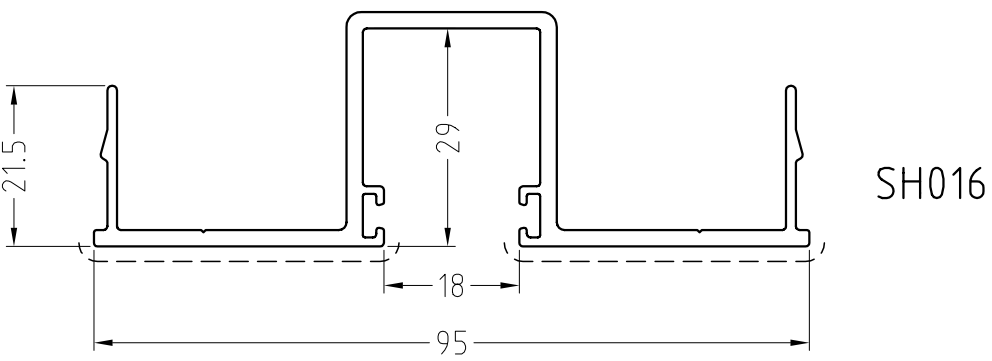
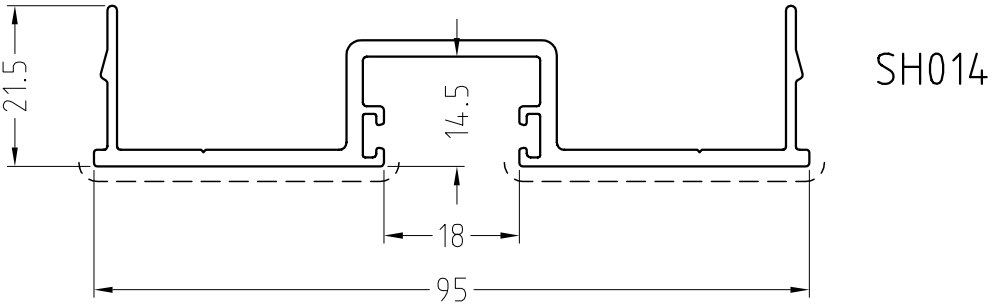
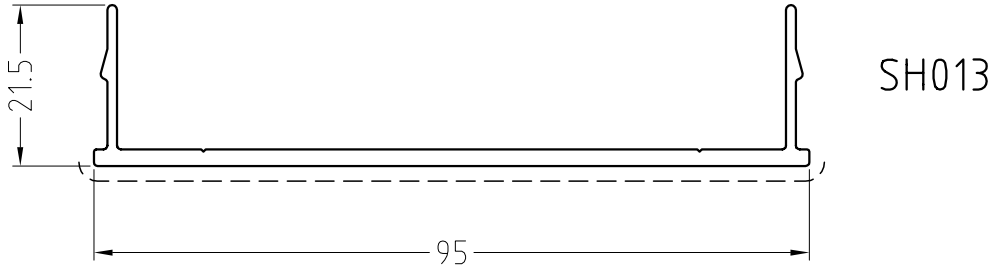
SH014



pag\_a02

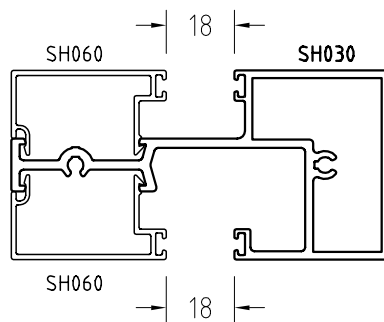
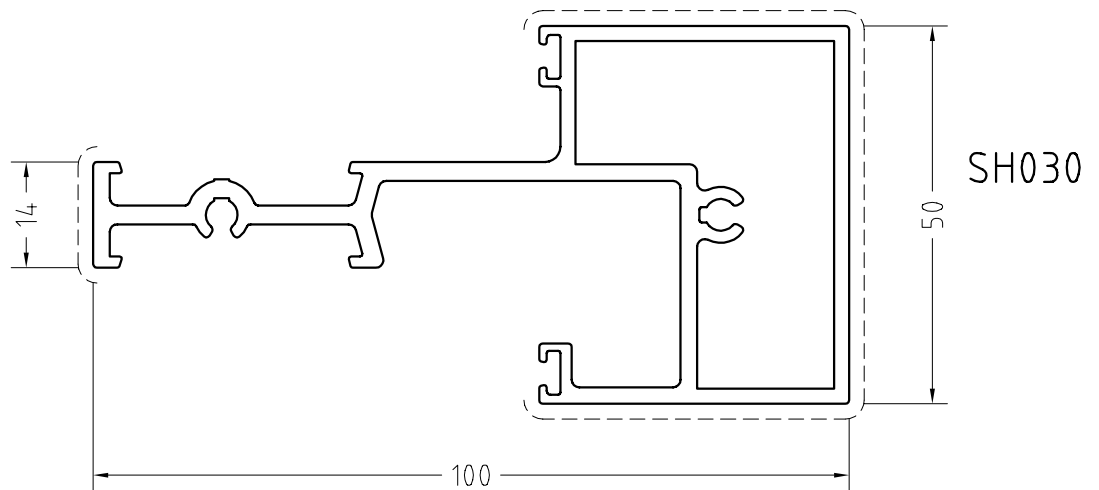
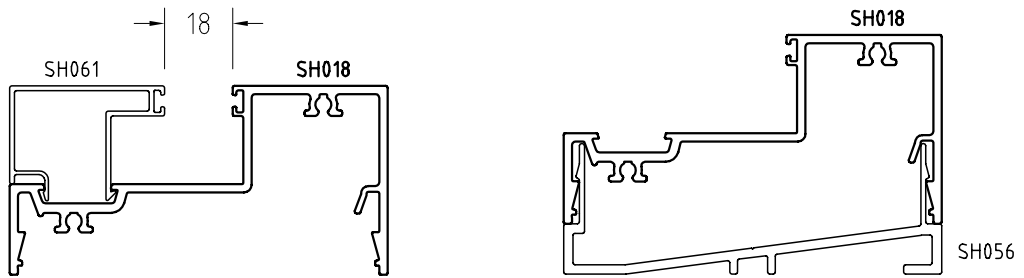
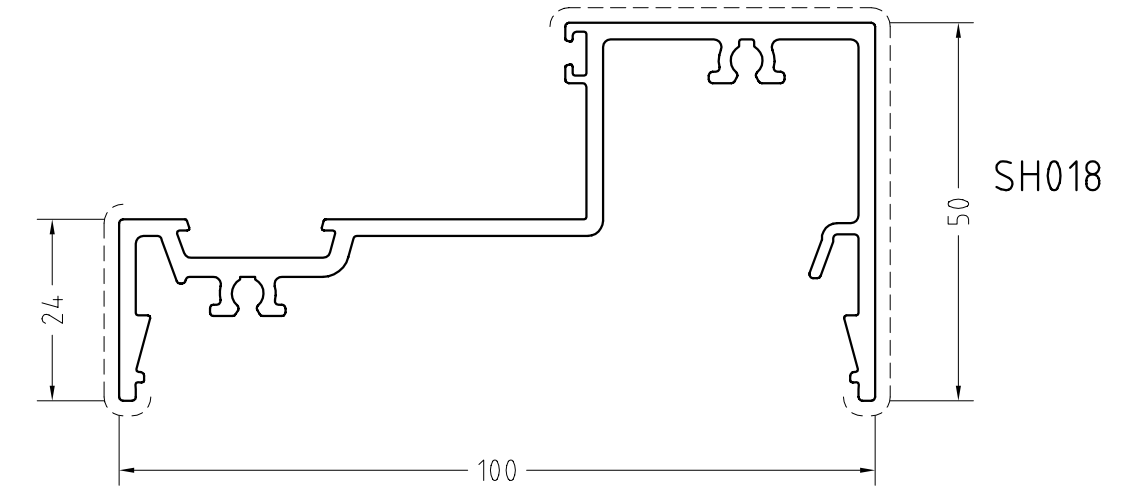
PROFILES

----- Primary visible side                      ----- Secondary visible side



## PROFILES

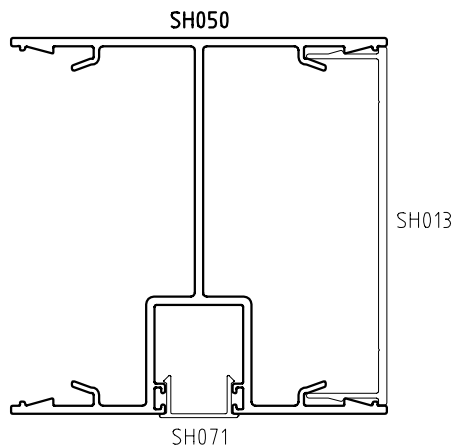
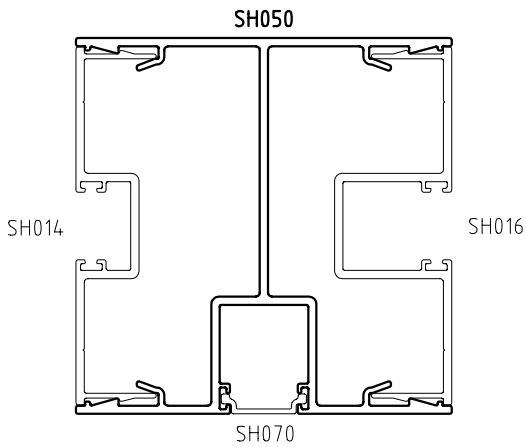
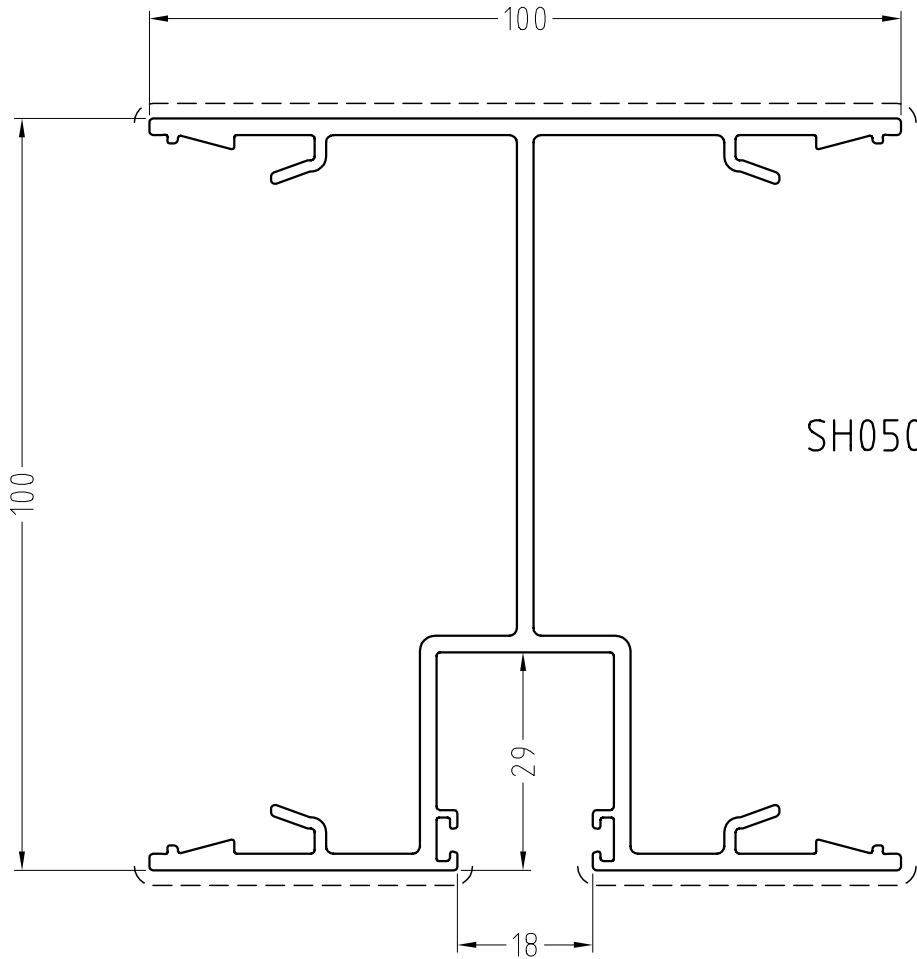
----- Primary visible side                      ----- Secondary visible side



pag\_a10A

PROFILES

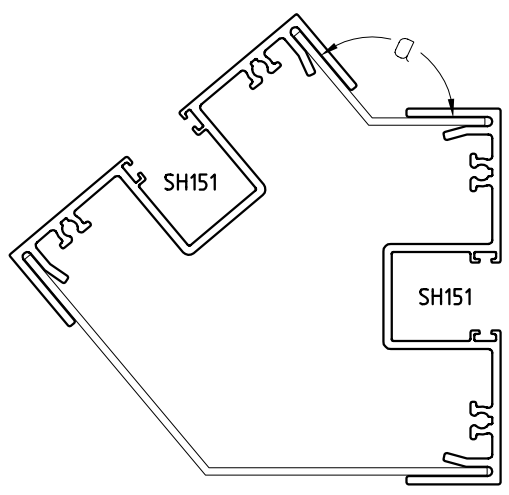
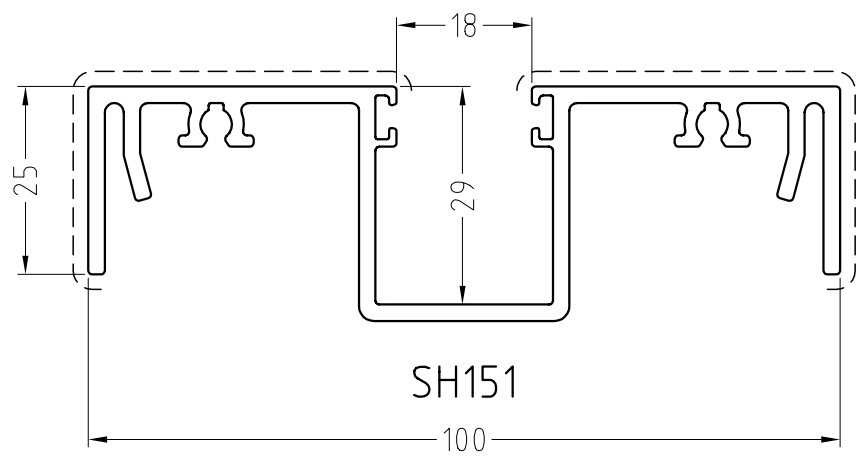
--- Primary visible side      --- Secondary visible side



pag\_a03

**PROFILES**

----- Primary visible side                      ----- Secondary visible side

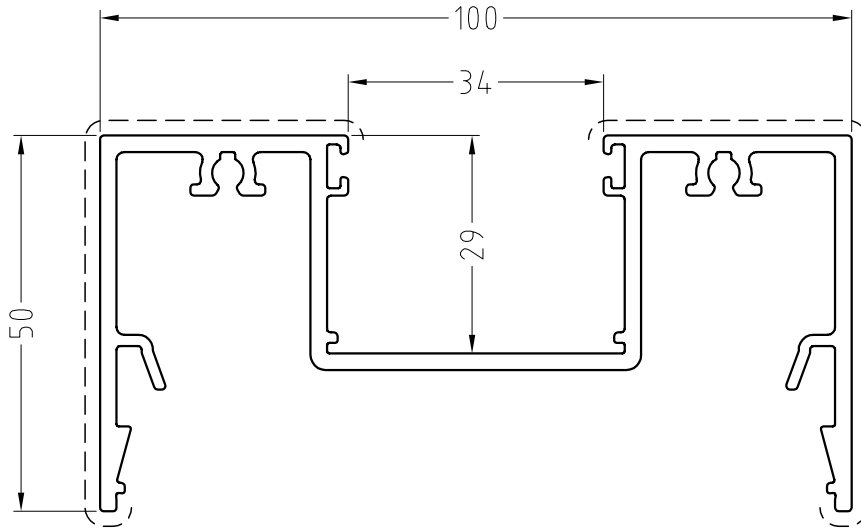


$$95^\circ < \alpha < 175^\circ$$

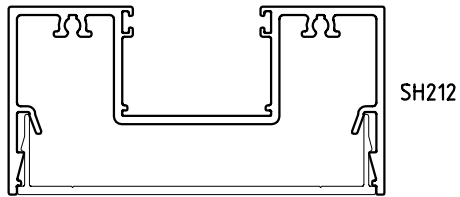
PROFILES

----- Primary visible side

----- Secondary visible side

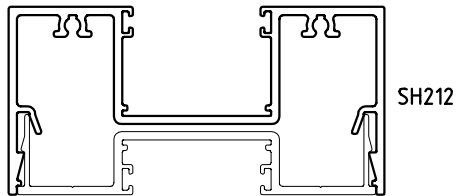


SH212



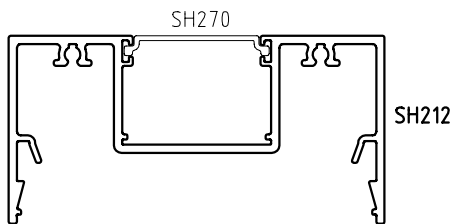
SH212

SH013



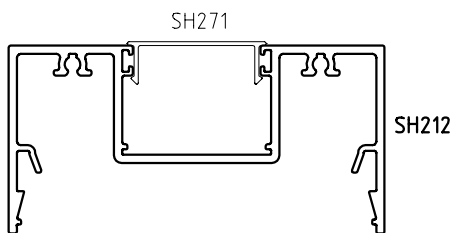
SH212

SH214



SH270

SH212



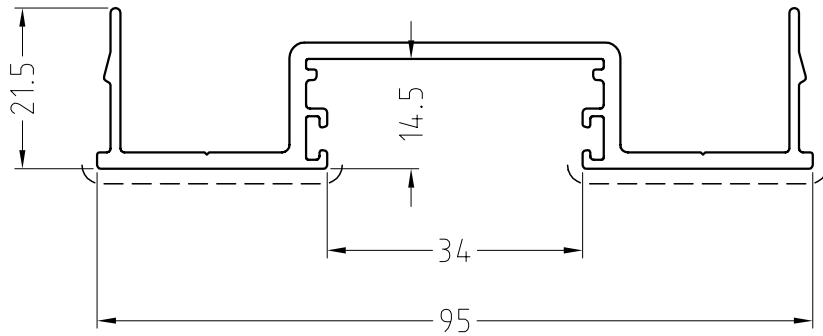
SH271

SH212

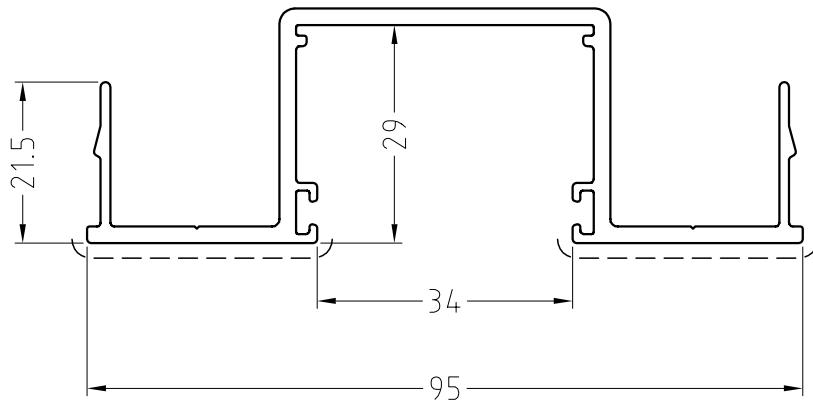
pag\_a05

**PROFILES**

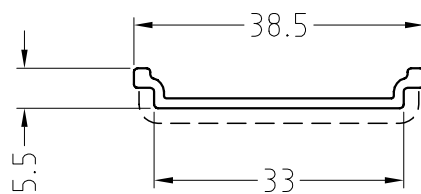
----- Primary visible side                      ----- Secondary visible side



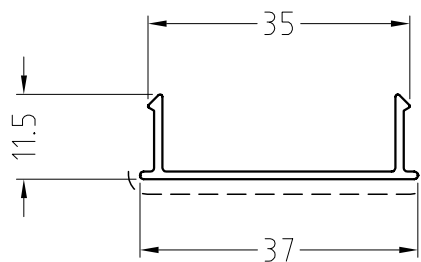
SH214



SH216



SH270

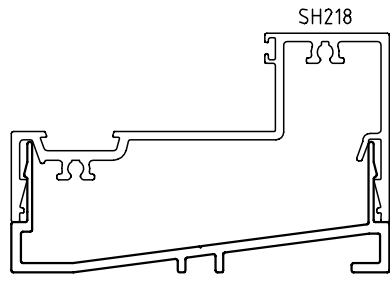
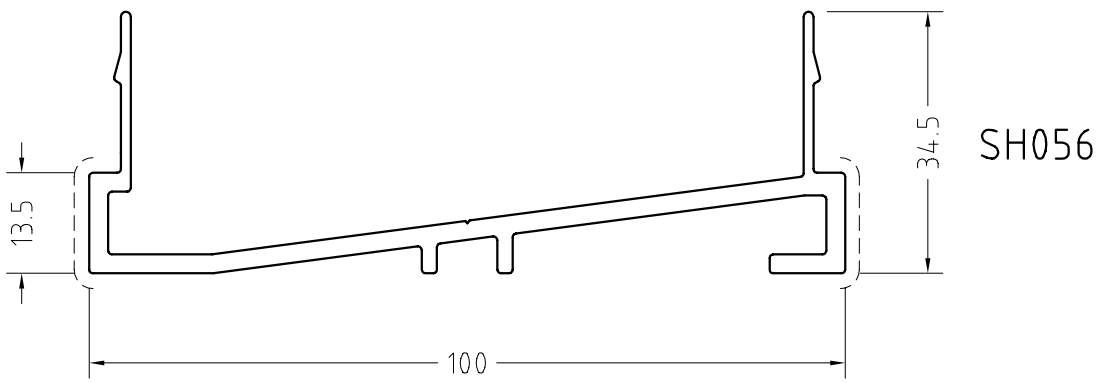
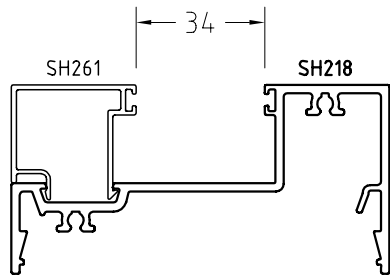
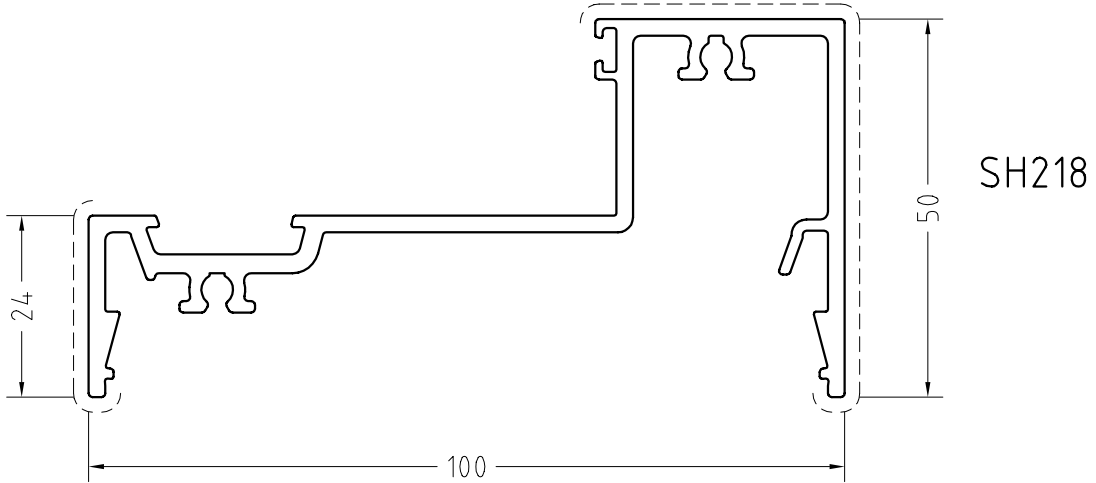


SH271

pag\_a07

PROFILES

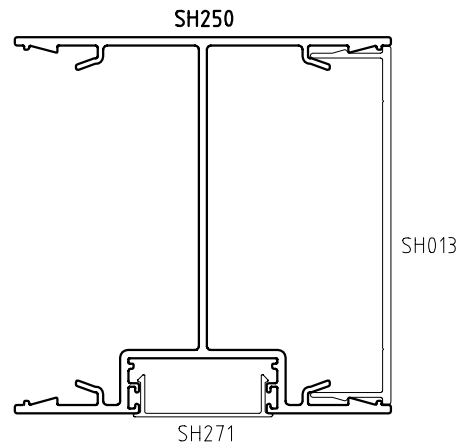
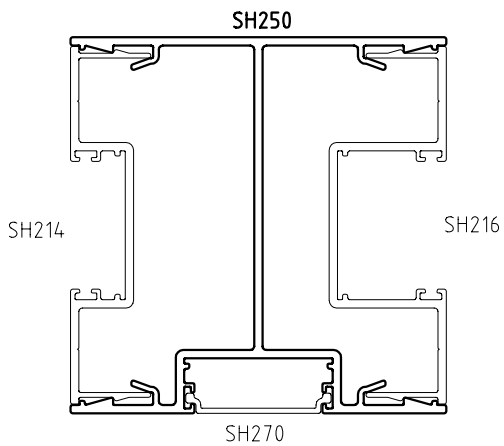
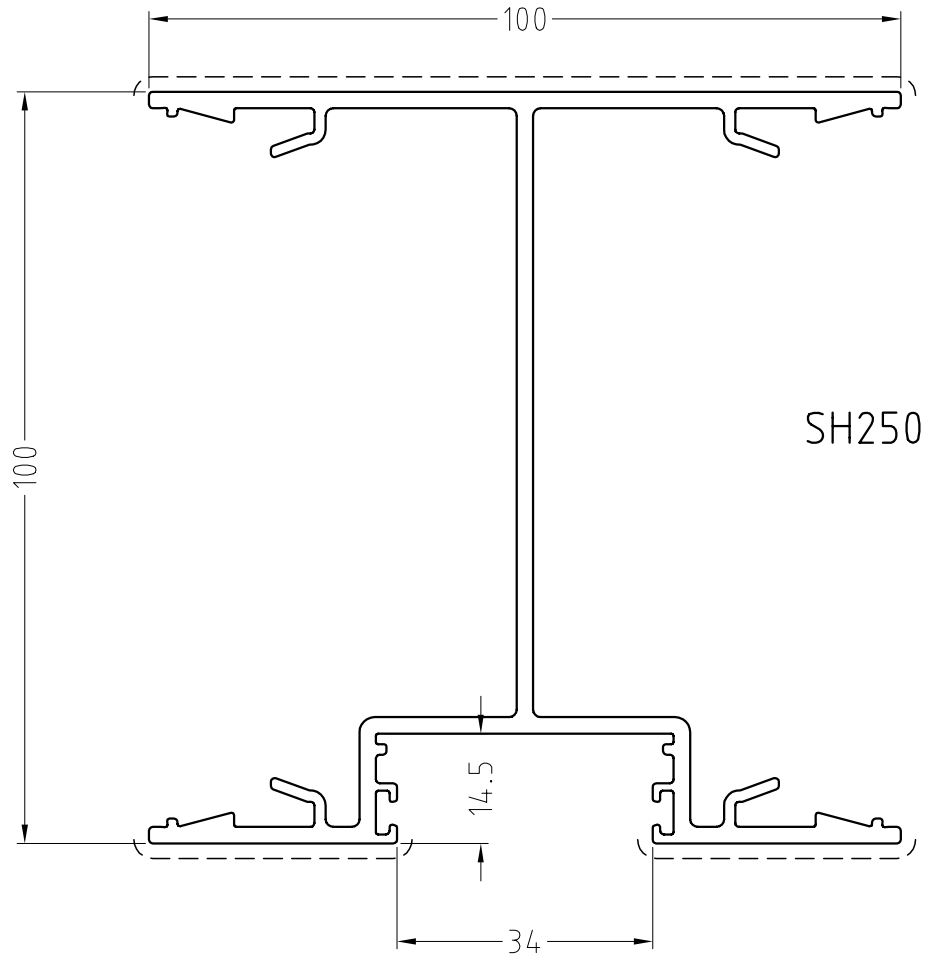
----- Primary visible side                      ----- Secondary visible side





**PROFILES**

----- Primary visible side      ----- Secondary visible side

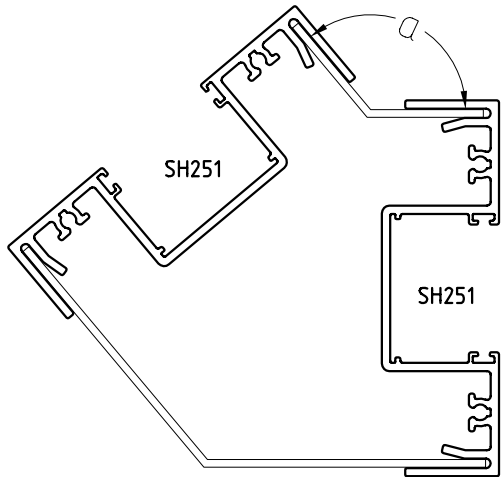
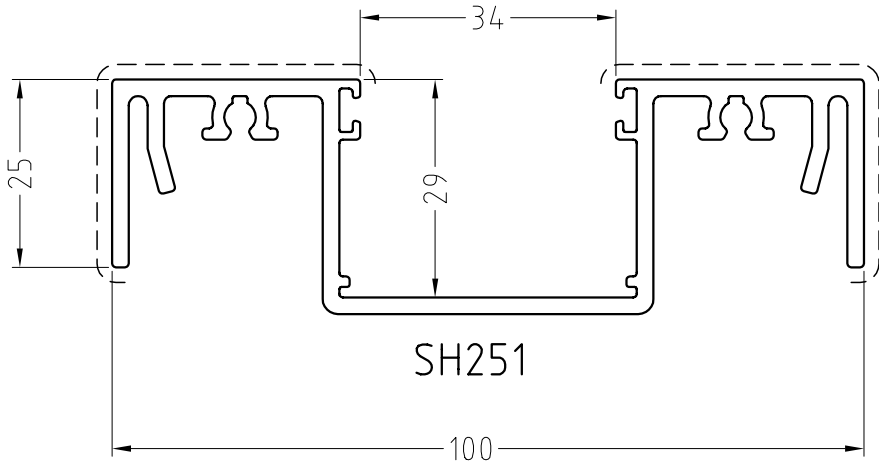


pag\_a06

PROFILES

----- Primary visible side

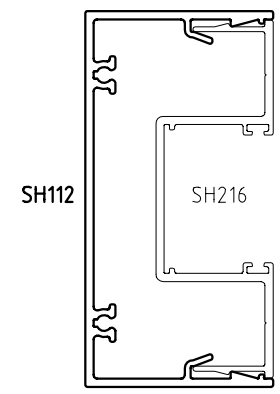
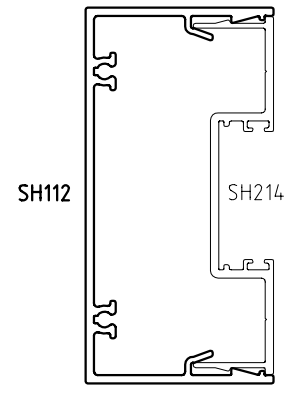
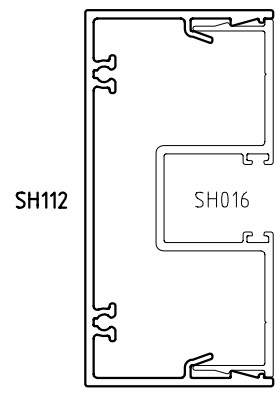
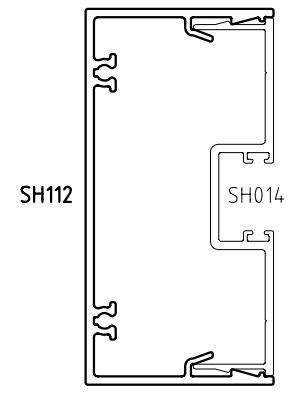
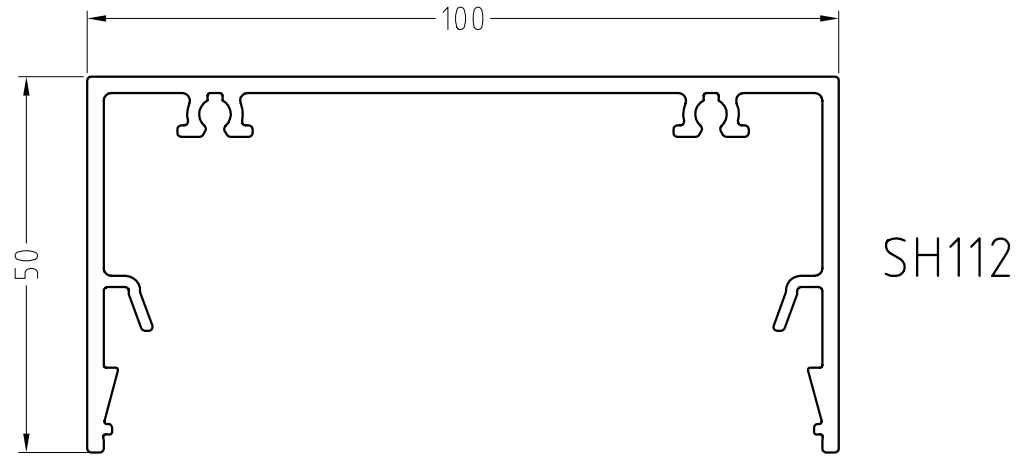
----- Secondary visible side



$95^\circ < \alpha < 175^\circ$

**PROFILES**

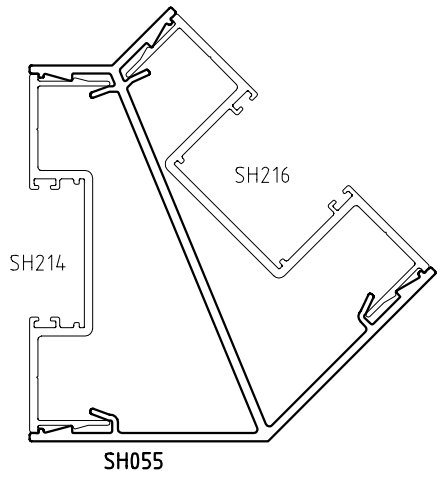
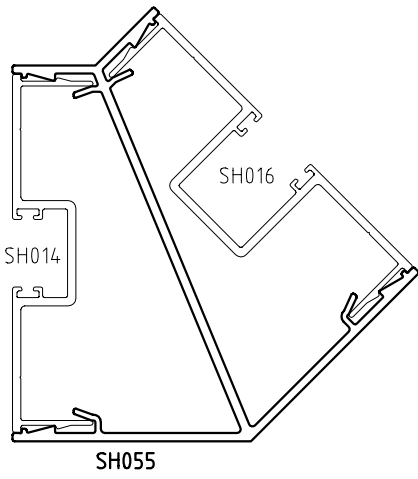
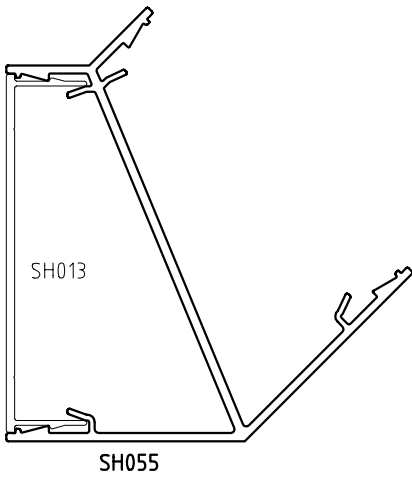
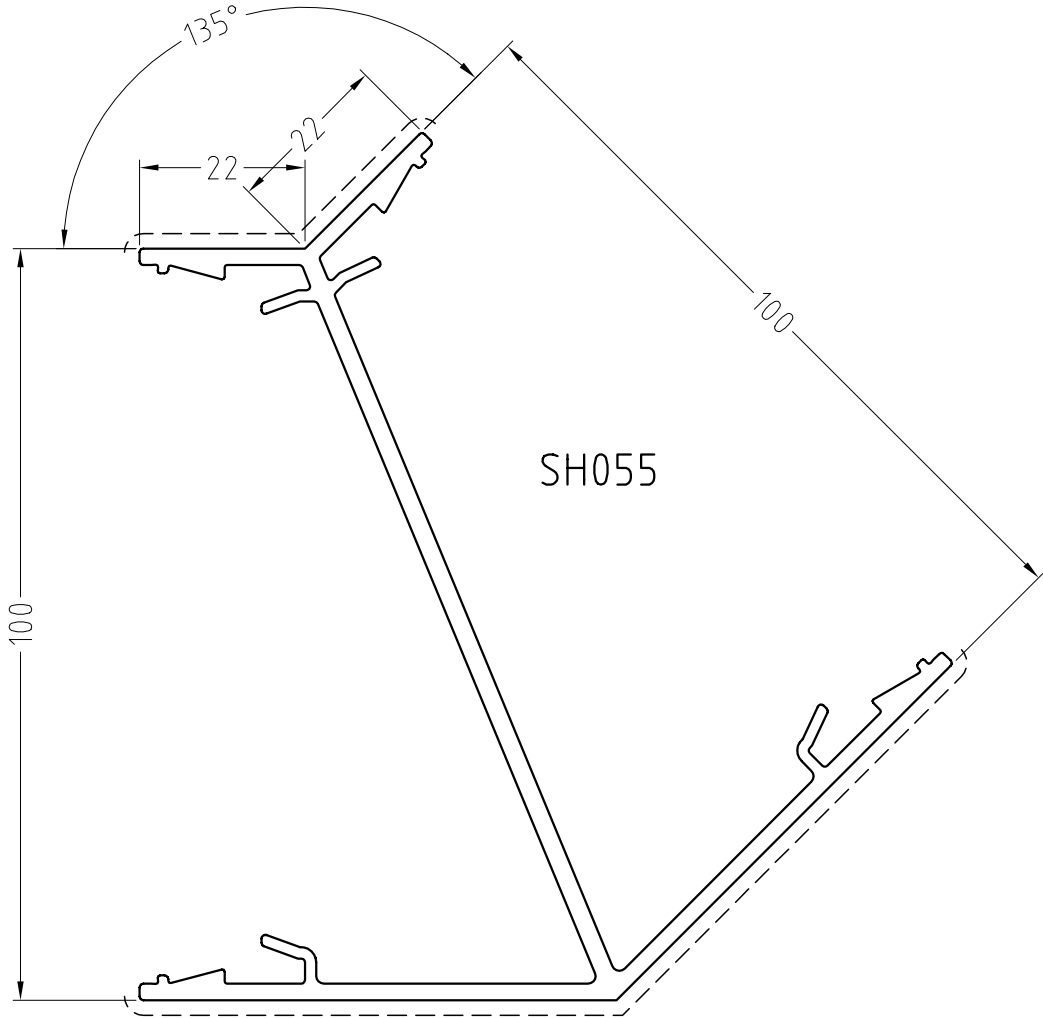
----- Primary visible side      ----- Secondary visible side



pag\_a20

PROFILES

--- Primary visible side      --- Secondary visible side

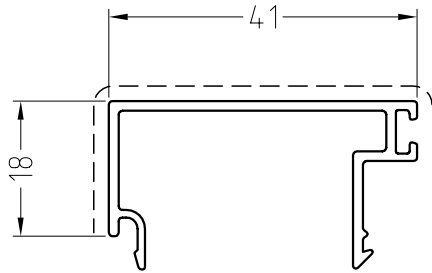


pag\_a08

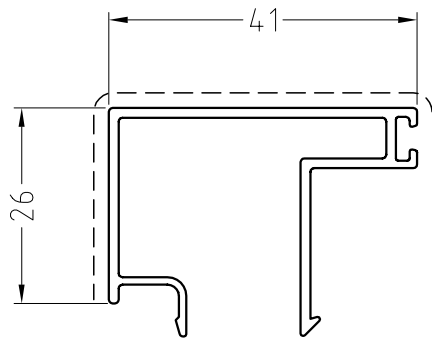
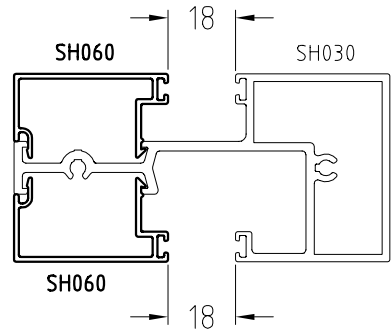
## PROFILES

----- Primary visible side

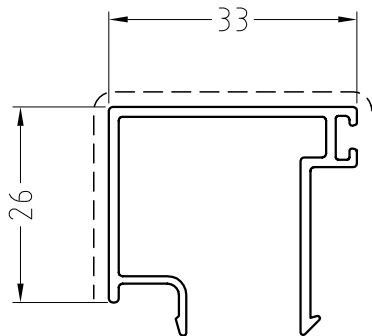
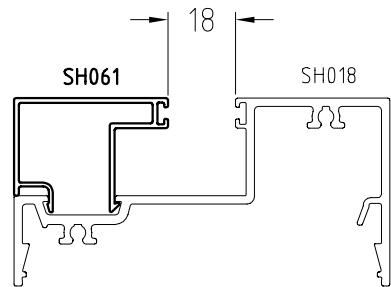
----- Secondary visible side



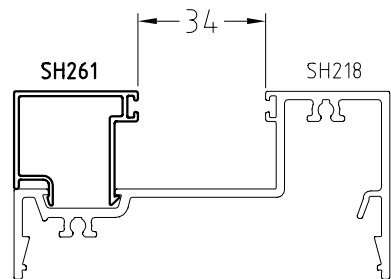
SH060



SH061



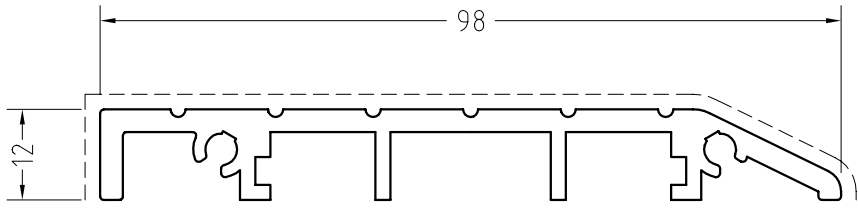
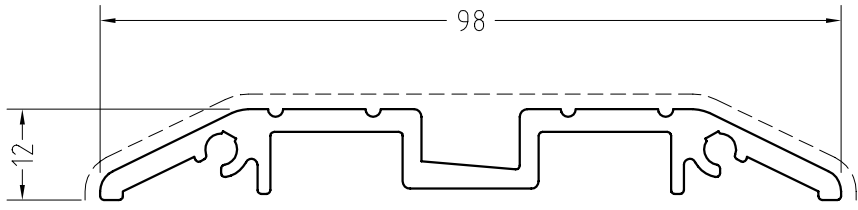
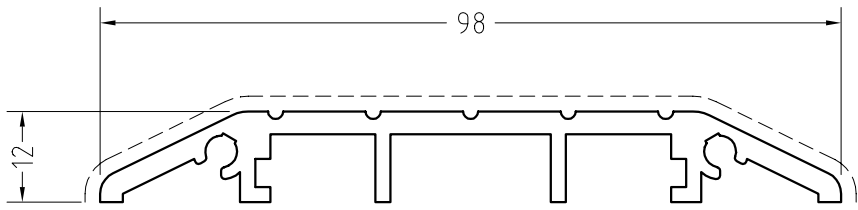
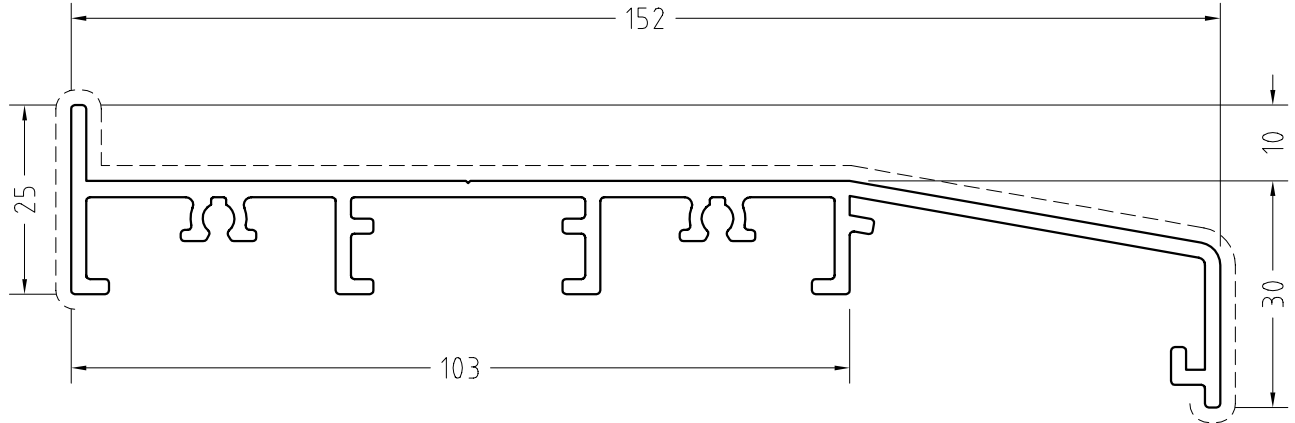
SH261



pag\_a11

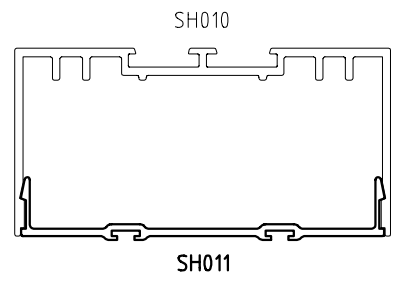
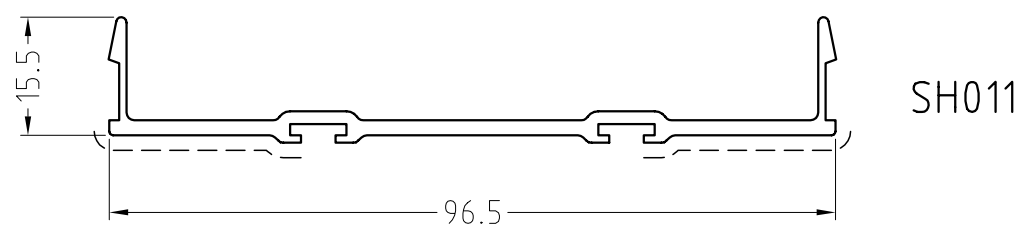
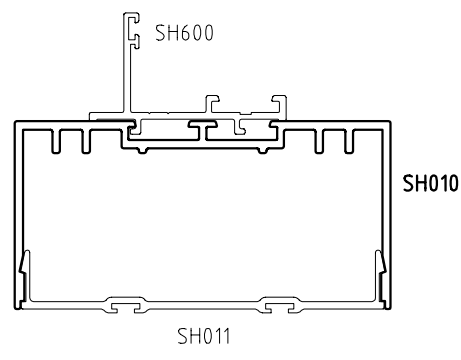
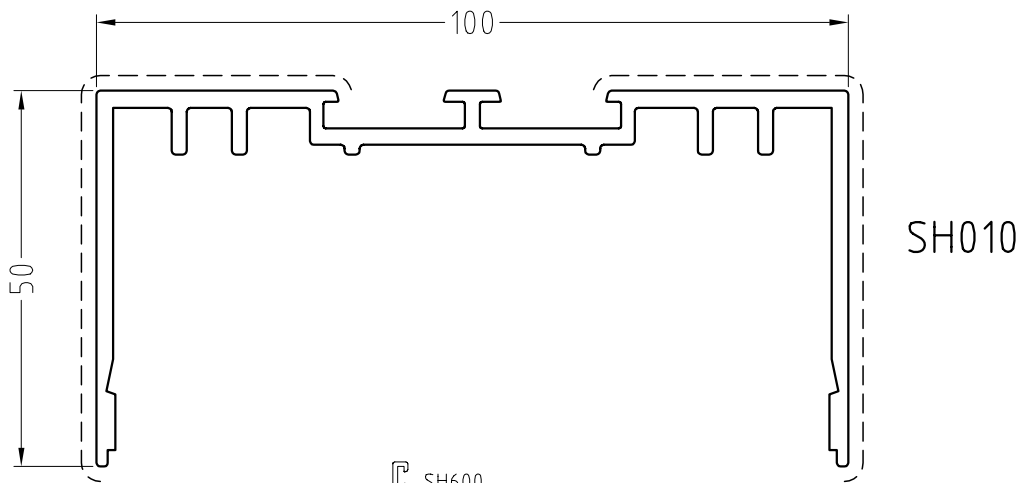
PROFILES

--- Primary visible side      --- Secondary visible side



**PROFILES**

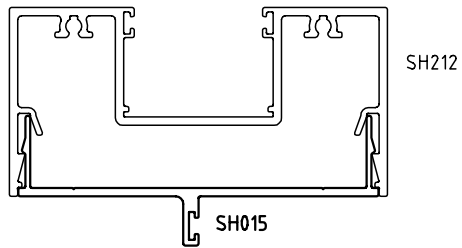
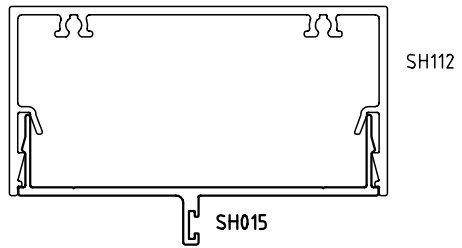
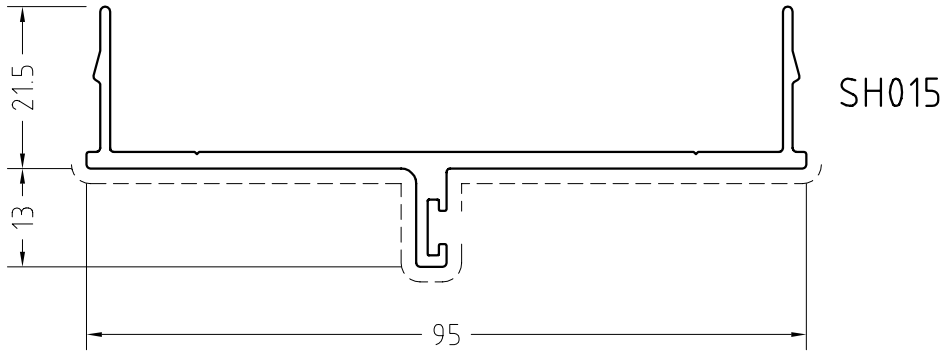
--- Primary visible side      --- Secondary visible side



PROFILES

----- Primary visible side

----- Secondary visible side

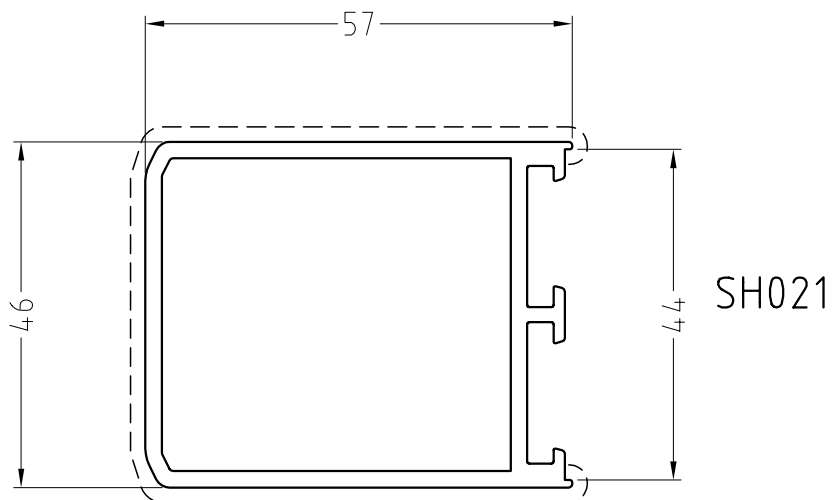
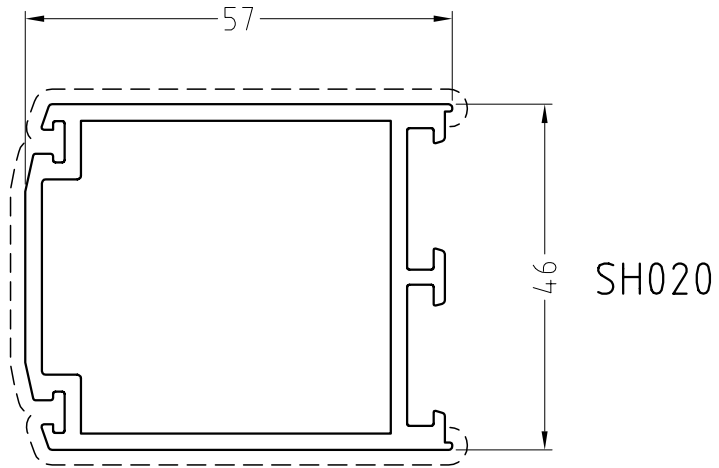




## PROFILES

----- Primary visible side

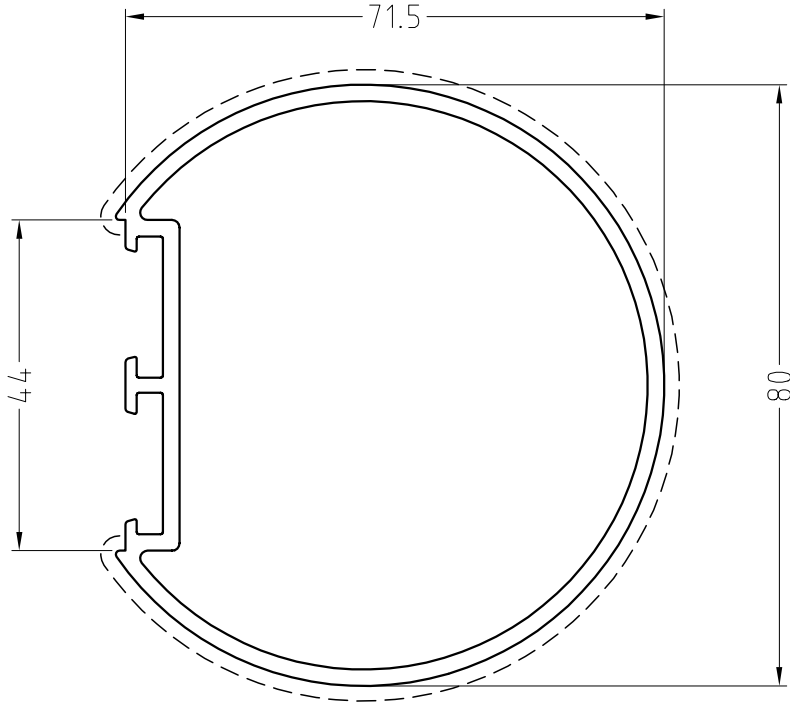
----- Secondary visible side



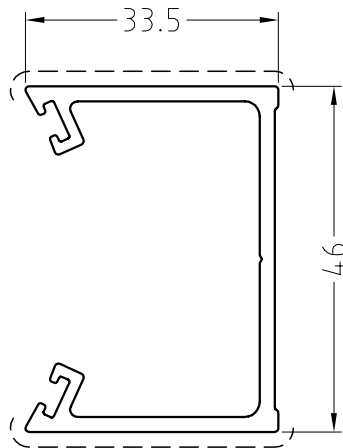
PROFILES

----- Primary visible side

----- Secondary visible side



SH022

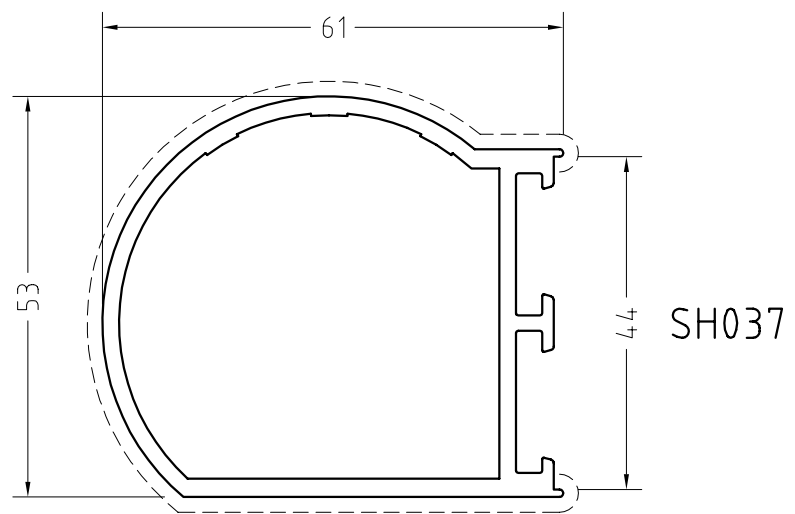
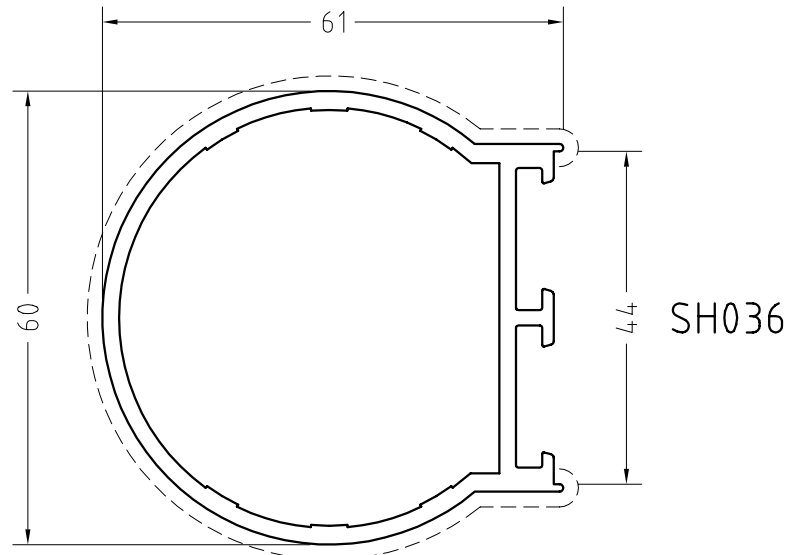
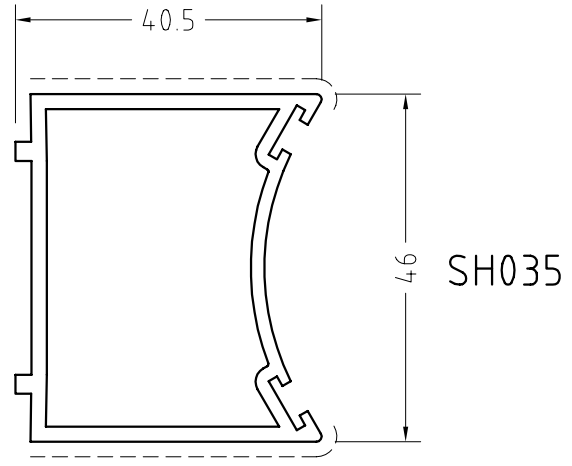


SH023

pag\_a23

PROFILES

----- Primary visible side      ----- Secondary visible side

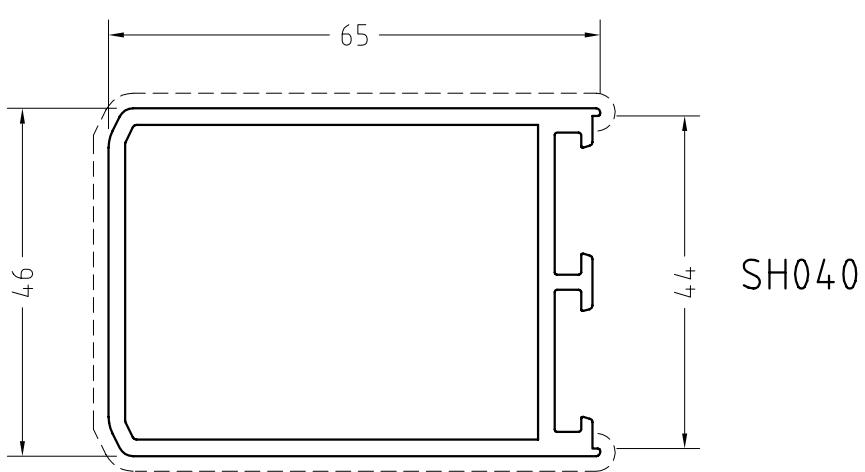
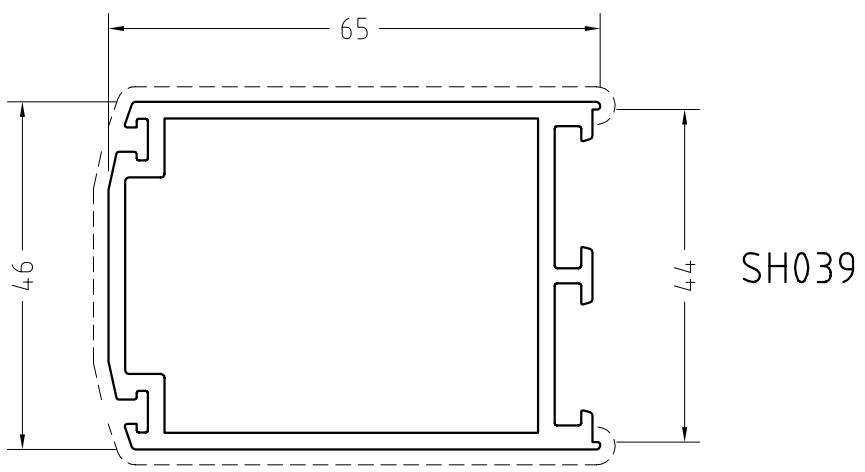


pag\_a26

PROFILES

----- Primary visible side

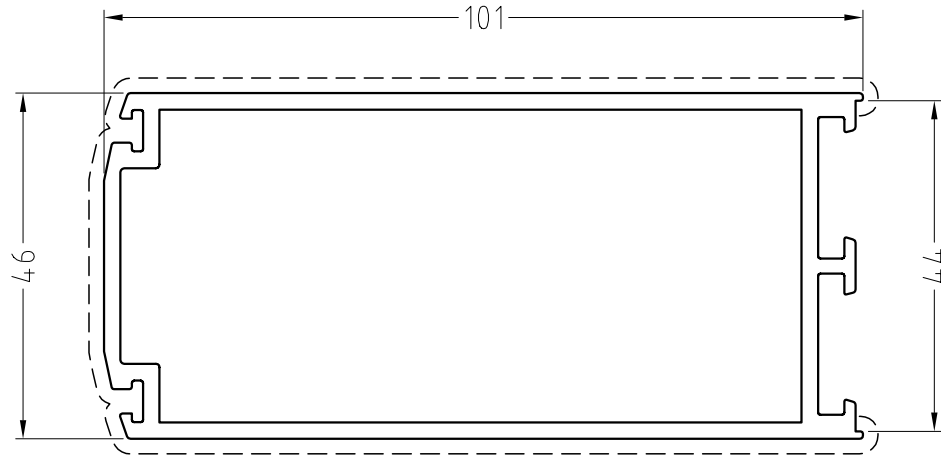
----- Secondary visible side



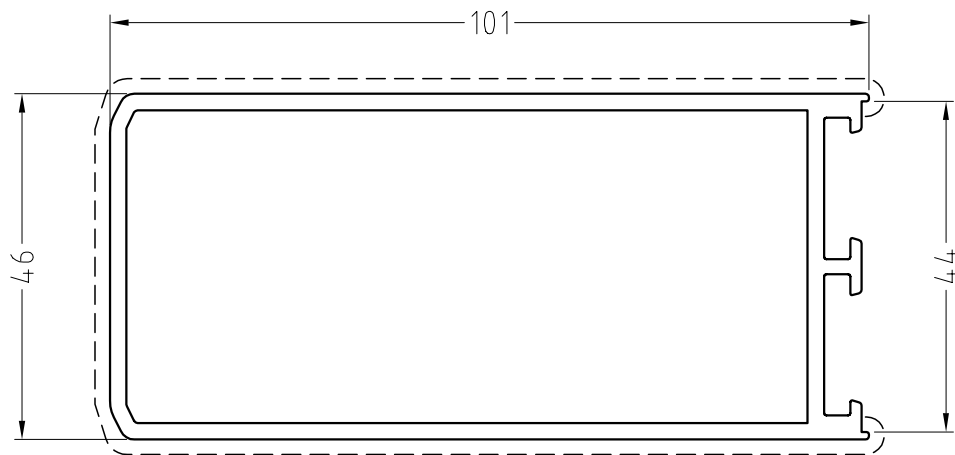
**PROFILES**

- - - - - Primary visible side

- - - - - Secondary visible side



SH025



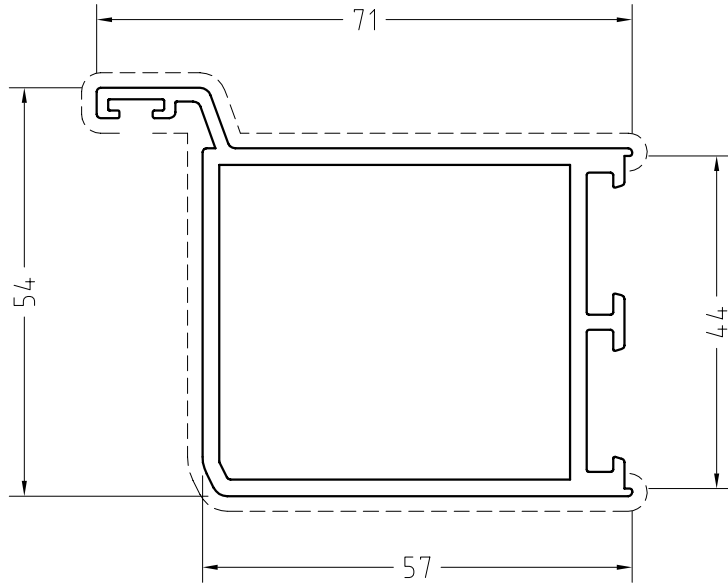
SH026

pag\_a24

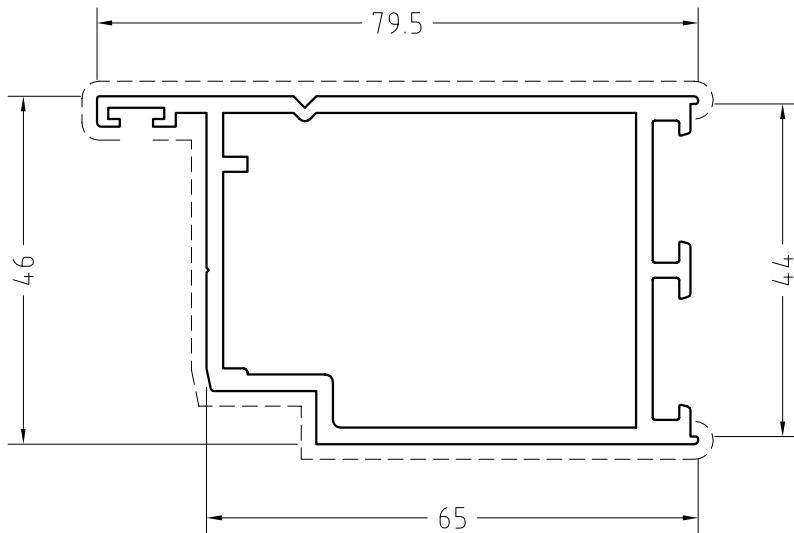
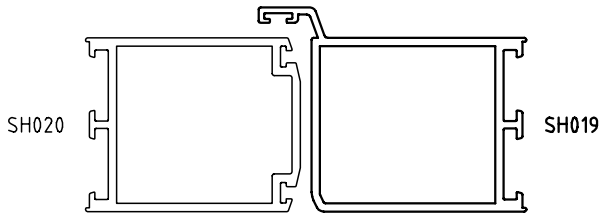
PROFILES

----- Primary visible side

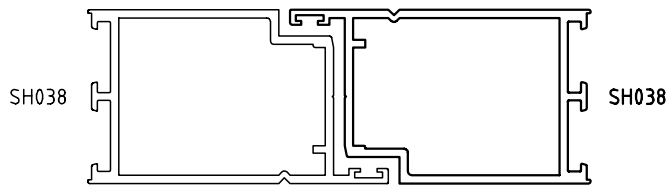
----- Secondary visible side



SH019

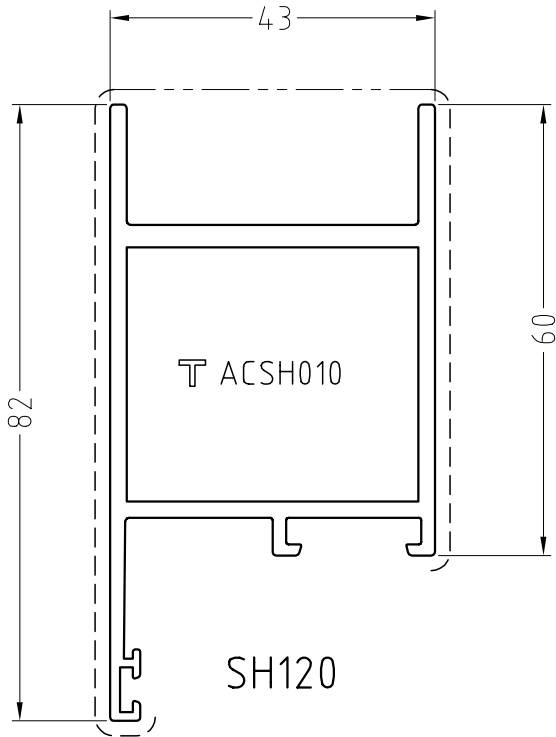


SH038

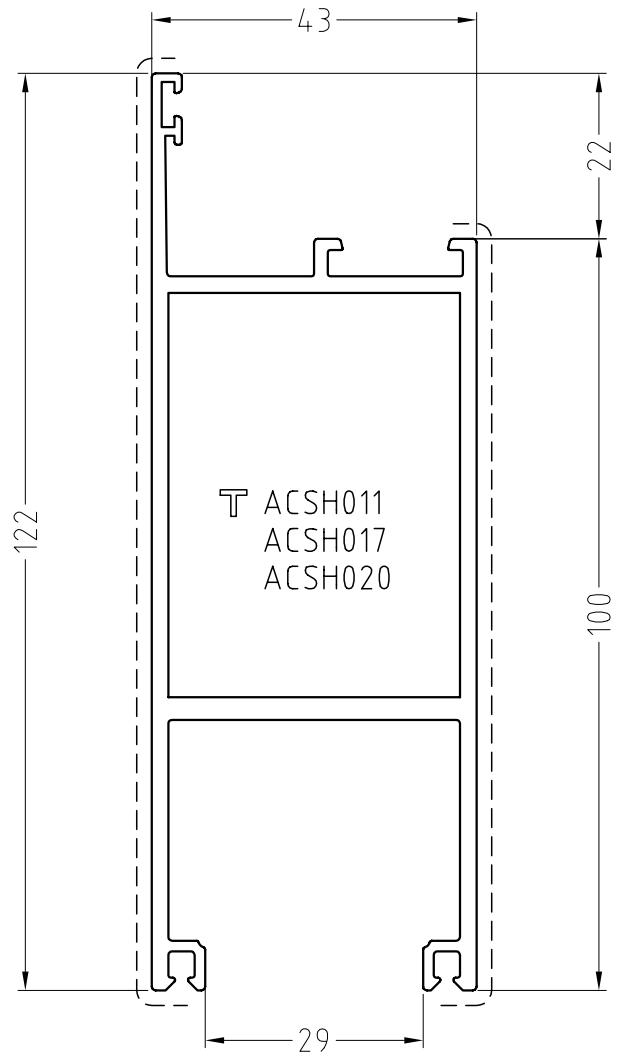


**PROFILES**

----- Primary visible side      ----- Secondary visible side



SH120



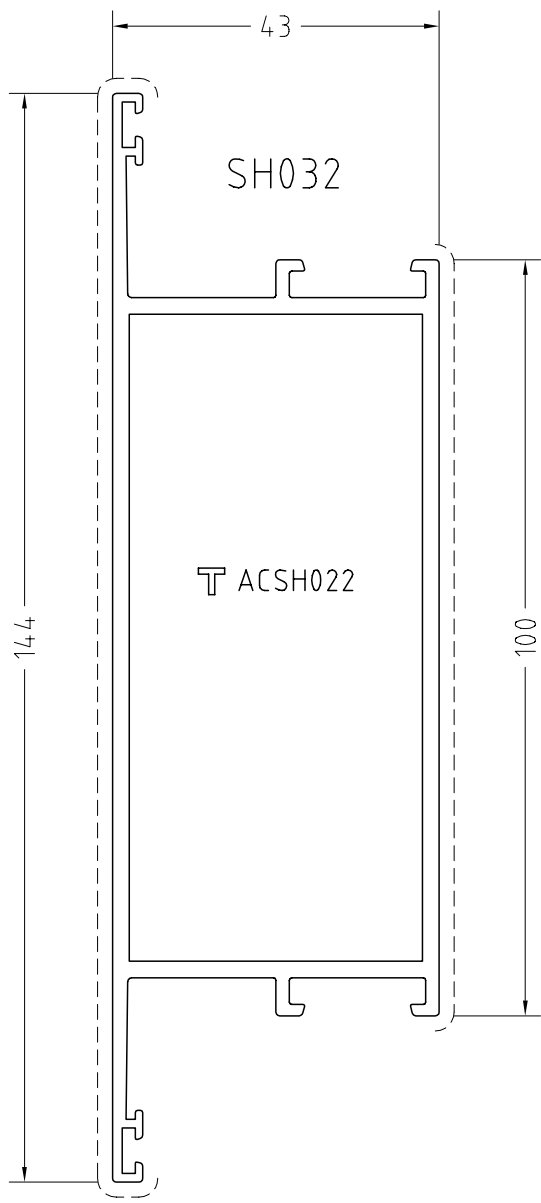
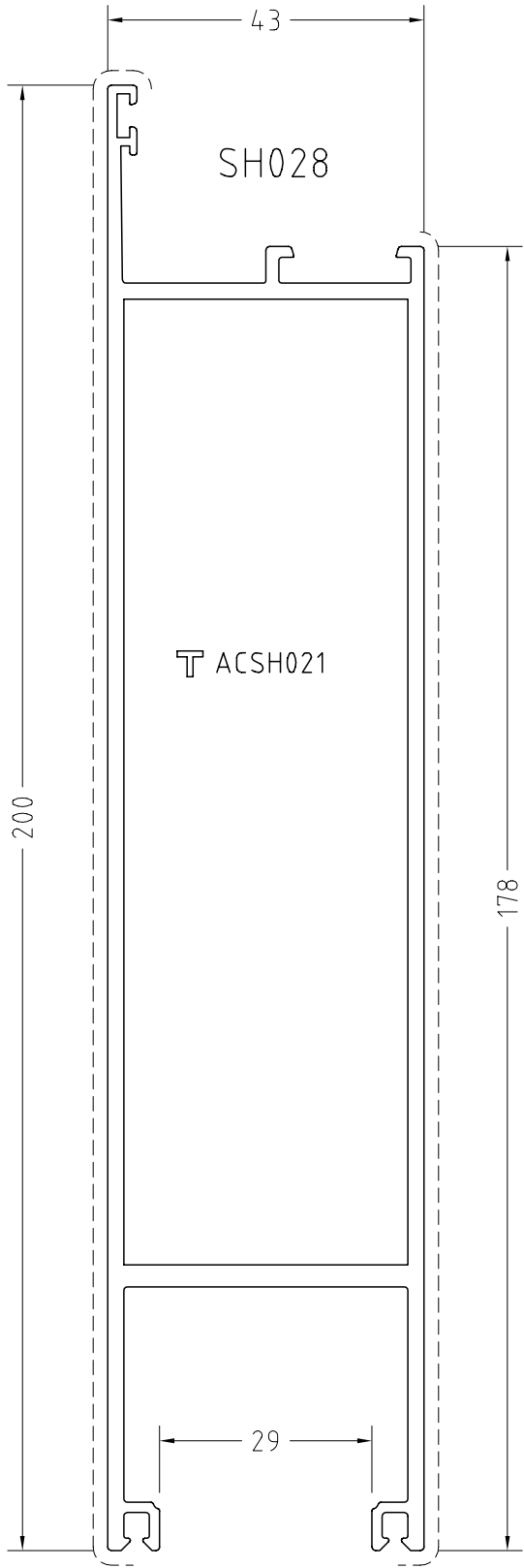
SH027

pag\_a14

PROFILES

----- Primary visible side

----- Secondary visible side



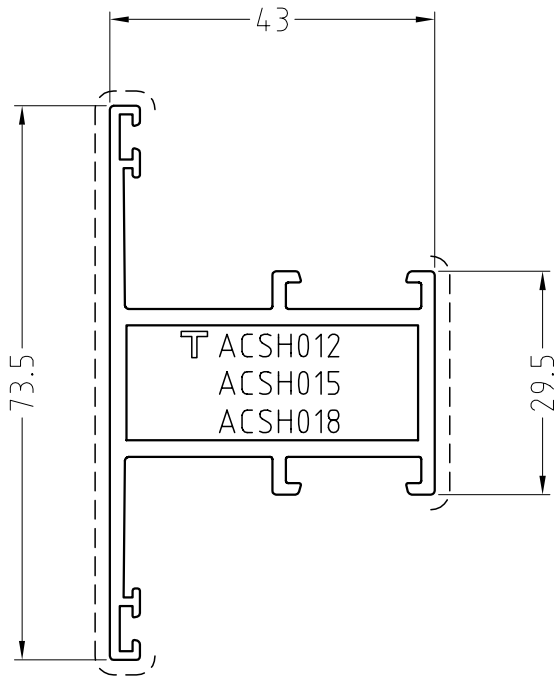
pag\_a29



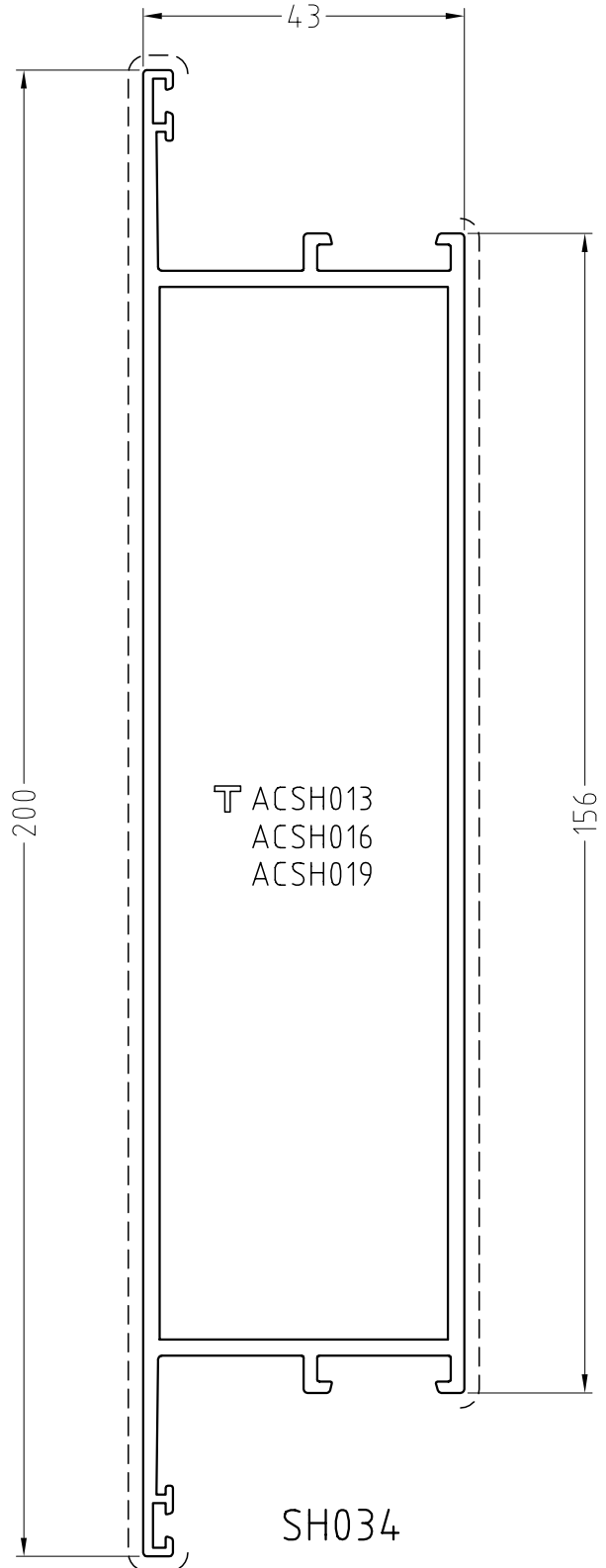
## PROFILES

----- Primary visible side

----- Secondary visible side



SH033



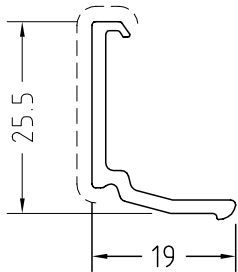
SH034

pag\_a15

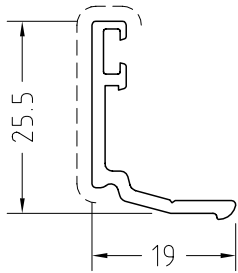
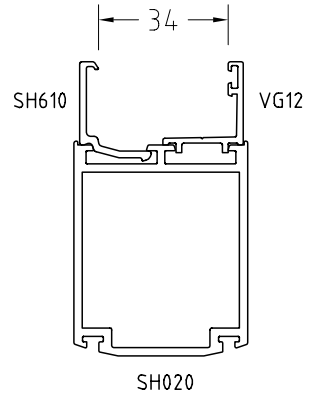
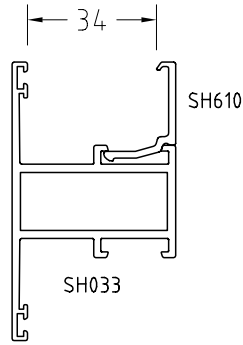
PROFILES

----- Primary visible side

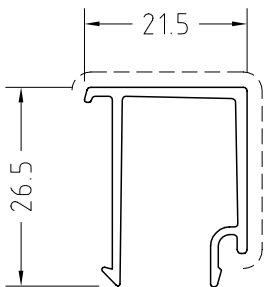
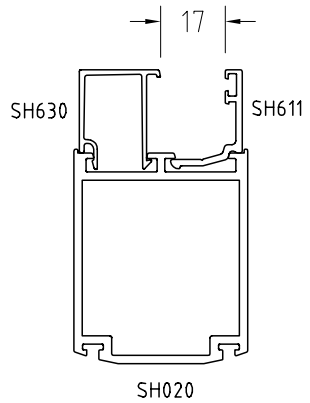
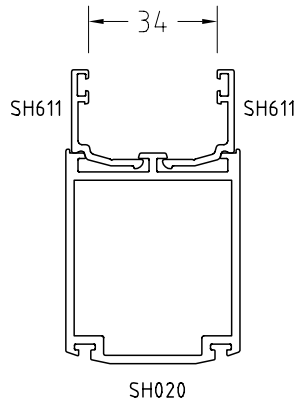
----- Secondary visible side



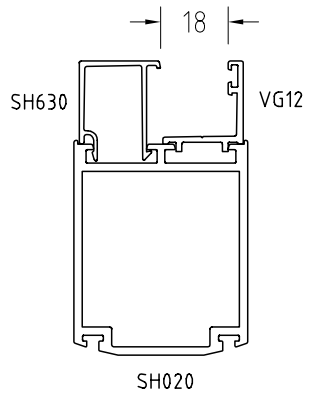
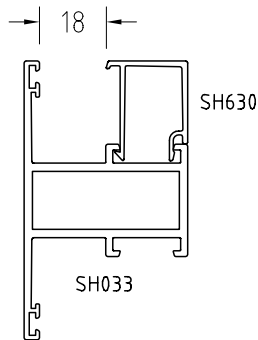
SH610



SH611



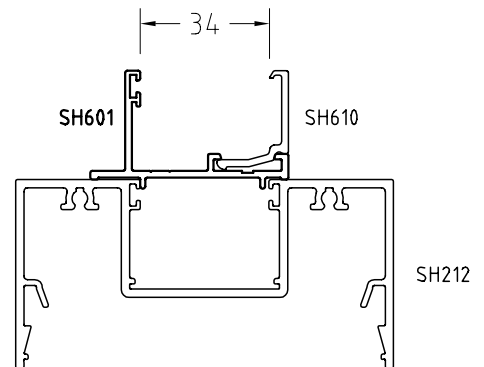
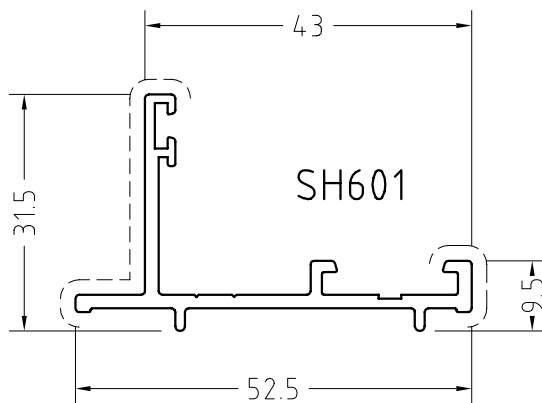
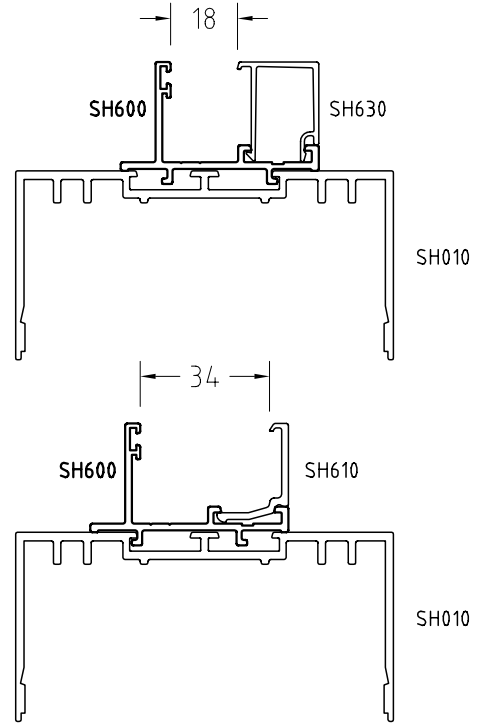
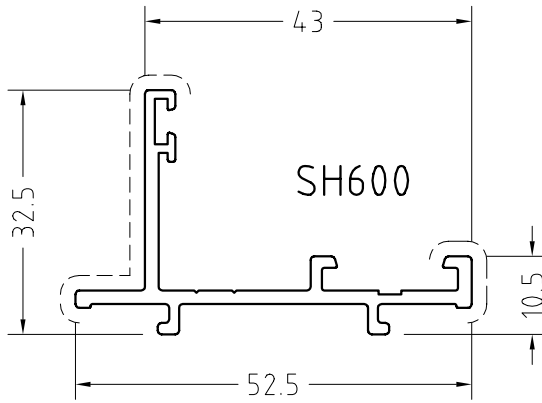
SH630



**PROFILES**

- - - - - Primary visible side

- - - - - Secondary visible side



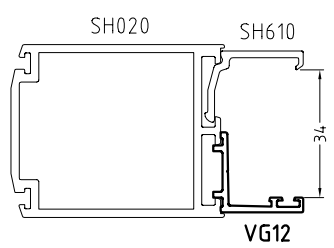
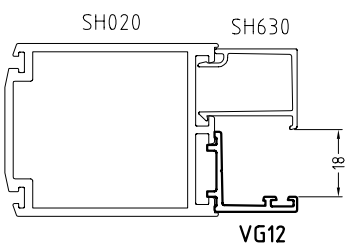
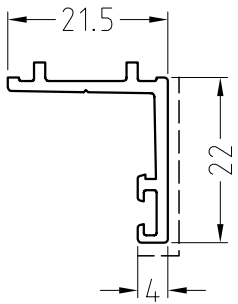
pag\_a30

PROFILES

----- Primary visible side

----- Secondary visible side

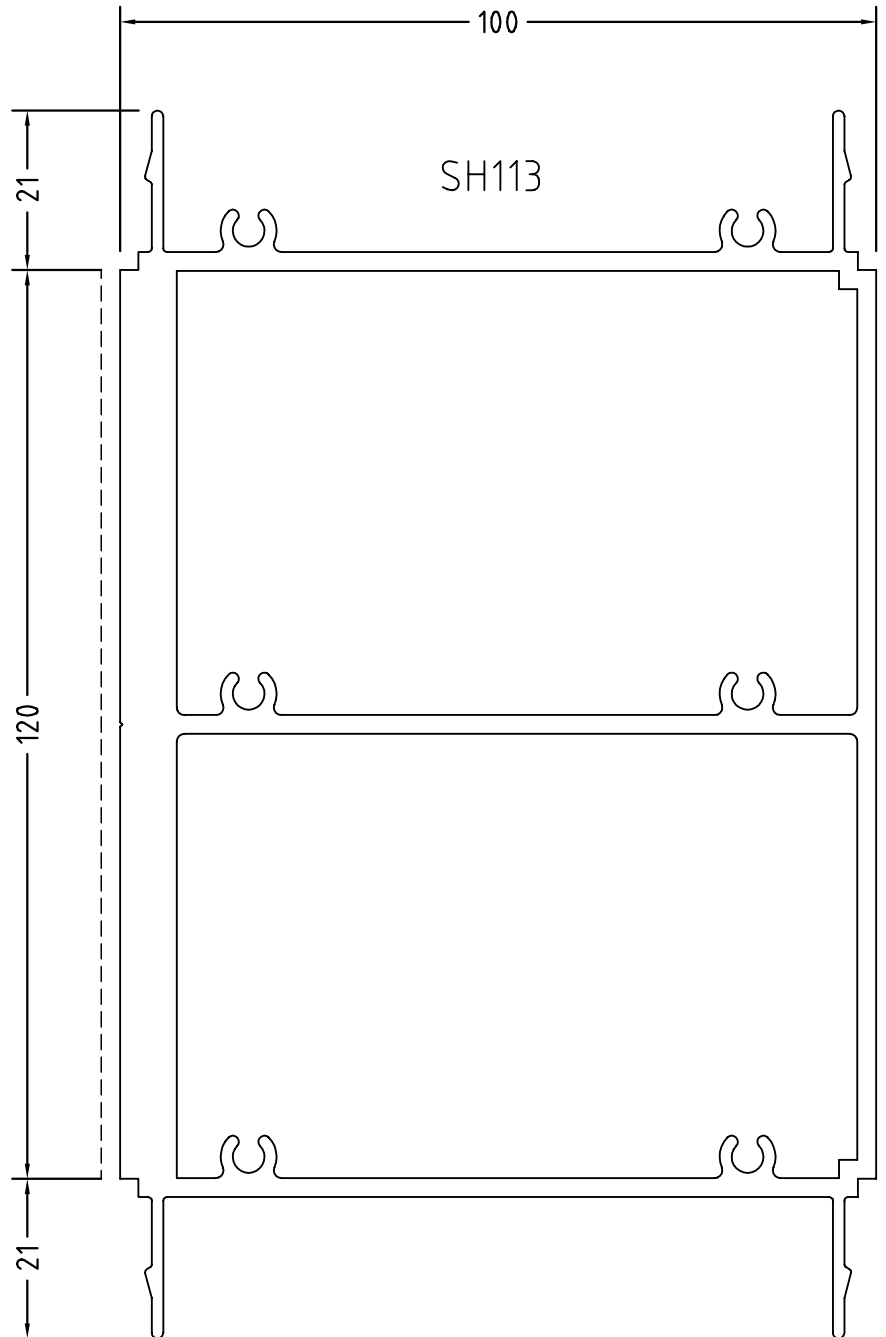
VG12



**PROFILES**

- - - - - Primary visible side

- - - - - Secondary visible side



pag\_a45



## ACCESSORIES

	Pack.	Unit	Application	Colour												
	1	Each	SH020 SH120	<table border="1"> <tr><td>MF</td><td>X</td></tr> <tr><td>SA</td><td></td></tr> <tr><td>KL</td><td></td></tr> <tr><td>HP</td><td></td></tr> <tr><td>WP</td><td></td></tr> <tr><td></td><td></td></tr> </table>	MF	X	SA		KL		HP		WP			
MF	X															
SA																
KL																
HP																
WP																
	1	Each	SH020 SH027	<table border="1"> <tr><td>MF</td><td>X</td></tr> <tr><td>SA</td><td></td></tr> <tr><td>KL</td><td></td></tr> <tr><td>HP</td><td></td></tr> <tr><td>WP</td><td></td></tr> <tr><td></td><td></td></tr> </table>	MF	X	SA		KL		HP		WP			
MF	X															
SA																
KL																
HP																
WP																
	1	Each	SH020 SH033	<table border="1"> <tr><td>MF</td><td>X</td></tr> <tr><td>SA</td><td></td></tr> <tr><td>KL</td><td></td></tr> <tr><td>HP</td><td></td></tr> <tr><td>WP</td><td></td></tr> <tr><td></td><td></td></tr> </table>	MF	X	SA		KL		HP		WP			
MF	X															
SA																
KL																
HP																
WP																
	1	Each	SH020 SH034	<table border="1"> <tr><td>MF</td><td>X</td></tr> <tr><td>SA</td><td></td></tr> <tr><td>KL</td><td></td></tr> <tr><td>HP</td><td></td></tr> <tr><td>WP</td><td></td></tr> <tr><td></td><td></td></tr> </table>	MF	X	SA		KL		HP		WP			
MF	X															
SA																
KL																
HP																
WP																
	1	Each	SH212 SH214 SH032 SH033	<table border="1"> <tr><td>MF</td><td>X</td></tr> <tr><td>SA</td><td></td></tr> <tr><td>KL</td><td></td></tr> <tr><td>HP</td><td></td></tr> <tr><td>WP</td><td></td></tr> <tr><td></td><td></td></tr> </table>	MF	X	SA		KL		HP		WP			
MF	X															
SA																
KL																
HP																
WP																

MF = MILL  
 SA = SATIN ANODISED  
 KL = STANDARD COLOURS  
 HP = SPECIAL COLOR  
 BL = BLACK  
 WP = WHITE



ACCESSORIES

	Pack.	Unit	Application	Colour												
	1	Each	SH212 SH214 SH034	<table border="1"> <tr><td>MF</td><td>X</td></tr> <tr><td>SA</td><td></td></tr> <tr><td>KL</td><td></td></tr> <tr><td>HP</td><td></td></tr> <tr><td>WP</td><td></td></tr> <tr><td></td><td></td></tr> </table>	MF	X	SA		KL		HP		WP			
MF	X															
SA																
KL																
HP																
WP																
	1	Each	SH212 SH214 SH027	<table border="1"> <tr><td>MF</td><td>X</td></tr> <tr><td>SA</td><td></td></tr> <tr><td>KL</td><td></td></tr> <tr><td>HP</td><td></td></tr> <tr><td>WP</td><td></td></tr> <tr><td></td><td></td></tr> </table>	MF	X	SA		KL		HP		WP			
MF	X															
SA																
KL																
HP																
WP																
	1	Each	SH012 SH014 SH032 SH033	<table border="1"> <tr><td>MF</td><td>X</td></tr> <tr><td>SA</td><td></td></tr> <tr><td>KL</td><td></td></tr> <tr><td>HP</td><td></td></tr> <tr><td>WP</td><td></td></tr> <tr><td></td><td></td></tr> </table>	MF	X	SA		KL		HP		WP			
MF	X															
SA																
KL																
HP																
WP																
	1	Each	SH012 SH014 SH034	<table border="1"> <tr><td>MF</td><td>X</td></tr> <tr><td>SA</td><td></td></tr> <tr><td>KL</td><td></td></tr> <tr><td>HP</td><td></td></tr> <tr><td>WP</td><td></td></tr> <tr><td></td><td></td></tr> </table>	MF	X	SA		KL		HP		WP			
MF	X															
SA																
KL																
HP																
WP																
	1	Each	SH012 SH014 SH027	<table border="1"> <tr><td>MF</td><td>X</td></tr> <tr><td>SA</td><td></td></tr> <tr><td>KL</td><td></td></tr> <tr><td>HP</td><td></td></tr> <tr><td>WP</td><td></td></tr> <tr><td></td><td></td></tr> </table>	MF	X	SA		KL		HP		WP			
MF	X															
SA																
KL																
HP																
WP																

MF = MILL  
SA = SATIN ANODISED  
KL = STANDARD COLOURS  
HP = SPECIAL COLOR  
BL = BLACK  
WP = WHITE





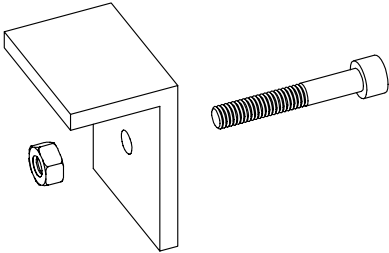
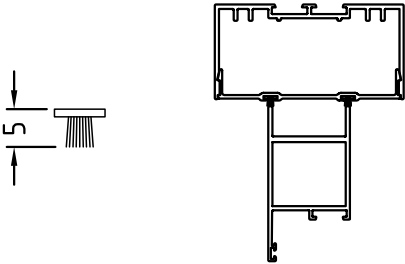
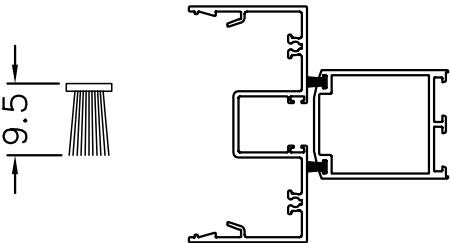
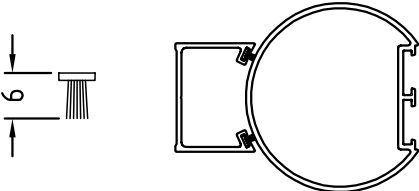
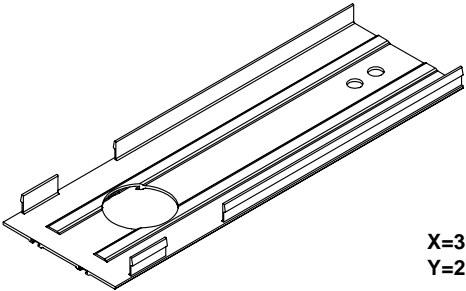

## ACCESSORIES

		Pack.	Unit	Application	Colour												
	<b>ACSH021</b> -Connecting bracket	1	Each	SH028	<table border="1"> <tr><td>MF</td><td>X</td></tr> <tr><td>SA</td><td></td></tr> <tr><td>KL</td><td></td></tr> <tr><td>HP</td><td></td></tr> <tr><td>WP</td><td></td></tr> <tr><td></td><td></td></tr> </table>	MF	X	SA		KL		HP		WP			
	MF	X															
SA																	
KL																	
HP																	
WP																	
	<b>ACSH022</b> -Connecting bracket	1	Each	SH032	<table border="1"> <tr><td>MF</td><td>X</td></tr> <tr><td>SA</td><td></td></tr> <tr><td>KL</td><td></td></tr> <tr><td>HP</td><td></td></tr> <tr><td>WP</td><td></td></tr> <tr><td></td><td></td></tr> </table>	MF	X	SA		KL		HP		WP			
	MF	X															
SA																	
KL																	
HP																	
WP																	
	<b>ACSH032</b> -Brush Pile		Each	SH038	<table border="1"> <tr><td>MF</td><td>X</td></tr> <tr><td>SA</td><td></td></tr> <tr><td>KL</td><td></td></tr> <tr><td>HP</td><td></td></tr> <tr><td>WP</td><td></td></tr> <tr><td></td><td></td></tr> </table>	MF	X	SA		KL		HP		WP			
	MF	X															
SA																	
KL																	
HP																	
WP																	
	<b>ACSH034</b> -Brush fitting for bottom of doors	3	Each	SH027	<table border="1"> <tr><td>MF</td><td>X</td></tr> <tr><td>SA</td><td></td></tr> <tr><td>KL</td><td></td></tr> <tr><td>HP</td><td></td></tr> <tr><td>WP</td><td></td></tr> <tr><td></td><td></td></tr> </table>	MF	X	SA		KL		HP		WP			
	MF	X															
SA																	
KL																	
HP																	
WP																	
	<b>ACSH035</b> -Brush pile		Each	SH015 SH019 SH035	<table border="1"> <tr><td>MF</td><td>X</td></tr> <tr><td>SA</td><td></td></tr> <tr><td>KL</td><td></td></tr> <tr><td>HP</td><td></td></tr> <tr><td>WP</td><td></td></tr> <tr><td></td><td></td></tr> </table>	MF	X	SA		KL		HP		WP			
	MF	X															
SA																	
KL																	
HP																	
WP																	

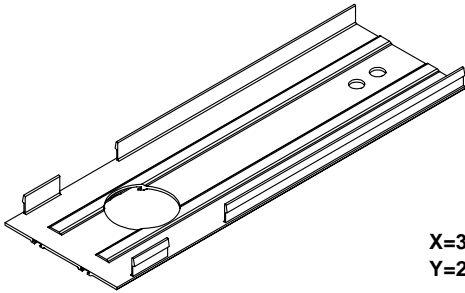

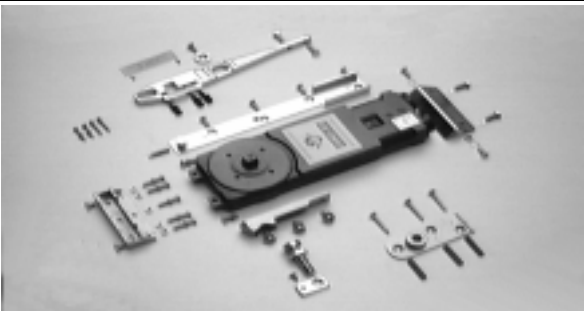



MF = MILL  
 SA = SATIN ANODISED  
 KL = STANDARD COLOURS  
 HP = SPECIAL COLOR  
 BL = BLACK  
 WP = WHITE



ACCESSORIES

	Pack.	Unit	Application	Colour												
	1	Each	SH020 SH022 SH025	<table border="1"> <tr><td>MF</td><td>X</td></tr> <tr><td>SA</td><td></td></tr> <tr><td>KL</td><td></td></tr> <tr><td>HP</td><td></td></tr> <tr><td>WP</td><td></td></tr> <tr><td></td><td></td></tr> </table>	MF	X	SA		KL		HP		WP			
MF	X															
SA																
KL																
HP																
WP																
	1	Each	SH011	<table border="1"> <tr><td>MF</td><td>X</td></tr> <tr><td>SA</td><td></td></tr> <tr><td>KL</td><td></td></tr> <tr><td>HP</td><td></td></tr> <tr><td>WP</td><td></td></tr> <tr><td></td><td></td></tr> </table>	MF	X	SA		KL		HP		WP			
MF	X															
SA																
KL																
HP																
WP																
	1	Each	SH020 SH025 SH039	<table border="1"> <tr><td>MF</td><td>X</td></tr> <tr><td>SA</td><td></td></tr> <tr><td>KL</td><td></td></tr> <tr><td>HP</td><td></td></tr> <tr><td>WP</td><td></td></tr> <tr><td></td><td></td></tr> </table>	MF	X	SA		KL		HP		WP			
MF	X															
SA																
KL																
HP																
WP																
	1	Each	SH023	<table border="1"> <tr><td>MF</td><td>X</td></tr> <tr><td>SA</td><td></td></tr> <tr><td>KL</td><td></td></tr> <tr><td>HP</td><td></td></tr> <tr><td>WP</td><td></td></tr> <tr><td></td><td></td></tr> </table>	MF	X	SA		KL		HP		WP			
MF	X															
SA																
KL																
HP																
WP																
 <p>X=30mm Y=20mm</p>  <p>ACVG65 DIN7982 M4x20</p>		Each	SH036 SH037	<table border="1"> <tr><td>MF</td><td>X</td></tr> <tr><td>SA</td><td>X</td></tr> <tr><td>KL</td><td>X</td></tr> <tr><td>HP</td><td>X</td></tr> <tr><td>WP</td><td>X</td></tr> <tr><td></td><td></td></tr> </table>	MF	X	SA	X	KL	X	HP	X	WP	X		
MF	X															
SA	X															
KL	X															
HP	X															
WP	X															

## ACCESSORIES

	Pack.	Unit	Application	Colour												
 <p><b>ACSH419XX</b> -Cover plate 70mm pivot centre</p> <p>X=30mm Y=20mm</p>  <p>ACVG65 DIN7982 M4x20</p>	1	Each	SH010	<table border="1"> <tr><td>MF</td><td>X</td></tr> <tr><td>SA</td><td>X</td></tr> <tr><td>KL</td><td>X</td></tr> <tr><td>HP</td><td>X</td></tr> <tr><td>WP</td><td>X</td></tr> <tr><td></td><td></td></tr> </table>	MF	X	SA	X	KL	X	HP	X	WP	X		
MF	X															
SA	X															
KL	X															
HP	X															
WP	X															
 <p><b>ACSH420A</b> -Door closer &lt; B &lt; 750mm</p>	1	Each	SH010	<table border="1"> <tr><td>MF</td><td>X</td></tr> <tr><td>SA</td><td></td></tr> <tr><td>KL</td><td></td></tr> <tr><td>HP</td><td></td></tr> <tr><td>WP</td><td></td></tr> <tr><td></td><td></td></tr> </table>	MF	X	SA		KL		HP		WP			
MF	X															
SA																
KL																
HP																
WP																
 <p><b>ACSH420B</b> -Door closer with hold open &lt; B &lt; 750mm</p>	1	Each	SH010	<table border="1"> <tr><td>MF</td><td>X</td></tr> <tr><td>SA</td><td></td></tr> <tr><td>KL</td><td></td></tr> <tr><td>HP</td><td></td></tr> <tr><td>WP</td><td></td></tr> <tr><td></td><td></td></tr> </table>	MF	X	SA		KL		HP		WP			
MF	X															
SA																
KL																
HP																
WP																
 <p><b>ACSH421A</b> -Door closer 750mm &lt; B &lt; 950mm</p>	1	Each	SH010	<table border="1"> <tr><td>MF</td><td>X</td></tr> <tr><td>SA</td><td></td></tr> <tr><td>KL</td><td></td></tr> <tr><td>HP</td><td></td></tr> <tr><td>WP</td><td></td></tr> <tr><td></td><td></td></tr> </table>	MF	X	SA		KL		HP		WP			
MF	X															
SA																
KL																
HP																
WP																
 <p><b>ACSH421B</b> -Door closer with hold open 750mm &lt; B &lt; 950mm</p>	1	Each	SH010	<table border="1"> <tr><td>MF</td><td>X</td></tr> <tr><td>SA</td><td></td></tr> <tr><td>KL</td><td></td></tr> <tr><td>HP</td><td></td></tr> <tr><td>WP</td><td></td></tr> <tr><td></td><td></td></tr> </table>	MF	X	SA		KL		HP		WP			
MF	X															
SA																
KL																
HP																
WP																

MF = MILL  
SA = SATIN ANODISED  
KL = STANDARD COLOURS  
HP = SPECIAL COLOR  
BL = BLACK  
WP = WHITE



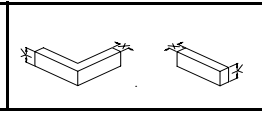
ACCESSORIES

	Pack.	Unit	Application	Colour												
	1	Each	SH010	<table border="1"> <tr><td>MF</td><td>X</td></tr> <tr><td>SA</td><td></td></tr> <tr><td>KL</td><td></td></tr> <tr><td>HP</td><td></td></tr> <tr><td>WP</td><td></td></tr> <tr><td></td><td></td></tr> </table>	MF	X	SA		KL		HP		WP			
MF	X															
SA																
KL																
HP																
WP																
	1	Each	SH010	<table border="1"> <tr><td>MF</td><td>X</td></tr> <tr><td>SA</td><td></td></tr> <tr><td>KL</td><td></td></tr> <tr><td>HP</td><td></td></tr> <tr><td>WP</td><td></td></tr> <tr><td></td><td></td></tr> </table>	MF	X	SA		KL		HP		WP			
MF	X															
SA																
KL																
HP																
WP																
		Each	SH036 SH037	<table border="1"> <tr><td>MF</td><td>X</td></tr> <tr><td>SA</td><td></td></tr> <tr><td>KL</td><td></td></tr> <tr><td>HP</td><td></td></tr> <tr><td>WP</td><td></td></tr> <tr><td></td><td></td></tr> </table>	MF	X	SA		KL		HP		WP			
MF	X															
SA																
KL																
HP																
WP																
		Each	SH036 SH037	<table border="1"> <tr><td>MF</td><td>X</td></tr> <tr><td>SA</td><td></td></tr> <tr><td>KL</td><td></td></tr> <tr><td>HP</td><td></td></tr> <tr><td>WP</td><td></td></tr> <tr><td></td><td></td></tr> </table>	MF	X	SA		KL		HP		WP			
MF	X															
SA																
KL																
HP																
WP																
		Each	SH036 SH037	<table border="1"> <tr><td>MF</td><td>X</td></tr> <tr><td>SA</td><td></td></tr> <tr><td>KL</td><td></td></tr> <tr><td>HP</td><td></td></tr> <tr><td>WP</td><td></td></tr> <tr><td></td><td></td></tr> </table>	MF	X	SA		KL		HP		WP			
MF	X															
SA																
KL																
HP																
WP																

## ACCESSORIES

	Pack.	Unit	Application	Colour												
<p><b>ACSH424B</b> -65mm Pivot Centre End Loaded Door Closer with hold open 950mm &lt; B &lt; 1150mm</p>		Each	SH036 SH037	<table border="1"> <tr><td>MF</td><td>X</td></tr> <tr><td>SA</td><td></td></tr> <tr><td>KL</td><td></td></tr> <tr><td>HP</td><td></td></tr> <tr><td>WP</td><td></td></tr> <tr><td></td><td></td></tr> </table>	MF	X	SA		KL		HP		WP			
MF	X															
SA																
KL																
HP																
WP																
<p><b>ACSH427</b> -Hinge Mounting Block</p>		Each	ACSH429	<table border="1"> <tr><td>MF</td><td></td></tr> <tr><td>SA</td><td></td></tr> <tr><td>KL</td><td></td></tr> <tr><td>HP</td><td></td></tr> <tr><td>WP</td><td></td></tr> <tr><td></td><td></td></tr> </table>	MF		SA		KL		HP		WP			
MF																
SA																
KL																
HP																
WP																
<p><b>ACSH428</b> -Face mounted closer</p>		Each	SH012 SH112 SH212	<table border="1"> <tr><td>MF</td><td>X</td></tr> <tr><td>SA</td><td></td></tr> <tr><td>KL</td><td></td></tr> <tr><td>HP</td><td></td></tr> <tr><td>WP</td><td></td></tr> <tr><td></td><td></td></tr> </table>	MF	X	SA		KL		HP		WP			
MF	X															
SA																
KL																
HP																
WP																
<p><b>ACSH429</b> -Face mounted hinges</p>		Each	SH012 SH112 SH212	<table border="1"> <tr><td>MF</td><td>X</td></tr> <tr><td>SA</td><td></td></tr> <tr><td>KL</td><td></td></tr> <tr><td>HP</td><td></td></tr> <tr><td>M</td><td></td></tr> <tr><td></td><td></td></tr> </table>	MF	X	SA		KL		HP		M			
MF	X															
SA																
KL																
HP																
M																
<p><b>ACSH430B</b> -Lock with hook bolt and mortice cylinder 28.5mm backset</p>		Each	ACSH431 ACSH432 ACSH434 ACSH434A ACSH435 ACSH436 ACSH438	<table border="1"> <tr><td>MF</td><td>X</td></tr> <tr><td>SA</td><td></td></tr> <tr><td>KL</td><td></td></tr> <tr><td>HP</td><td></td></tr> <tr><td>WP</td><td></td></tr> <tr><td></td><td></td></tr> </table>	MF	X	SA		KL		HP		WP			
MF	X															
SA																
KL																
HP																
WP																

MF = MILL  
SA = SATIN ANODISED  
KL = STANDARD COLOURS  
HP = SPECIAL COLOR  
BL = BLACK  
WP = WHITE



**ACCESSORIES**

	Pack.	Unit	Application	Colour												
 <p><b>ACSH431</b> -Threshold bolt</p>	1	Each	ACSH430A ACSH430B	<table border="1"> <tr><td>MF</td><td>X</td></tr> <tr><td>SA</td><td></td></tr> <tr><td>KL</td><td></td></tr> <tr><td>HP</td><td></td></tr> <tr><td>WP</td><td></td></tr> <tr><td></td><td></td></tr> </table>	MF	X	SA		KL		HP		WP			
MF	X															
SA																
KL																
HP																
WP																
 <p><b>ACSH432</b> -Header bolt</p>	1	Each	ACSH430A ACSH430B	<table border="1"> <tr><td>MF</td><td>X</td></tr> <tr><td>SA</td><td></td></tr> <tr><td>KL</td><td></td></tr> <tr><td>HP</td><td></td></tr> <tr><td>WP</td><td></td></tr> <tr><td></td><td></td></tr> </table>	MF	X	SA		KL		HP		WP			
MF	X															
SA																
KL																
HP																
WP																
 <p><b>ACSH433</b> -Lock with mortice cylinder 28.5mm backset</p>	1	Each	ACSH434 ACSH435 ACSH439A ACSH439B ACSH439C ACSH439D ACSH455XX	<table border="1"> <tr><td>MF</td><td>X</td></tr> <tr><td>SA</td><td></td></tr> <tr><td>KL</td><td></td></tr> <tr><td>HP</td><td></td></tr> <tr><td>WP</td><td></td></tr> <tr><td></td><td></td></tr> </table>	MF	X	SA		KL		HP		WP			
MF	X															
SA																
KL																
HP																
WP																
 <p><b>ACSH434</b> -Single mortice cylinder</p>	1	Each	ACSH430A ACSH430B ACSH433	<table border="1"> <tr><td>MF</td><td>X</td></tr> <tr><td>SA</td><td></td></tr> <tr><td>KL</td><td></td></tr> <tr><td>HP</td><td></td></tr> <tr><td>WP</td><td></td></tr> <tr><td></td><td></td></tr> </table>	MF	X	SA		KL		HP		WP			
MF	X															
SA																
KL																
HP																
WP																
 <p><b>ACSH434A</b> -Pair of mortice cylinders</p>	1	Each	ACSH430A ACSH430B	<table border="1"> <tr><td>MF</td><td>X</td></tr> <tr><td>SA</td><td></td></tr> <tr><td>KL</td><td></td></tr> <tr><td>HP</td><td></td></tr> <tr><td>WP</td><td></td></tr> <tr><td></td><td></td></tr> </table>	MF	X	SA		KL		HP		WP			
MF	X															
SA																
KL																
HP																
WP																

## ACCESSORIES

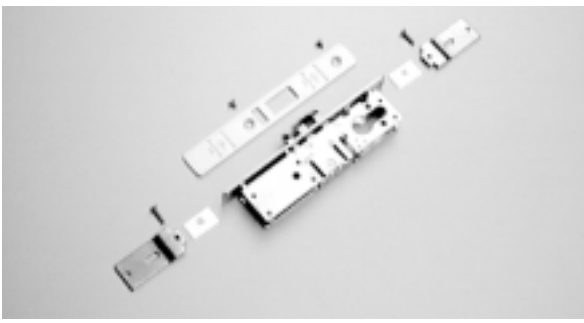

		Pack.	Unit	Application	Colour												
	<b>ACSH435</b> -Mortice thumbturn cylinder	1	Each	ACSH430A ACSH430B ACSH433	<table border="1"> <tr><td>MF</td><td>X</td></tr> <tr><td>SA</td><td></td></tr> <tr><td>KL</td><td></td></tr> <tr><td>HP</td><td></td></tr> <tr><td>WP</td><td></td></tr> <tr><td></td><td></td></tr> </table>	MF	X	SA		KL		HP		WP			
MF	X																
SA																	
KL																	
HP																	
WP																	
	<b>ACSH436</b> -Cylinder guard for mortice cylinders	1	Each	ACSH434 ACSH434A	<table border="1"> <tr><td>MF</td><td>X</td></tr> <tr><td>SA</td><td></td></tr> <tr><td>KL</td><td></td></tr> <tr><td>HP</td><td></td></tr> <tr><td>WP</td><td></td></tr> <tr><td></td><td></td></tr> </table>	MF	X	SA		KL		HP		WP			
MF	X																
SA																	
KL																	
HP																	
WP																	
	<b>ACSH438</b> -Lock plate for hook bolt	1	Each	ACSH430B	<table border="1"> <tr><td>MF</td><td>X</td></tr> <tr><td>SA</td><td></td></tr> <tr><td>KL</td><td></td></tr> <tr><td>HP</td><td></td></tr> <tr><td>WP</td><td></td></tr> <tr><td></td><td></td></tr> </table>	MF	X	SA		KL		HP		WP			
MF	X																
SA																	
KL																	
HP																	
WP																	
	<b>ACSH440B</b> -Lock with hook bolt and euro cylinder 30mm backset	1	Each	ACSH441 ACSH445 ACSH446 ACSH448	<table border="1"> <tr><td>MF</td><td>X</td></tr> <tr><td>SA</td><td></td></tr> <tr><td>KL</td><td></td></tr> <tr><td>HP</td><td></td></tr> <tr><td>WP</td><td></td></tr> <tr><td></td><td></td></tr> </table>	MF	X	SA		KL		HP		WP			
MF	X																
SA																	
KL																	
HP																	
WP																	
	<b>ACSH440C</b> -Lock with hook bolt and euro cylinder 40mm backset	1	Each	ACSH441 ACSH445 ACSH446 ACSH448	<table border="1"> <tr><td>MF</td><td>X</td></tr> <tr><td>SA</td><td></td></tr> <tr><td>KL</td><td></td></tr> <tr><td>HP</td><td></td></tr> <tr><td>WP</td><td></td></tr> <tr><td></td><td></td></tr> </table>	MF	X	SA		KL		HP		WP			
MF	X																
SA																	
KL																	
HP																	
WP																	

MF = MILL  
 SA = SATIN ANODISED  
 KL = STANDARD COLOURS  
 HP = SPECIAL COLOR  
 BL = BLACK  
 WP = WHITE





**ACCESSORIES**

	Pack.	Unit	Application	Colour												
 <p><b>ACSH441</b> -Header or threshold bolt</p>	1	Each	ACSH440A ACSH440B	<table border="1"> <tr><td>MF</td><td>X</td></tr> <tr><td>SA</td><td></td></tr> <tr><td>KL</td><td></td></tr> <tr><td>HP</td><td></td></tr> <tr><td>WP</td><td></td></tr> <tr><td></td><td></td></tr> </table>	MF	X	SA		KL		HP		WP			
MF	X															
SA																
KL																
HP																
WP																
 <p><b>ACSH442</b> -Euro-cylinder 30-30</p>	1	Each	ACSH440B ACSH440C ACSH443	<table border="1"> <tr><td>MF</td><td>X</td></tr> <tr><td>SA</td><td></td></tr> <tr><td>KL</td><td></td></tr> <tr><td>HP</td><td></td></tr> <tr><td>WP</td><td></td></tr> <tr><td></td><td></td></tr> </table>	MF	X	SA		KL		HP		WP			
MF	X															
SA																
KL																
HP																
WP																
 <p><b>ACSH443</b> -Lock with Euro cylinder 28mm backset</p>	1	Each	ACSH445 ACSH455XX	<table border="1"> <tr><td>MF</td><td>X</td></tr> <tr><td>SA</td><td></td></tr> <tr><td>KL</td><td></td></tr> <tr><td>HP</td><td></td></tr> <tr><td>WP</td><td></td></tr> <tr><td></td><td></td></tr> </table>	MF	X	SA		KL		HP		WP			
MF	X															
SA																
KL																
HP																
WP																
 <p><b>ACSH445</b> -Euro cylinder 30-30 with thumbturn</p>	1	Each	ACSH440B ACSH440C ACSH443	<table border="1"> <tr><td>MF</td><td>X</td></tr> <tr><td>SA</td><td></td></tr> <tr><td>KL</td><td></td></tr> <tr><td>HP</td><td></td></tr> <tr><td>WP</td><td></td></tr> <tr><td></td><td></td></tr> </table>	MF	X	SA		KL		HP		WP			
MF	X															
SA																
KL																
HP																
WP																
 <p><b>ACSH446</b> -Cylinder guard for euro cylinders</p>	1	Each	ACSH445	<table border="1"> <tr><td>MF</td><td>X</td></tr> <tr><td>SA</td><td></td></tr> <tr><td>KL</td><td></td></tr> <tr><td>HP</td><td></td></tr> <tr><td>WP</td><td></td></tr> <tr><td></td><td></td></tr> </table>	MF	X	SA		KL		HP		WP			
MF	X															
SA																
KL																
HP																
WP																



## ACCESSORIES

		Pack.	Unit	Application	Colour												
	<b>ACSH448</b> -Lock plate for hook bolt	1	Each	ACSH440B ACSH440C	<table border="1"> <tr><td>MF</td><td>X</td></tr> <tr><td>SA</td><td></td></tr> <tr><td>KL</td><td></td></tr> <tr><td>HP</td><td></td></tr> <tr><td>WP</td><td></td></tr> <tr><td></td><td></td></tr> </table>	MF	X	SA		KL		HP		WP			
MF	X																
SA																	
KL																	
HP																	
WP																	
	<b>ACSH449</b> -Aluminium hook keep	1	Each	SH212	<table border="1"> <tr><td>MF</td><td>X</td></tr> <tr><td>SA</td><td></td></tr> <tr><td>KL</td><td></td></tr> <tr><td>HP</td><td></td></tr> <tr><td>WP</td><td></td></tr> <tr><td></td><td></td></tr> </table>	MF	X	SA		KL		HP		WP			
MF	X																
SA																	
KL																	
HP																	
WP																	
	<b>ACSH450</b> -Flushbolt	1	Each	SH021 SH026 SH038 SH040	<table border="1"> <tr><td>MF</td><td>X</td></tr> <tr><td>SA</td><td></td></tr> <tr><td>KL</td><td></td></tr> <tr><td>HP</td><td></td></tr> <tr><td>WP</td><td></td></tr> <tr><td></td><td></td></tr> </table>	MF	X	SA		KL		HP		WP			
MF	X																
SA																	
KL																	
HP																	
WP																	
	<b>ACSH451</b> -Concealed panic mechanism 914mm	1	Each		<table border="1"> <tr><td>MF</td><td>X</td></tr> <tr><td>SA</td><td></td></tr> <tr><td>KL</td><td></td></tr> <tr><td>HP</td><td></td></tr> <tr><td>WP</td><td></td></tr> <tr><td></td><td></td></tr> </table>	MF	X	SA		KL		HP		WP			
MF	X																
SA																	
KL																	
HP																	
WP																	
	<b>ACSH452</b> -Concealed panic mechanism 1067mm	1	Each		<table border="1"> <tr><td>MF</td><td>X</td></tr> <tr><td>SA</td><td></td></tr> <tr><td>KL</td><td></td></tr> <tr><td>HP</td><td></td></tr> <tr><td>WP</td><td></td></tr> <tr><td></td><td></td></tr> </table>	MF	X	SA		KL		HP		WP			
MF	X																
SA																	
KL																	
HP																	
WP																	


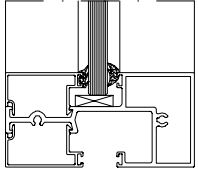

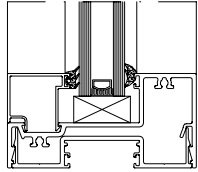

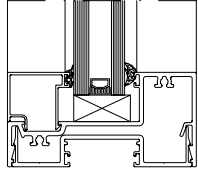

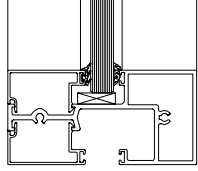

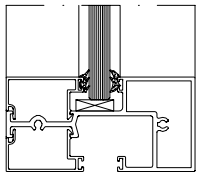
MF = MILL  
 SA = SATIN ANODISED  
 KL = STANDARD COLOURS  
 HP = SPECIAL COLOR  
 BL = BLACK  
 WP = WHITE



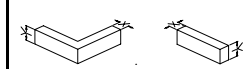
**ACCESSORIES**

	Pack.	Unit	Application	Colour												
 <p><b>ACSH460</b> -Handle</p>	1	Each	SH020 SH021 SH025 SH026 SH037 SH038 SH039 SH040	<table border="1"> <tr><td>MF</td><td></td></tr> <tr><td>SA</td><td>X</td></tr> <tr><td>KL</td><td></td></tr> <tr><td>HP</td><td></td></tr> <tr><td>WP</td><td></td></tr> <tr><td></td><td></td></tr> </table>	MF		SA	X	KL		HP		WP			
MF																
SA	X															
KL																
HP																
WP																
 <p><b>ACSH470</b> -Letterplate 317mm x 50mm with brush fitting Cut out 270mm x 39mm</p>	1	Each	SH032 SH034	<table border="1"> <tr><td>MF</td><td></td></tr> <tr><td>SA</td><td>X</td></tr> <tr><td>KL</td><td></td></tr> <tr><td>HP</td><td></td></tr> <tr><td>WP</td><td>X</td></tr> <tr><td>BL</td><td>X</td></tr> </table>	MF		SA	X	KL		HP		WP	X	BL	X
MF																
SA	X															
KL																
HP																
WP	X															
BL	X															
 <p><b>ACSH471</b> -Letterplate 250mm x 65mm with brush fitting Cut out 220mm x 45mm</p>	1	Each	SH032 SH034	<table border="1"> <tr><td>MF</td><td></td></tr> <tr><td>SA</td><td>X</td></tr> <tr><td>KL</td><td></td></tr> <tr><td>HP</td><td></td></tr> <tr><td>WP</td><td>X</td></tr> <tr><td>BL</td><td>X</td></tr> </table>	MF		SA	X	KL		HP		WP	X	BL	X
MF																
SA	X															
KL																
HP																
WP	X															
BL	X															
 <p><b>ACSH901</b> -Drill jig</p>	1	Each	SH012 SH018 SH030 SH112 SH212 SH218 SH410 SH411 SH413	<table border="1"> <tr><td>MF</td><td>X</td></tr> <tr><td>SA</td><td></td></tr> <tr><td>KL</td><td></td></tr> <tr><td>HP</td><td></td></tr> <tr><td>WP</td><td></td></tr> <tr><td></td><td></td></tr> </table>	MF	X	SA		KL		HP		WP			
MF	X															
SA																
KL																
HP																
WP																
 <p><b>ACDR050</b> -Stainless steel screw</p>	200	Each		<table border="1"> <tr><td>MF</td><td>X</td></tr> <tr><td>SA</td><td></td></tr> <tr><td>KL</td><td></td></tr> <tr><td>HP</td><td></td></tr> <tr><td>WP</td><td></td></tr> <tr><td></td><td></td></tr> </table>	MF	X	SA		KL		HP		WP			
MF	X															
SA																
KL																
HP																
WP																

## ACCESSORIES

		Pack.	Unit	Application	Colour												
 	<b>ACVG31</b> -Glazing gasket outside 3mm	1	Each		<table border="1"> <tr><td>MF</td><td>X</td></tr> <tr><td>SA</td><td></td></tr> <tr><td>KL</td><td></td></tr> <tr><td>HP</td><td></td></tr> <tr><td>WP</td><td></td></tr> <tr><td></td><td></td></tr> </table>	MF	X	SA		KL		HP		WP			
	MF	X															
SA																	
KL																	
HP																	
WP																	
 	<b>ACVG131</b> -Glazing gasket outside 4mm	1	Each		<table border="1"> <tr><td>MF</td><td>X</td></tr> <tr><td>SA</td><td></td></tr> <tr><td>KL</td><td></td></tr> <tr><td>HP</td><td></td></tr> <tr><td>WP</td><td></td></tr> <tr><td></td><td></td></tr> </table>	MF	X	SA		KL		HP		WP			
	MF	X															
SA																	
KL																	
HP																	
WP																	
 	<b>ACVG231</b> -Glazing gasket outside 2mm	1	Each		<table border="1"> <tr><td>MF</td><td>X</td></tr> <tr><td>SA</td><td></td></tr> <tr><td>KL</td><td></td></tr> <tr><td>HP</td><td></td></tr> <tr><td>WP</td><td></td></tr> <tr><td></td><td></td></tr> </table>	MF	X	SA		KL		HP		WP			
	MF	X															
SA																	
KL																	
HP																	
WP																	
 	<b>ACVG32</b> -Glazing gasket 3mm	100	Each		<table border="1"> <tr><td>MF</td><td>X</td></tr> <tr><td>SA</td><td></td></tr> <tr><td>KL</td><td></td></tr> <tr><td>HP</td><td></td></tr> <tr><td>WP</td><td></td></tr> <tr><td></td><td></td></tr> </table>	MF	X	SA		KL		HP		WP			
	MF	X															
SA																	
KL																	
HP																	
WP																	
 	<b>ACVG33</b> -Glazing gasket 4mm	100	Each		<table border="1"> <tr><td>MF</td><td>X</td></tr> <tr><td>SA</td><td></td></tr> <tr><td>KL</td><td></td></tr> <tr><td>HP</td><td></td></tr> <tr><td>WP</td><td></td></tr> <tr><td></td><td></td></tr> </table>	MF	X	SA		KL		HP		WP			
	MF	X															
SA																	
KL																	
HP																	
WP																	

MF = MILL  
 SA = SATIN ANODISED  
 KL = STANDARD COLOURS  
 HP = SPECIAL COLOR  
 BL = BLACK  
 WP = WHITE



**ACCESSORIES**

	Pack.	Unit	Application	Colour												
	200	Each		<table border="1"> <tr><td>MF</td><td>X</td></tr> <tr><td>SA</td><td></td></tr> <tr><td>KL</td><td></td></tr> <tr><td>HP</td><td></td></tr> <tr><td>WP</td><td></td></tr> <tr><td></td><td></td></tr> </table>	MF	X	SA		KL		HP		WP			
MF	X															
SA																
KL																
HP																
WP																
	200	Each		<table border="1"> <tr><td>MF</td><td>X</td></tr> <tr><td>SA</td><td></td></tr> <tr><td>KL</td><td></td></tr> <tr><td>HP</td><td></td></tr> <tr><td>WP</td><td></td></tr> <tr><td></td><td></td></tr> </table>	MF	X	SA		KL		HP		WP			
MF	X															
SA																
KL																
HP																
WP																
	1	Each		<table border="1"> <tr><td>MF</td><td>X</td></tr> <tr><td>SA</td><td></td></tr> <tr><td>KL</td><td></td></tr> <tr><td>HP</td><td></td></tr> <tr><td>WP</td><td></td></tr> <tr><td></td><td></td></tr> </table>	MF	X	SA		KL		HP		WP			
MF	X															
SA																
KL																
HP																
WP																
	1	Each	SH020 SH021 SH025 SH026 SH037	<table border="1"> <tr><td>MF</td><td>X</td></tr> <tr><td>SA</td><td></td></tr> <tr><td>KL</td><td></td></tr> <tr><td>HP</td><td></td></tr> <tr><td>WP</td><td></td></tr> <tr><td></td><td></td></tr> </table>	MF	X	SA		KL		HP		WP			
MF	X															
SA																
KL																
HP																
WP																
	1	Each	SH020 SH025 SH026 SH037 SH038 SH039 SH040	<table border="1"> <tr><td>MF</td><td>X</td></tr> <tr><td>SA</td><td>X</td></tr> <tr><td>KL</td><td>X</td></tr> <tr><td>HP</td><td>X</td></tr> <tr><td>WP</td><td>X</td></tr> <tr><td></td><td></td></tr> </table>	MF	X	SA	X	KL	X	HP	X	WP	X		
MF	X															
SA	X															
KL	X															
HP	X															
WP	X															

## ACCESSORIES

		Pack.	Unit	Application	Colour												
	<b>ACMX0552</b> -200mm Pad handle	1	Each	SH020 SH025 SH026 SH037 SH038 SH039 SH040	<table border="1"> <tr><td>MF</td><td>X</td></tr> <tr><td>SA</td><td>X</td></tr> <tr><td>KL</td><td>X</td></tr> <tr><td>HP</td><td>X</td></tr> <tr><td>WP</td><td>X</td></tr> <tr><td></td><td></td></tr> </table>	MF	X	SA	X	KL	X	HP	X	WP	X		
MF	X																
SA	X																
KL	X																
HP	X																
WP	X																
	<b>ACVL122 XX</b> -Door handle 230mm-Ø30mm  <b>ACVL157</b> <b>DIN963 M5x16</b>	1	Each	SH020 SH021 SH025 SH026 SH037 SH038 SH039 SH040	<table border="1"> <tr><td>MF</td><td>X</td></tr> <tr><td>SA</td><td>X</td></tr> <tr><td>KL</td><td>X</td></tr> <tr><td>HP</td><td>X</td></tr> <tr><td>WP</td><td>X</td></tr> <tr><td></td><td></td></tr> </table>	MF	X	SA	X	KL	X	HP	X	WP	X		
MF	X																
SA	X																
KL	X																
HP	X																
WP	X																
	<b>ACVL123 XX</b> -Door handle 350mm-Ø35mm  <b>ACVL157</b> <b>DIN963 M5x16</b>	1	Each	SH020 SH021 SH025 SH026 SH037 SH038 SH039 SH040	<table border="1"> <tr><td>MF</td><td>X</td></tr> <tr><td>SA</td><td></td></tr> <tr><td>KL</td><td></td></tr> <tr><td>HP</td><td></td></tr> <tr><td>WP</td><td></td></tr> <tr><td></td><td></td></tr> </table>	MF	X	SA		KL		HP		WP			
MF	X																
SA																	
KL																	
HP																	
WP																	
	<b>ACVL124 XX</b> -Single fixing ACVL122	1	Each	ACVL122	<table border="1"> <tr><td>MF</td><td>X</td></tr> <tr><td>SA</td><td></td></tr> <tr><td>KL</td><td></td></tr> <tr><td>HP</td><td></td></tr> <tr><td>WP</td><td></td></tr> <tr><td></td><td></td></tr> </table>	MF	X	SA		KL		HP		WP			
MF	X																
SA																	
KL																	
HP																	
WP																	
	<b>ACVL125 XX</b> -Double fixing ACVL122	1	Each	ACVL122	<table border="1"> <tr><td>MF</td><td>X</td></tr> <tr><td>SA</td><td></td></tr> <tr><td>KL</td><td></td></tr> <tr><td>HP</td><td></td></tr> <tr><td>WP</td><td></td></tr> <tr><td></td><td></td></tr> </table>	MF	X	SA		KL		HP		WP			
MF	X																
SA																	
KL																	
HP																	
WP																	

MF = MILL  
 SA = SATIN ANODISED  
 KL = STANDARD COLOURS  
 HP = SPECIAL COLOR  
 BL = BLACK  
 WP = WHITE



**ACCESSORIES**

	Pack.	Unit	Application	Colour												
	1	Each	ACVL123	<table border="1"> <tr><td>MF</td><td>X</td></tr> <tr><td>SA</td><td></td></tr> <tr><td>KL</td><td></td></tr> <tr><td>HP</td><td></td></tr> <tr><td>WP</td><td></td></tr> <tr><td></td><td></td></tr> </table>	MF	X	SA		KL		HP		WP			
MF	X															
SA																
KL																
HP																
WP																
	1	Each	ACVL123	<table border="1"> <tr><td>MF</td><td>X</td></tr> <tr><td>SA</td><td></td></tr> <tr><td>KL</td><td></td></tr> <tr><td>HP</td><td></td></tr> <tr><td>WP</td><td></td></tr> <tr><td></td><td></td></tr> </table>	MF	X	SA		KL		HP		WP			
MF	X															
SA																
KL																
HP																
WP																
	1	Each		<table border="1"> <tr><td>MF</td><td>X</td></tr> <tr><td>SA</td><td></td></tr> <tr><td>KL</td><td></td></tr> <tr><td>HP</td><td></td></tr> <tr><td>WP</td><td></td></tr> <tr><td></td><td></td></tr> </table>	MF	X	SA		KL		HP		WP			
MF	X															
SA																
KL																
HP																
WP																
	1	Each		<table border="1"> <tr><td>MF</td><td>X</td></tr> <tr><td>SA</td><td></td></tr> <tr><td>KL</td><td></td></tr> <tr><td>HP</td><td></td></tr> <tr><td>WP</td><td></td></tr> <tr><td></td><td></td></tr> </table>	MF	X	SA		KL		HP		WP			
MF	X															
SA																
KL																
HP																
WP																
	1	Each		<table border="1"> <tr><td>MF</td><td>X</td></tr> <tr><td>SA</td><td></td></tr> <tr><td>KL</td><td></td></tr> <tr><td>HP</td><td></td></tr> <tr><td>WP</td><td></td></tr> <tr><td></td><td></td></tr> </table>	MF	X	SA		KL		HP		WP			
MF	X															
SA																
KL																
HP																
WP																

## ACCESSORIES

	Pack.	Unit	Application	Colour												
 <p><b>ACMX09764</b> -Maxi-cleaner</p>	1	Each		<table border="1"> <tr><td>MF</td><td>X</td></tr> <tr><td>SA</td><td></td></tr> <tr><td>KL</td><td></td></tr> <tr><td>HP</td><td></td></tr> <tr><td>WP</td><td></td></tr> <tr><td></td><td></td></tr> </table>	MF	X	SA		KL		HP		WP			
MF	X															
SA																
KL																
HP																
WP																
 <p><b>ACMX09765</b> -Alu-cleaner</p>	1	Each		<table border="1"> <tr><td>MF</td><td>X</td></tr> <tr><td>SA</td><td></td></tr> <tr><td>KL</td><td></td></tr> <tr><td>HP</td><td></td></tr> <tr><td>WP</td><td></td></tr> <tr><td></td><td></td></tr> </table>	MF	X	SA		KL		HP		WP			
MF	X															
SA																
KL																
HP																
WP																
 <p><b>ACMX09770</b> -Roll andywrap 100mm</p>	1	Each		<table border="1"> <tr><td>MF</td><td>X</td></tr> <tr><td>SA</td><td></td></tr> <tr><td>KL</td><td></td></tr> <tr><td>HP</td><td></td></tr> <tr><td>WP</td><td></td></tr> <tr><td></td><td></td></tr> </table>	MF	X	SA		KL		HP		WP			
MF	X															
SA																
KL																
HP																
WP																
 <p><b>ACMX09775</b> -Grip andywrap</p>	1	Each		<table border="1"> <tr><td>MF</td><td>X</td></tr> <tr><td>SA</td><td></td></tr> <tr><td>KL</td><td></td></tr> <tr><td>HP</td><td></td></tr> <tr><td>WP</td><td></td></tr> <tr><td></td><td></td></tr> </table>	MF	X	SA		KL		HP		WP			
MF	X															
SA																
KL																
HP																
WP																
 <p><b>ACMX09801</b> -Protective tape 50mm</p>	1	Each		<table border="1"> <tr><td>MF</td><td>X</td></tr> <tr><td>SA</td><td></td></tr> <tr><td>KL</td><td></td></tr> <tr><td>HP</td><td></td></tr> <tr><td>WP</td><td></td></tr> <tr><td></td><td></td></tr> </table>	MF	X	SA		KL		HP		WP			
MF	X															
SA																
KL																
HP																
WP																

MF = MILL  
SA = SATIN ANODISED  
KL = STANDARD COLOURS  
HP = SPECIAL COLOR  
BL = BLACK  
WP = WHITE





ACCESSORIES

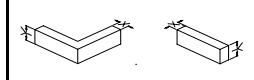
	Pack.	Unit	Application	Colour												
	1	Each		<table border="1"> <tr><td>MF</td><td>X</td></tr> <tr><td>SA</td><td></td></tr> <tr><td>KL</td><td></td></tr> <tr><td>HP</td><td></td></tr> <tr><td>WP</td><td></td></tr> <tr><td></td><td></td></tr> </table>	MF	X	SA		KL		HP		WP			
MF	X															
SA																
KL																
HP																
WP																
	1	Each		<table border="1"> <tr><td>MF</td><td>X</td></tr> <tr><td>SA</td><td></td></tr> <tr><td>KL</td><td></td></tr> <tr><td>HP</td><td></td></tr> <tr><td>WP</td><td></td></tr> <tr><td></td><td></td></tr> </table>	MF	X	SA		KL		HP		WP			
MF	X															
SA																
KL																
HP																
WP																
	1	Each		<table border="1"> <tr><td>MF</td><td>X</td></tr> <tr><td>SA</td><td></td></tr> <tr><td>KL</td><td></td></tr> <tr><td>HP</td><td></td></tr> <tr><td>WP</td><td></td></tr> <tr><td></td><td></td></tr> </table>	MF	X	SA		KL		HP		WP			
MF	X															
SA																
KL																
HP																
WP																
	1	Each		<table border="1"> <tr><td>MF</td><td>X</td></tr> <tr><td>SA</td><td></td></tr> <tr><td>KL</td><td></td></tr> <tr><td>HP</td><td></td></tr> <tr><td>WP</td><td></td></tr> <tr><td></td><td></td></tr> </table>	MF	X	SA		KL		HP		WP			
MF	X															
SA																
KL																
HP																
WP																
	1	Each		<table border="1"> <tr><td>MF</td><td>X</td></tr> <tr><td>SA</td><td></td></tr> <tr><td>KL</td><td></td></tr> <tr><td>HP</td><td></td></tr> <tr><td>WP</td><td></td></tr> <tr><td></td><td></td></tr> </table>	MF	X	SA		KL		HP		WP			
MF	X															
SA																
KL																
HP																
WP																



## ACCESSORIES

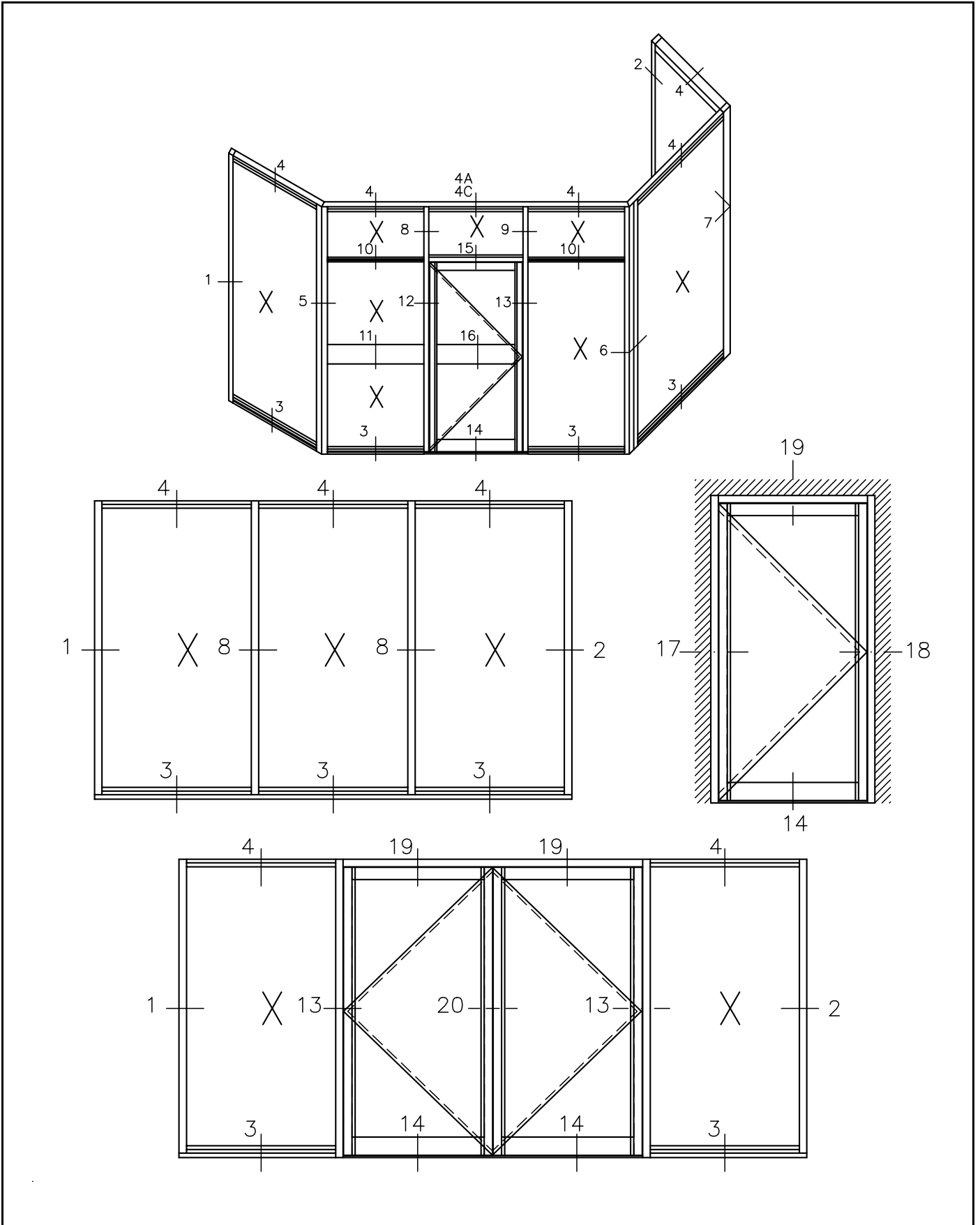
		Pack.	Unit	Application	Colour	
	<b>ACSIL013</b> -Glue for mitre	1	Each		MF	X
					SA	
					KL	
					HP	
					WP	
	<b>ACSIL014</b> -Anti-corro - protection product	1	Each		MF	X
					SA	
					KL	
					HP	
					WP	

MF = MILL  
 SA = SATIN ANODISED  
 KL = STANDARD COLOURS  
 HP = SPECIAL COLOR  
 BL = BLACK  
 WP = WHITE



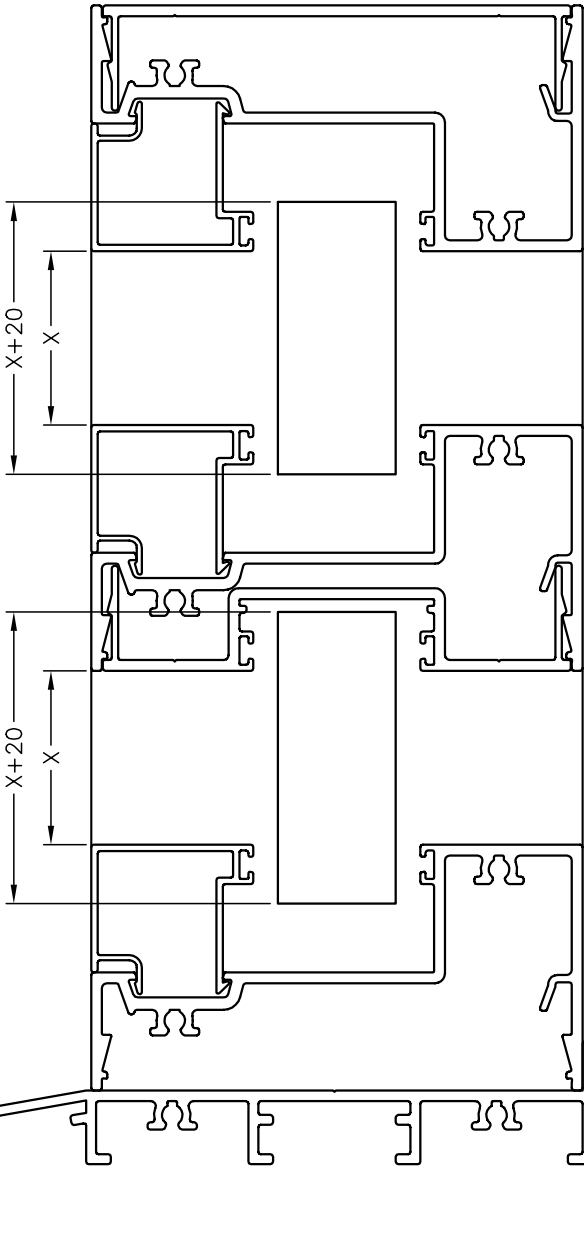
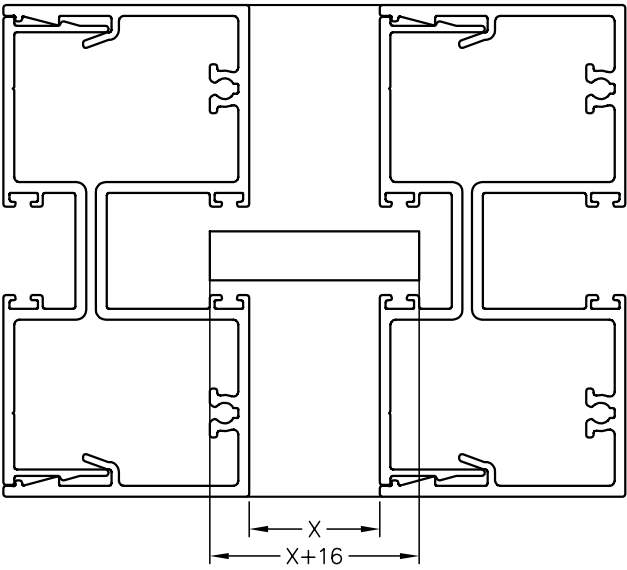
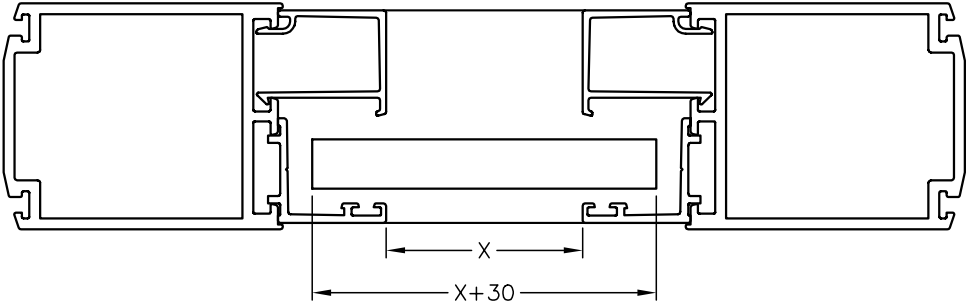


## SECTION



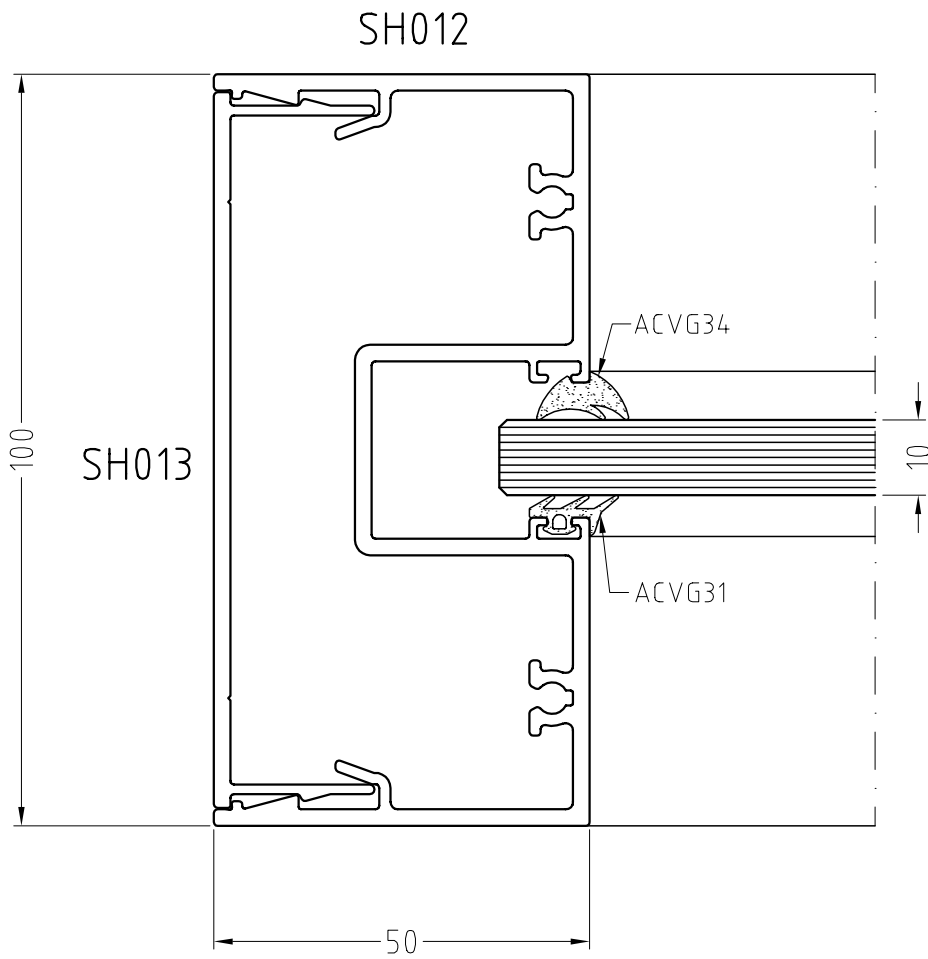
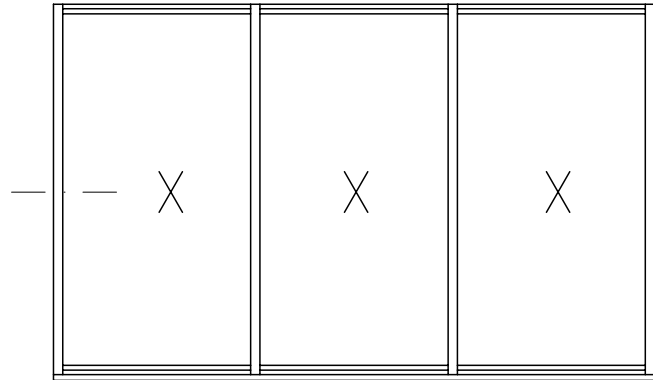
SECTION

GLASS SIZES



SECTION

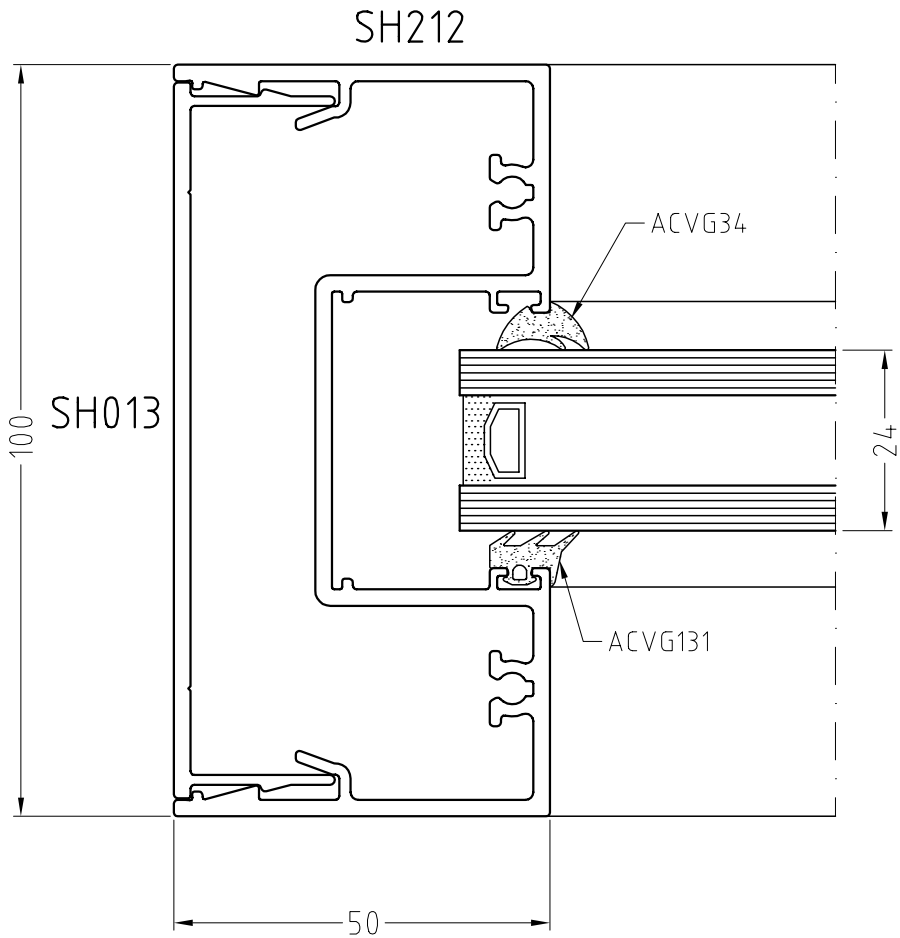
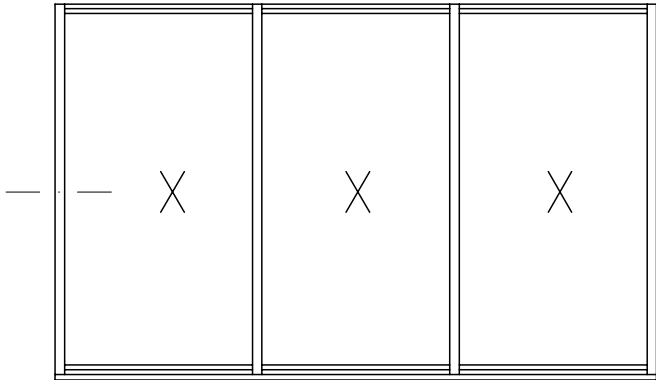
1A



door1a

SECTION

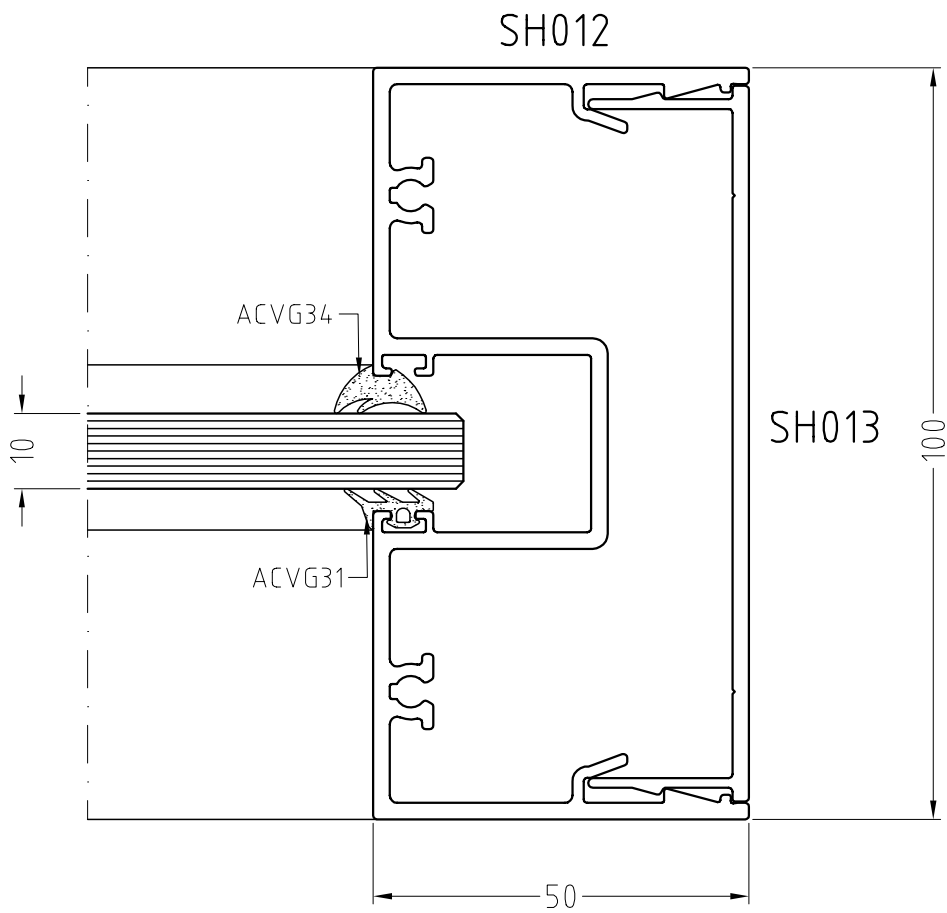
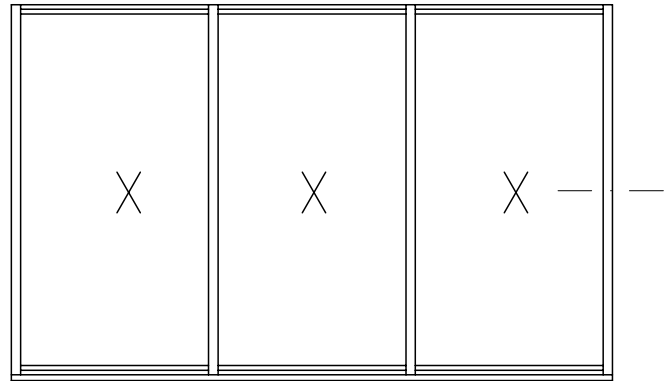
1B



door1b

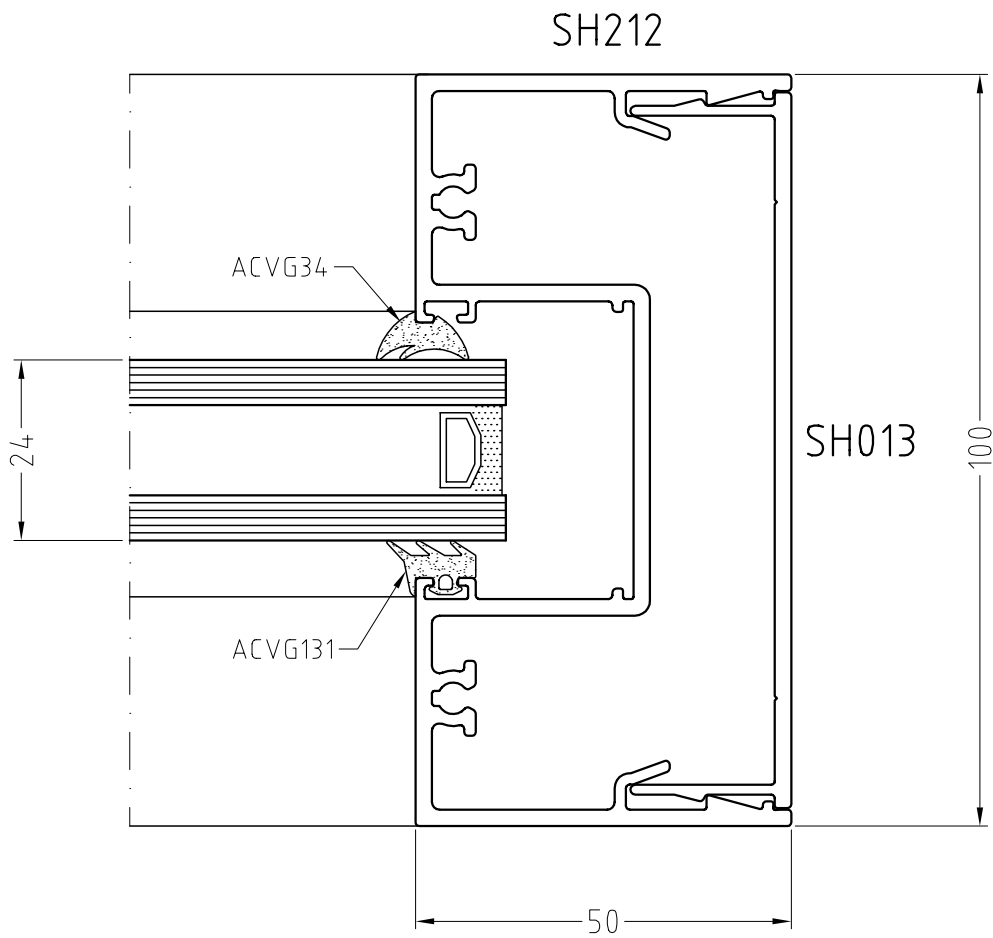
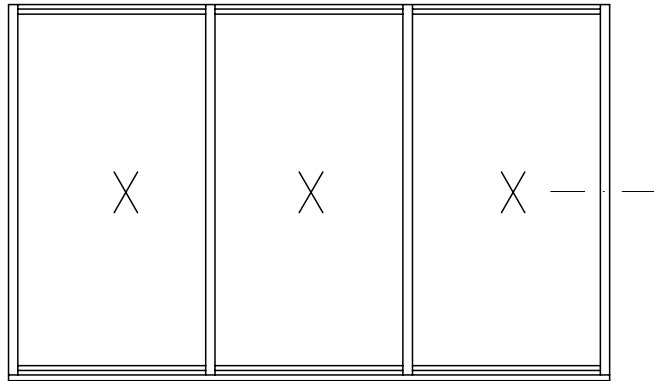
SECTION

2A



door2a

2B

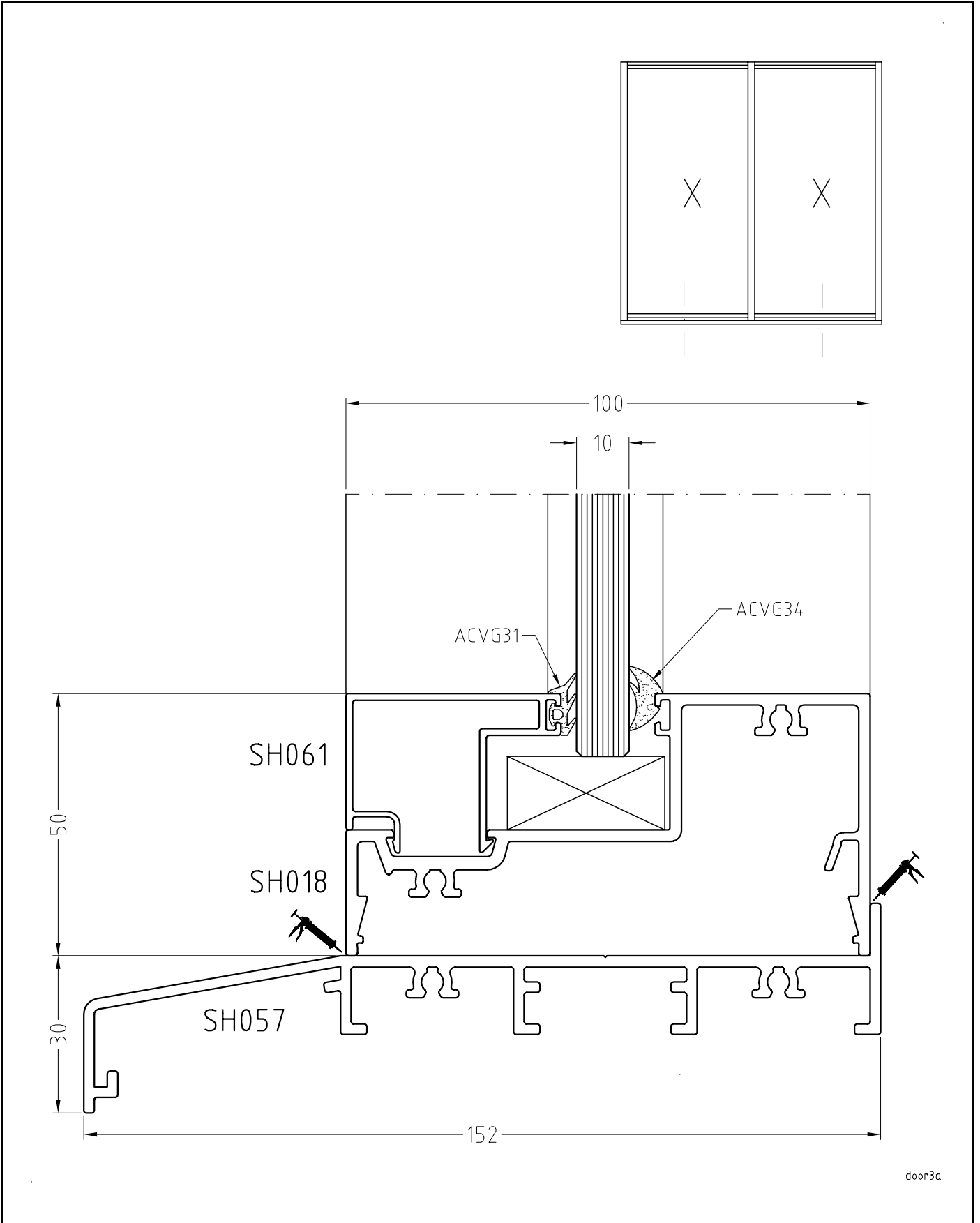


door2b



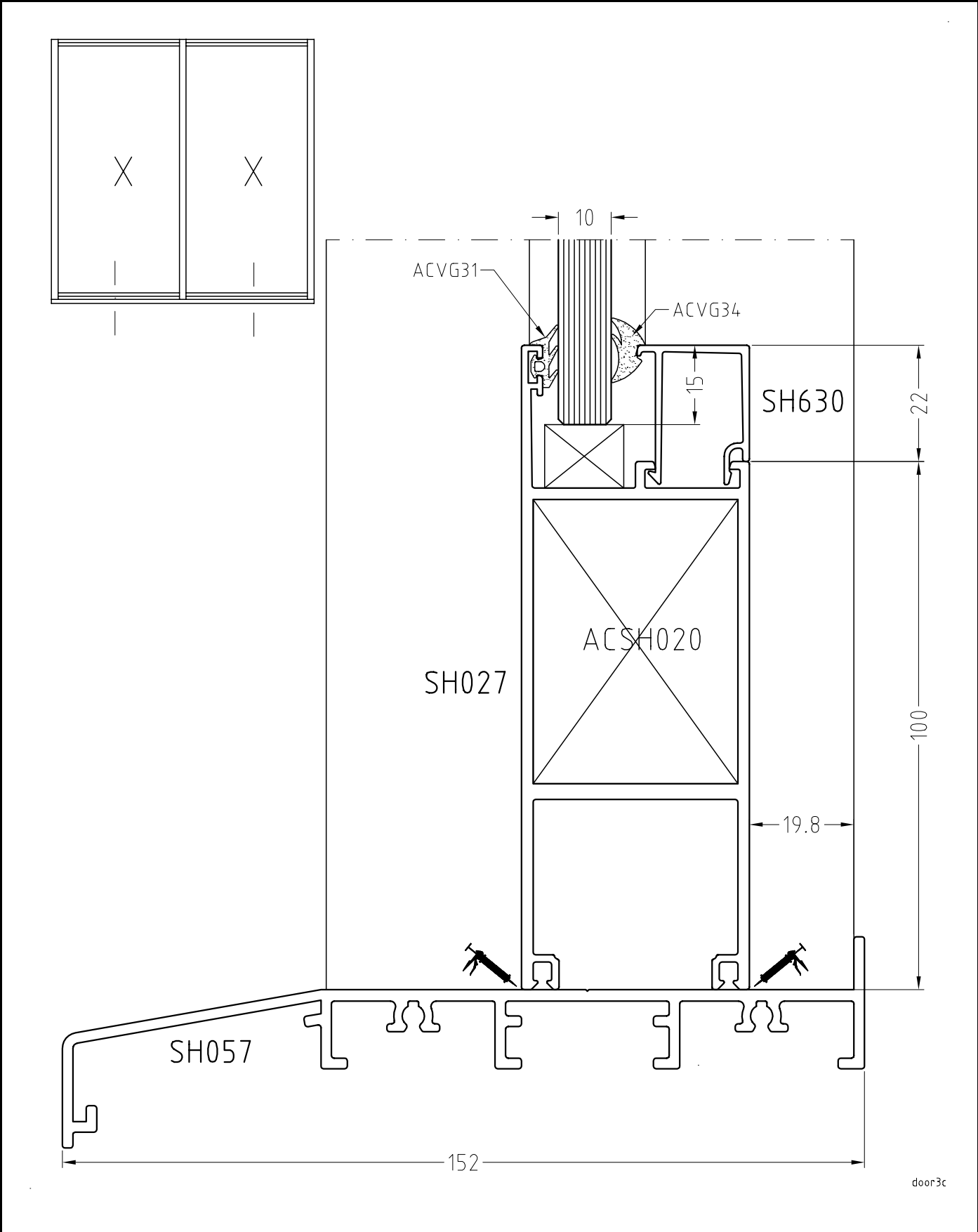
SECTION

3A



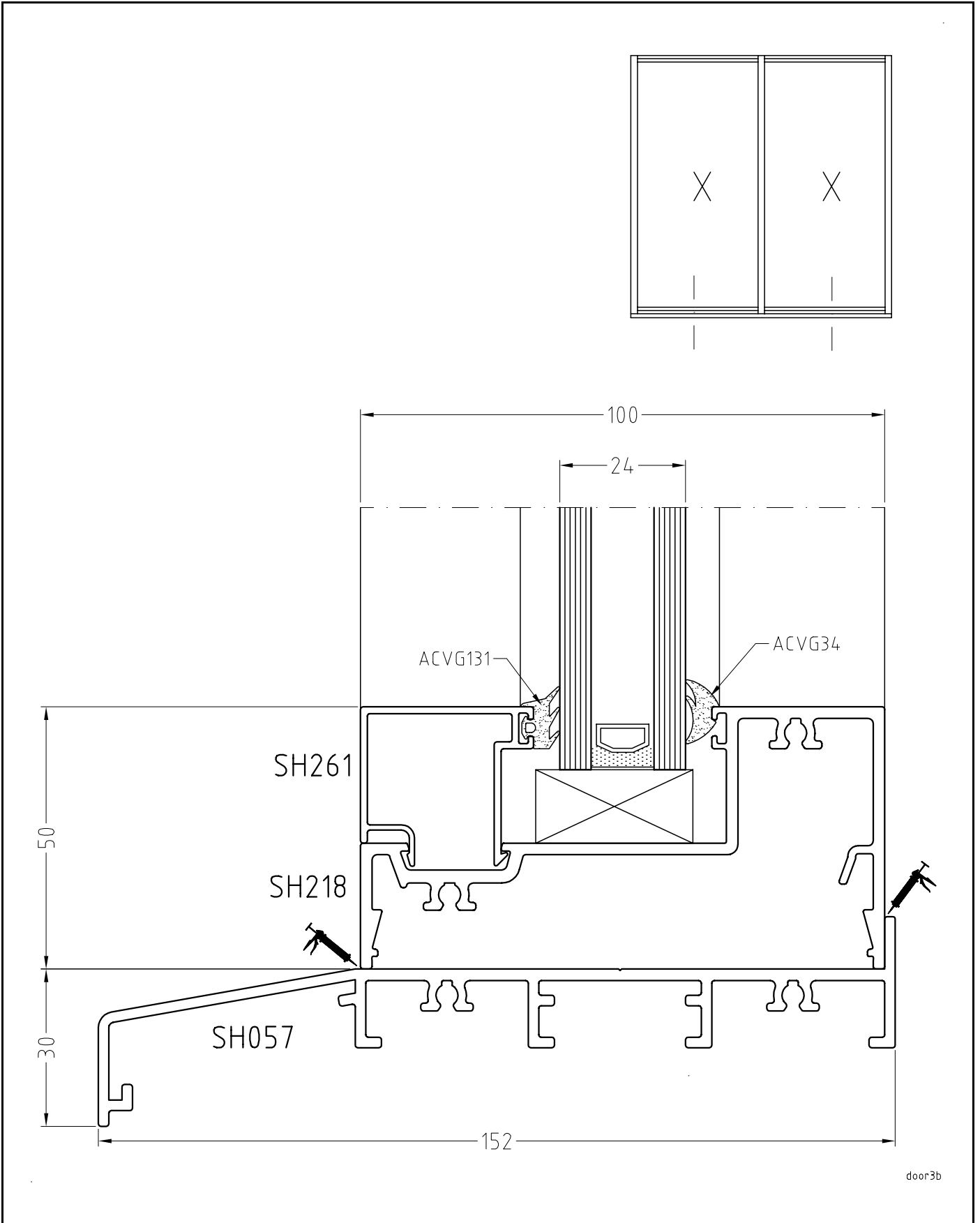
SECTION

3B



SECTION

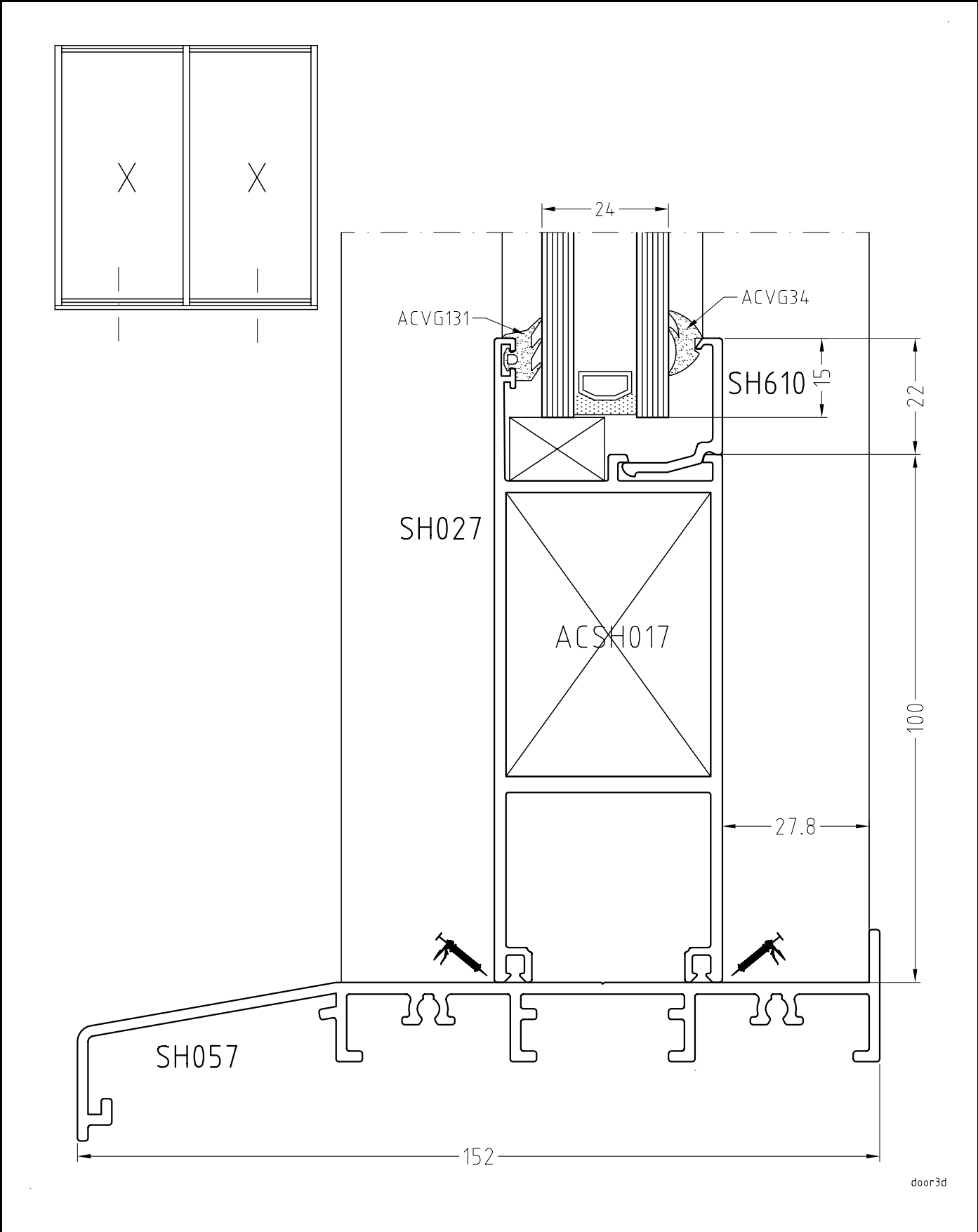
3C



door3b

SECTION

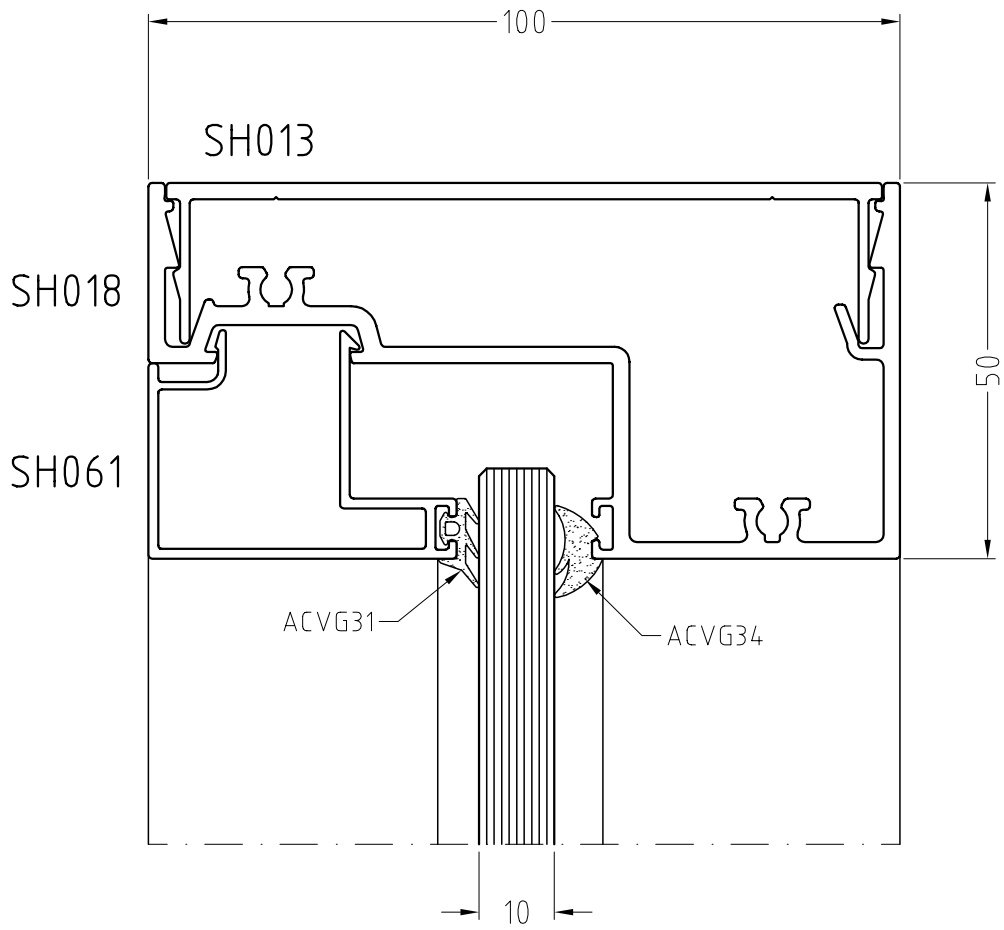
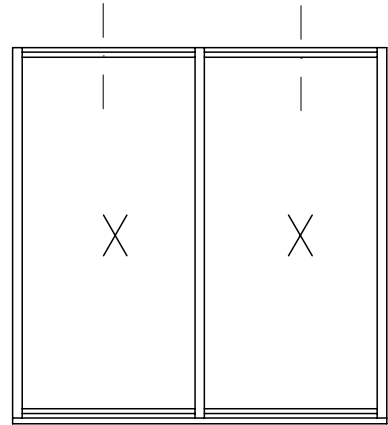
3D



door3d

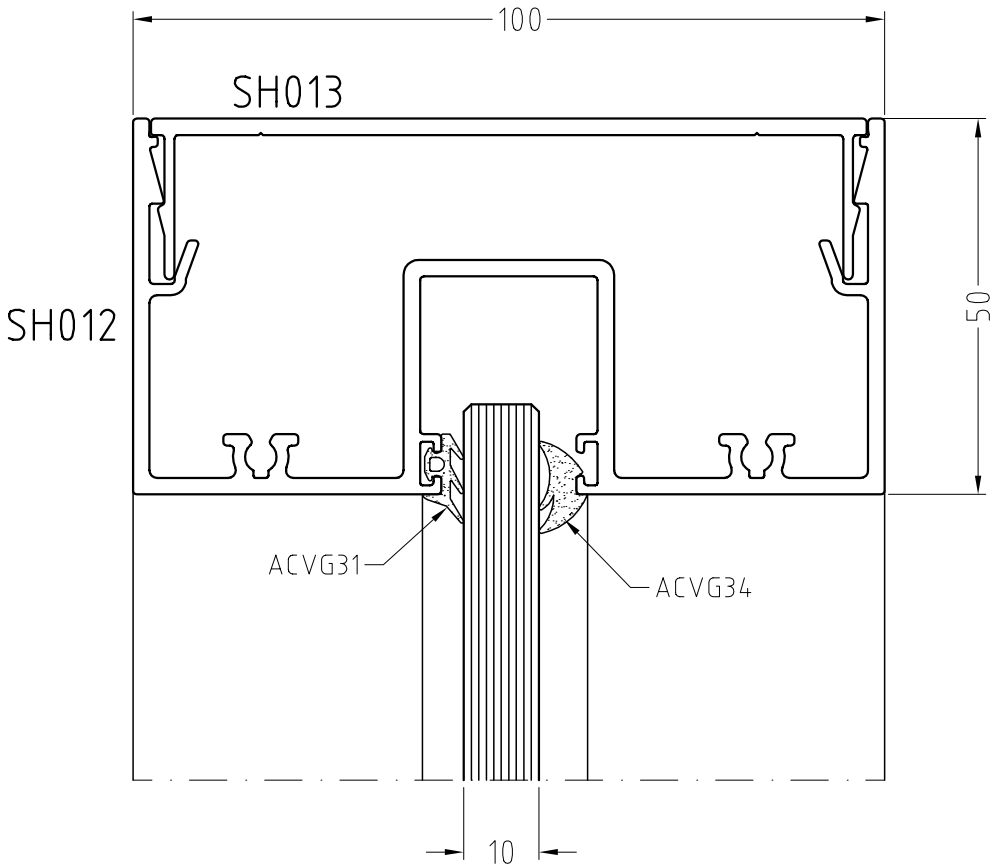
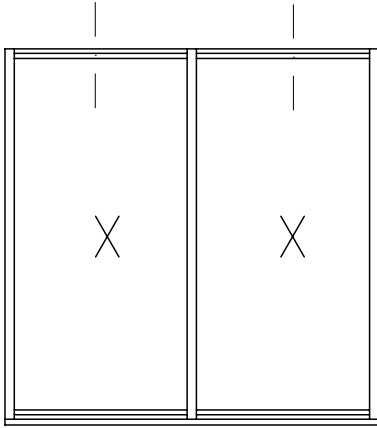
SECTION

4A



door4a

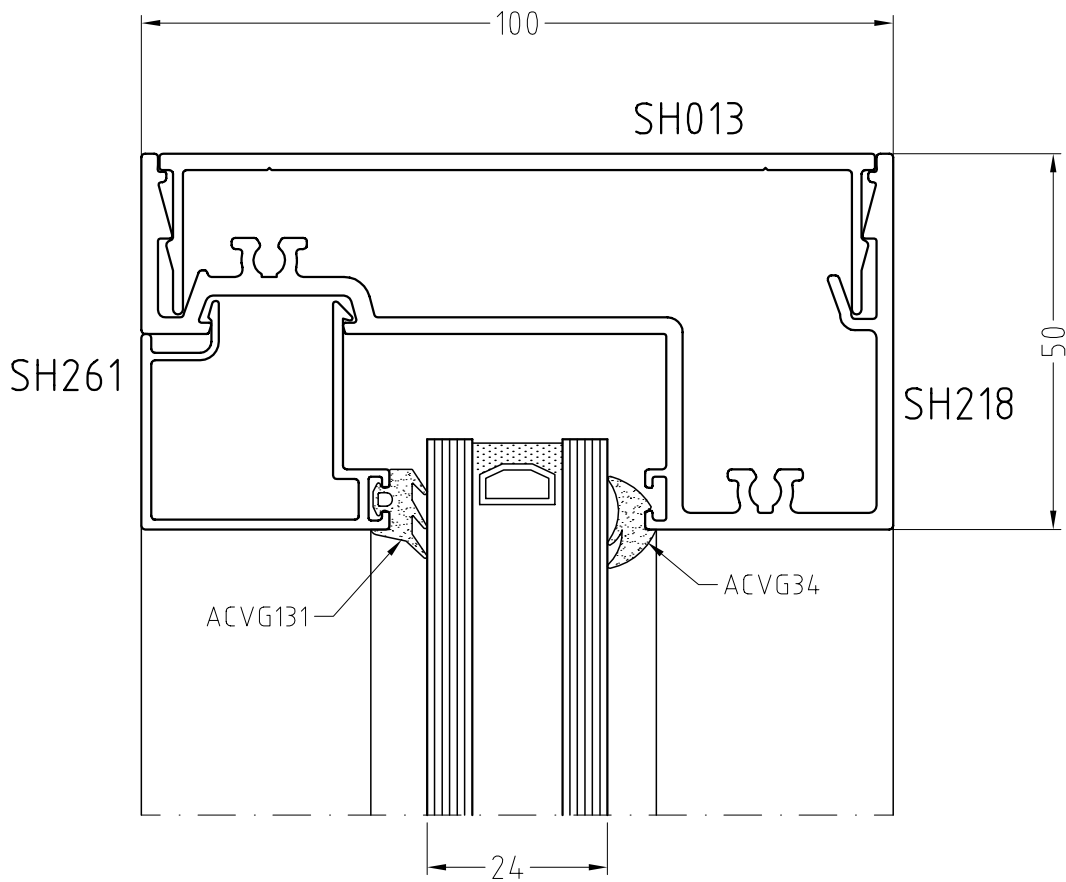
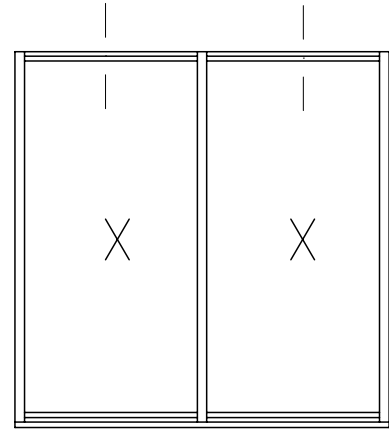
4B



door4c

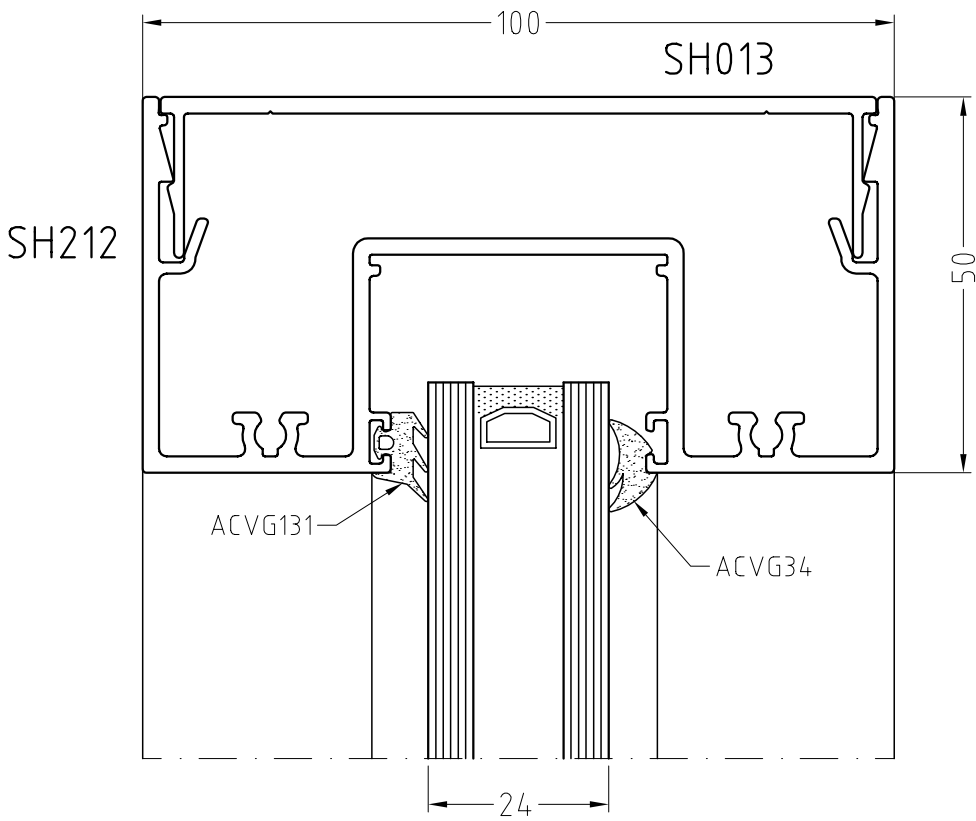
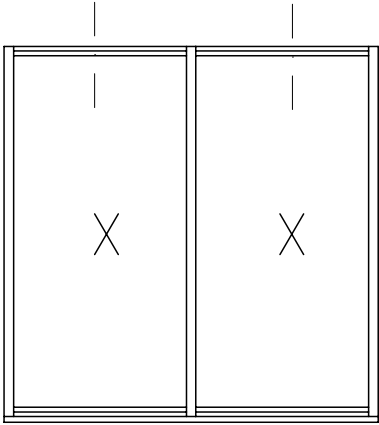
SECTION

4C



door4b

4D

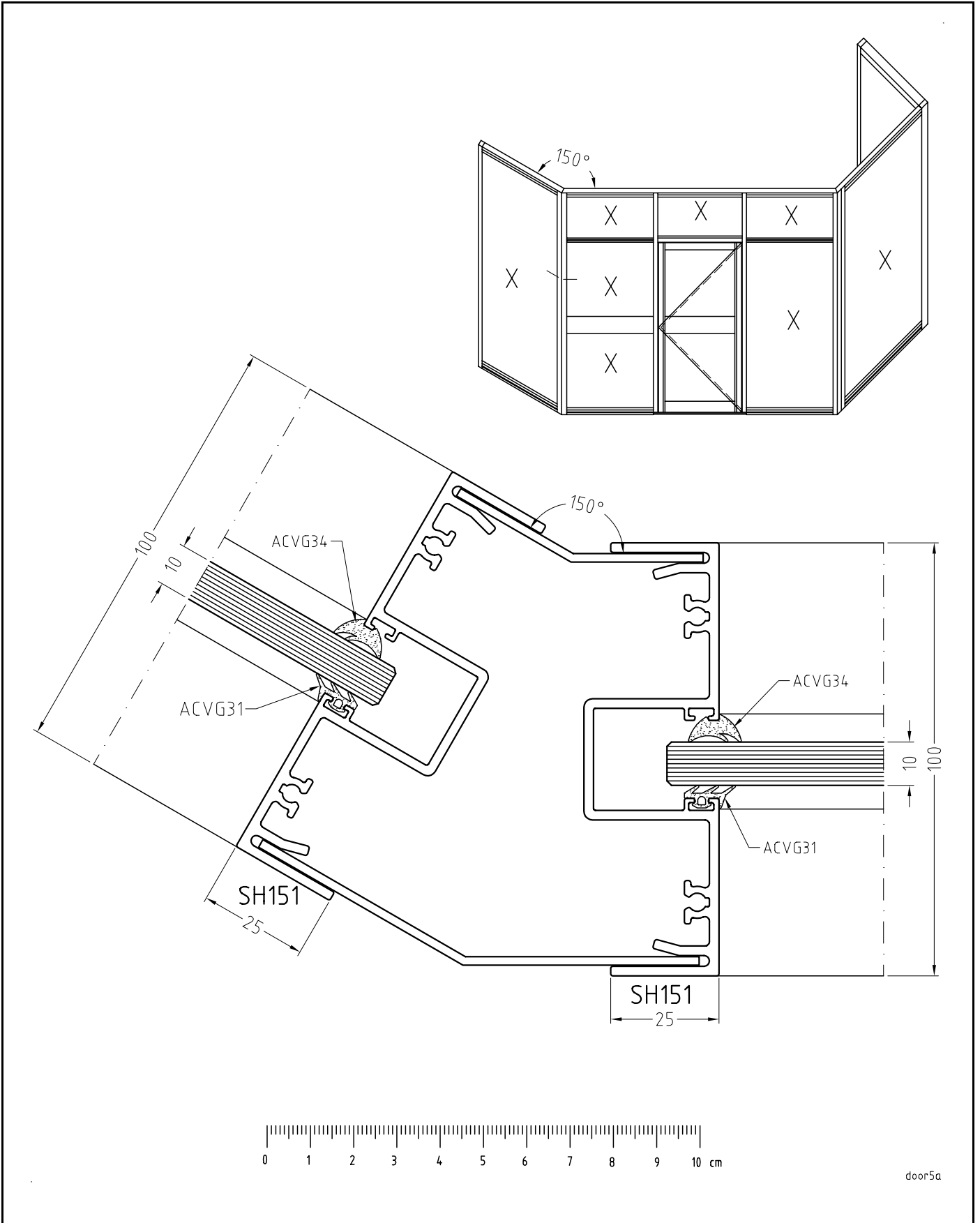


door4d

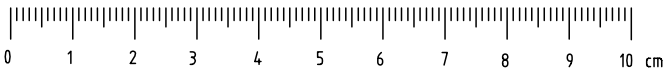
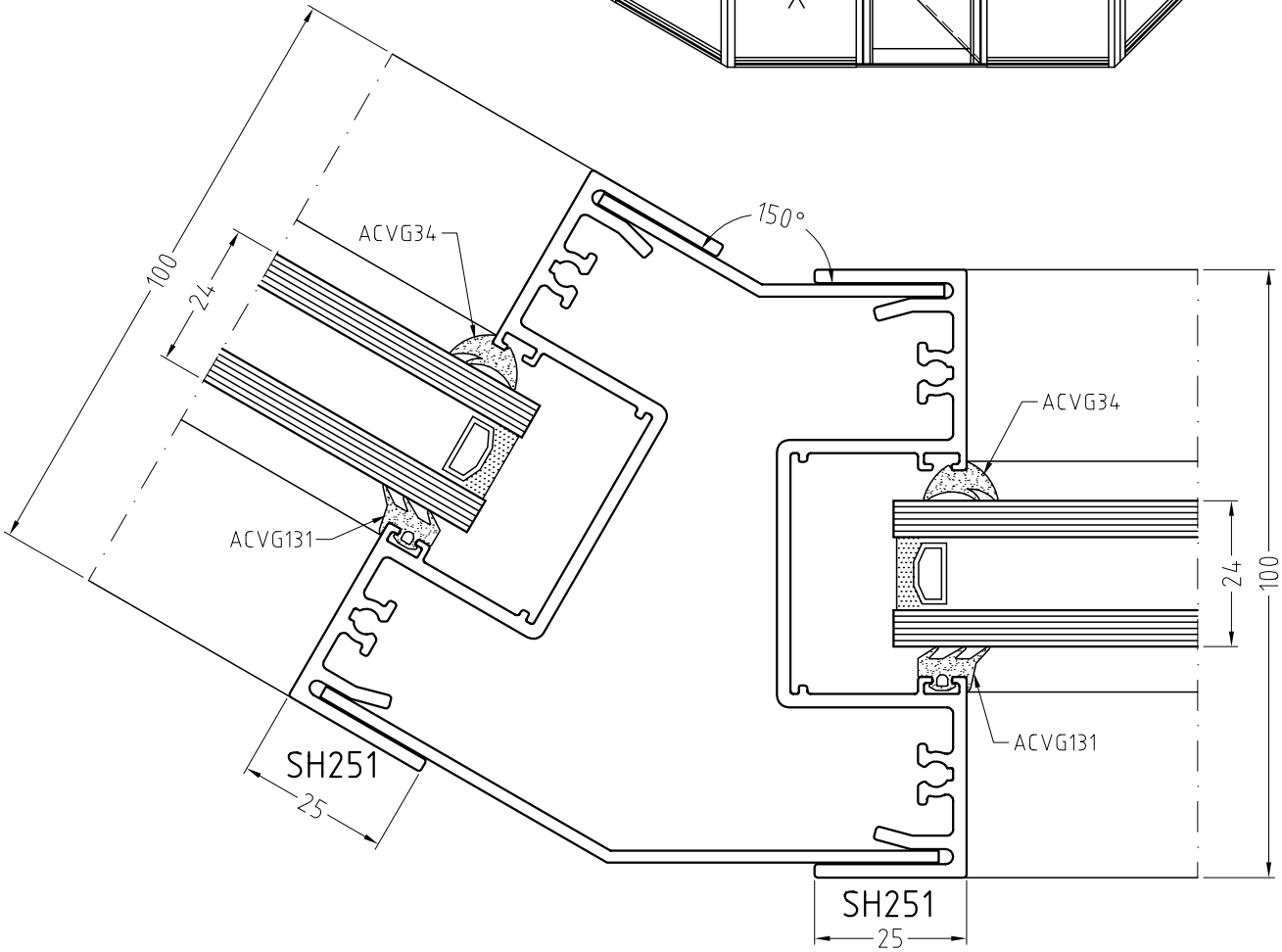
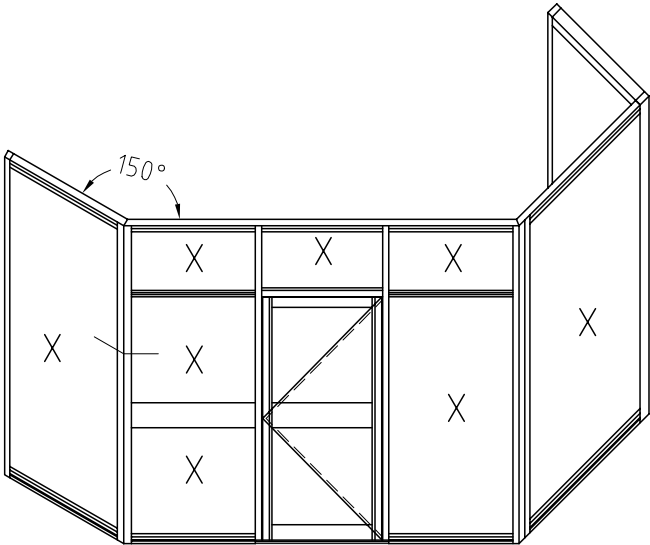


SECTION

5A



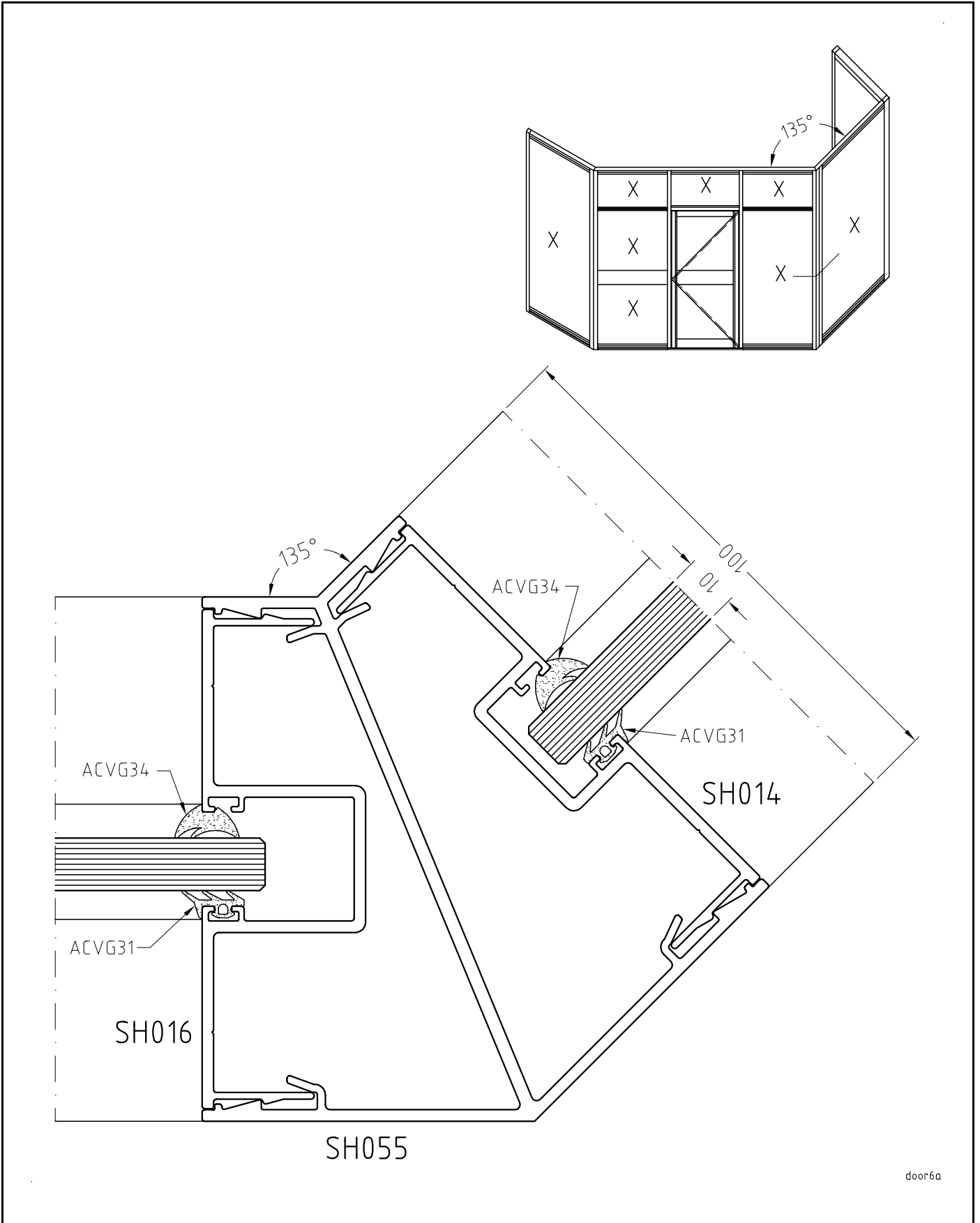
5B



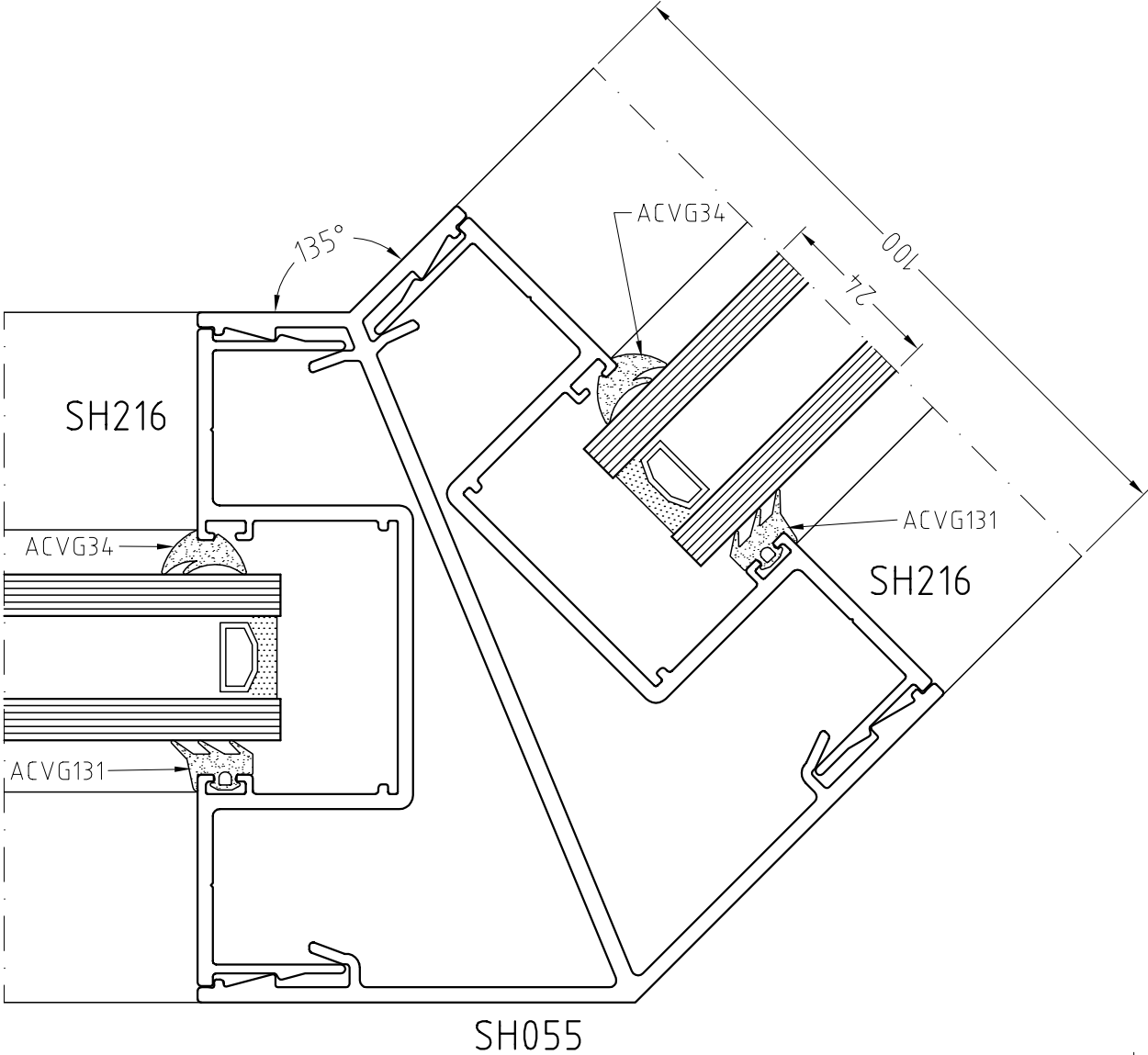
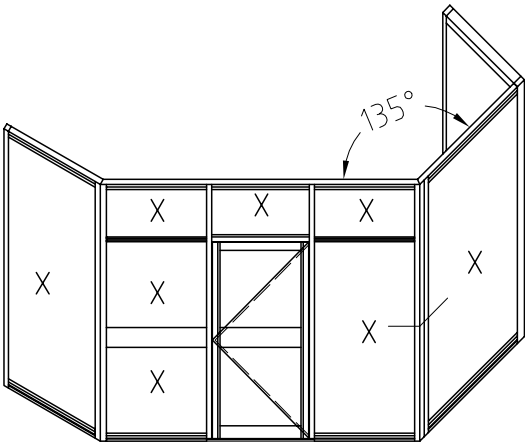
door5b

SECTION

6A



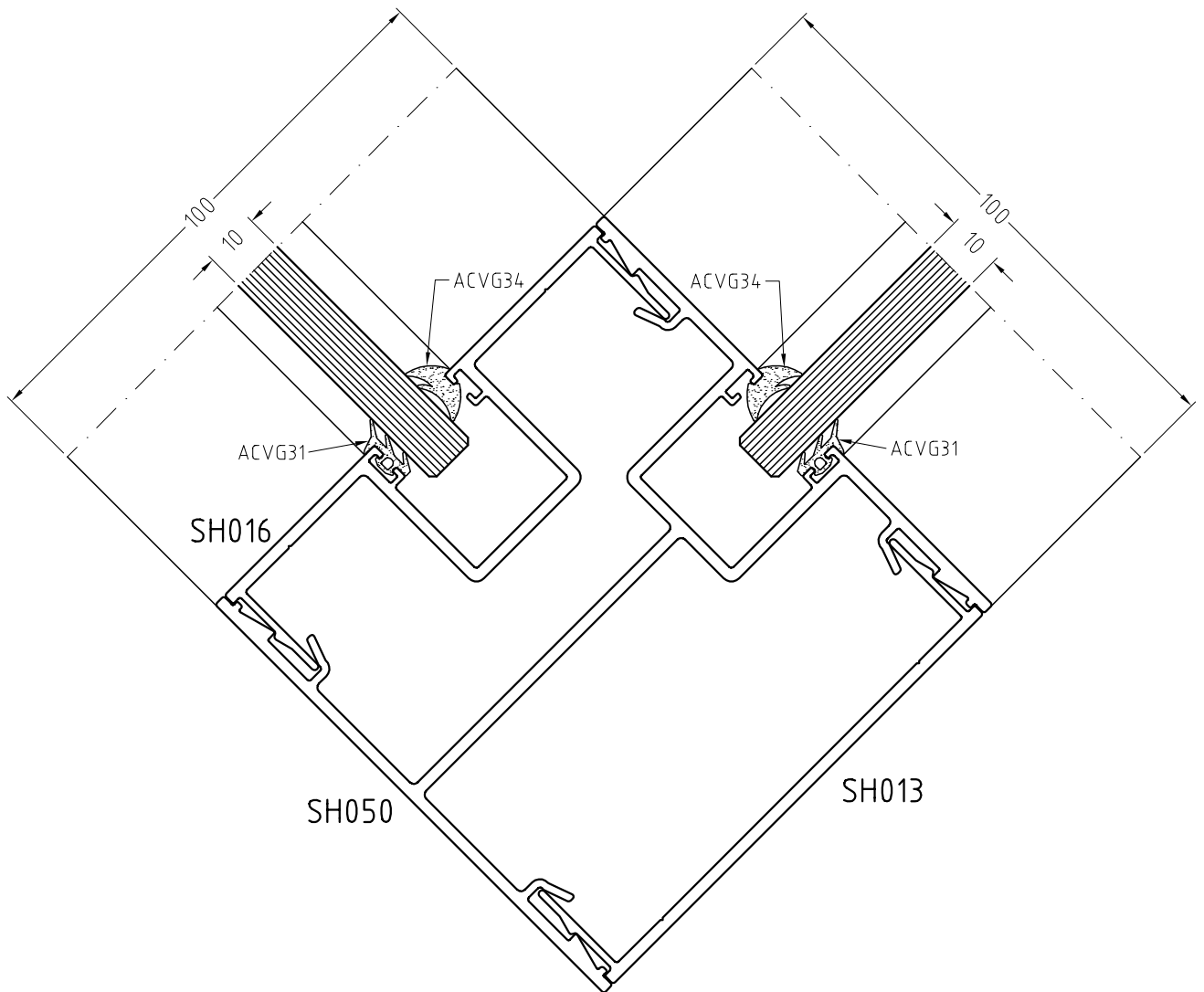
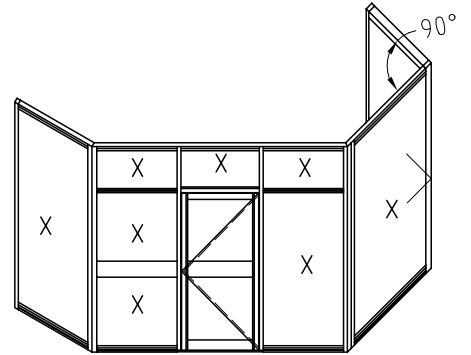
6B



door6b

SECTION

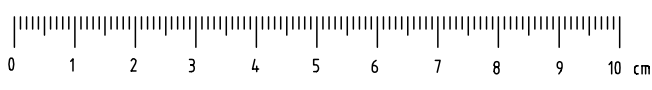
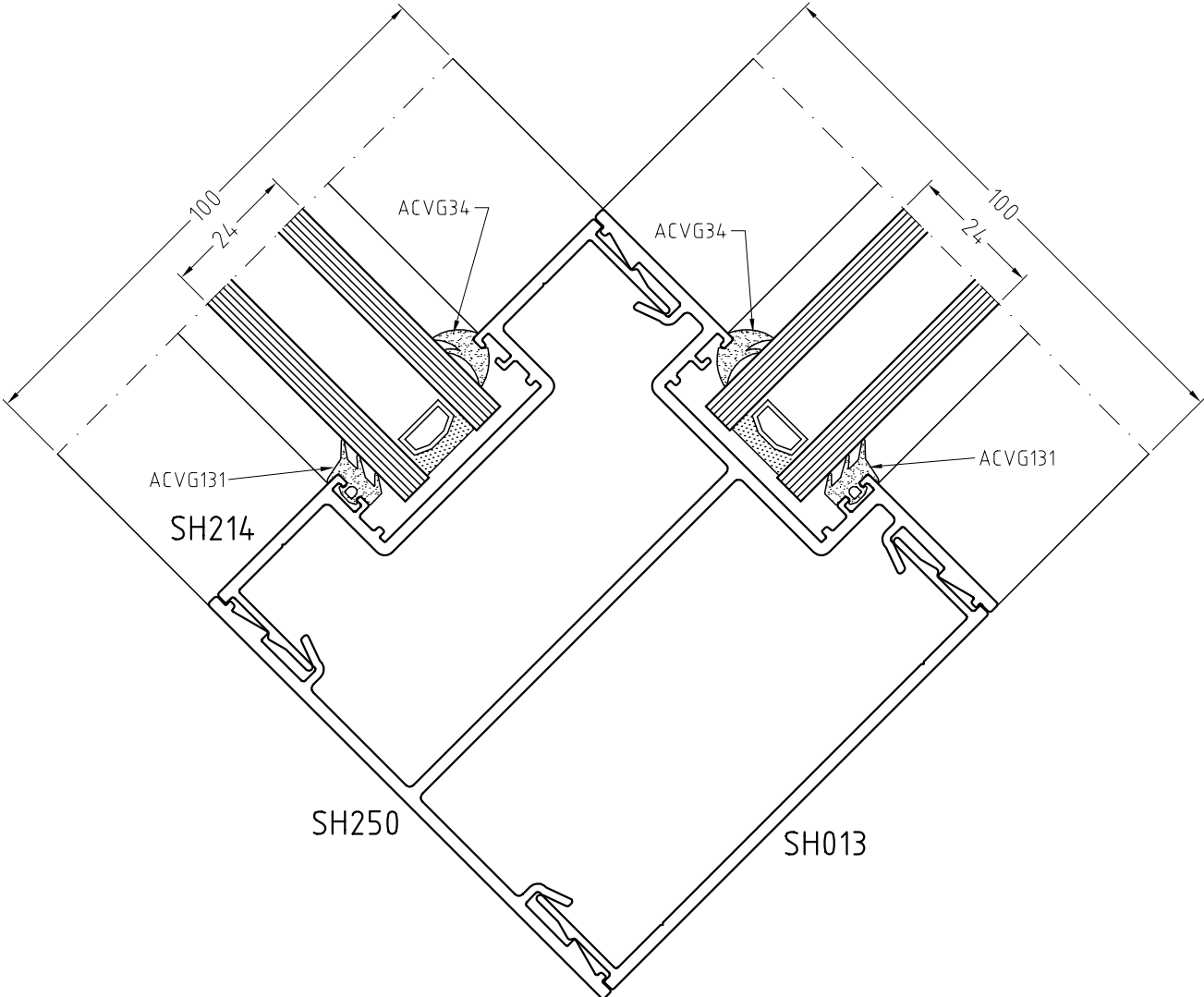
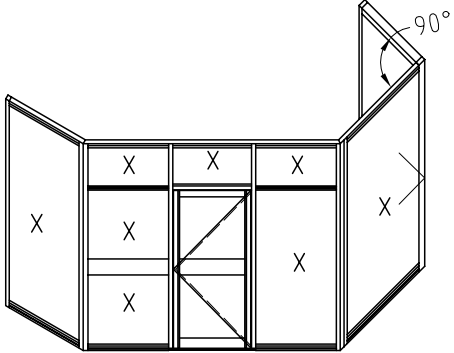
## 7A



door7a

SECTION

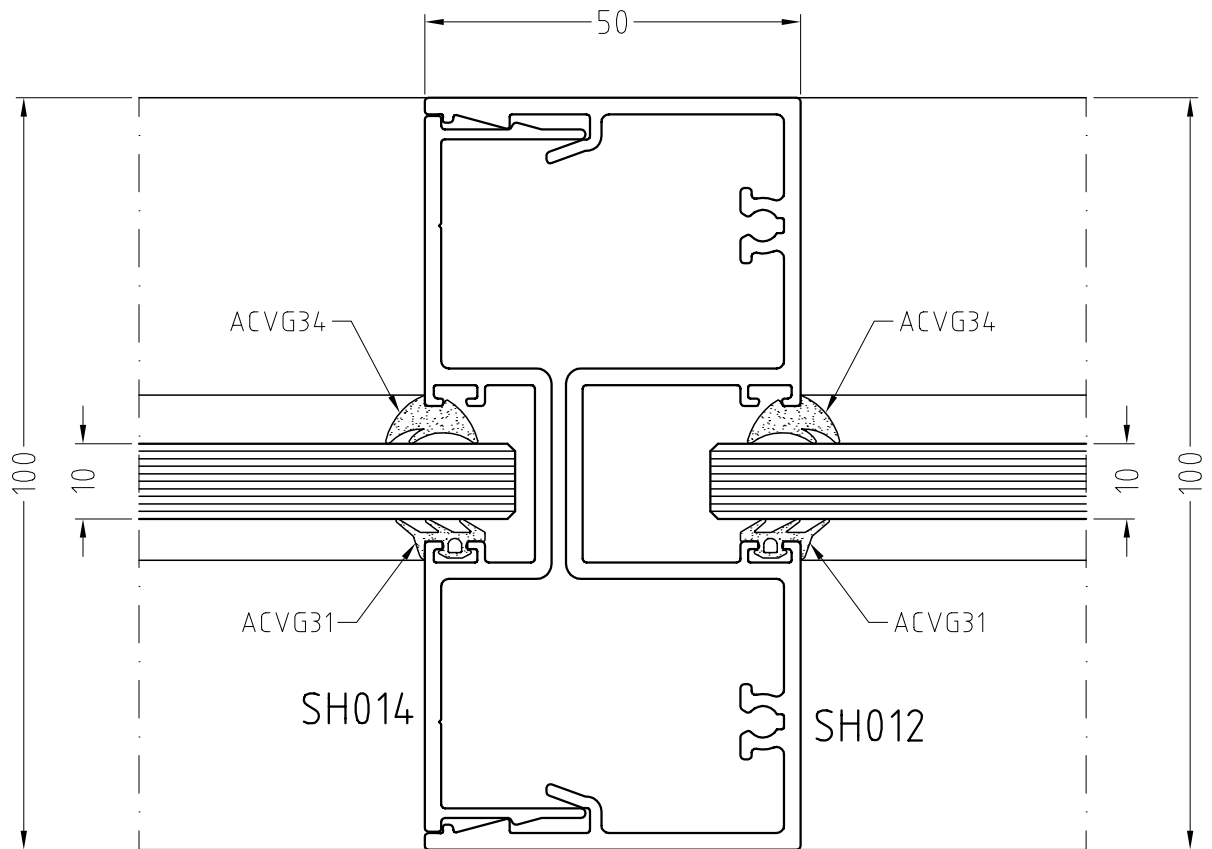
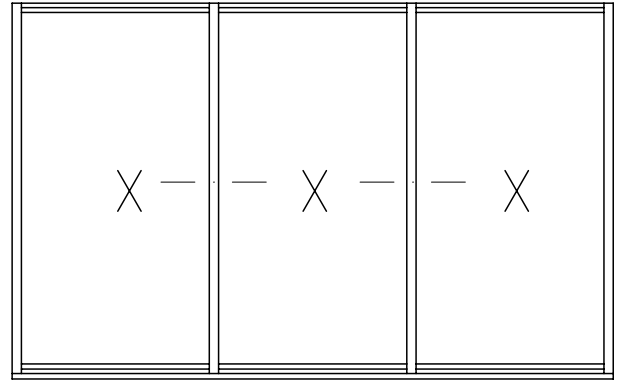
7B



door7b

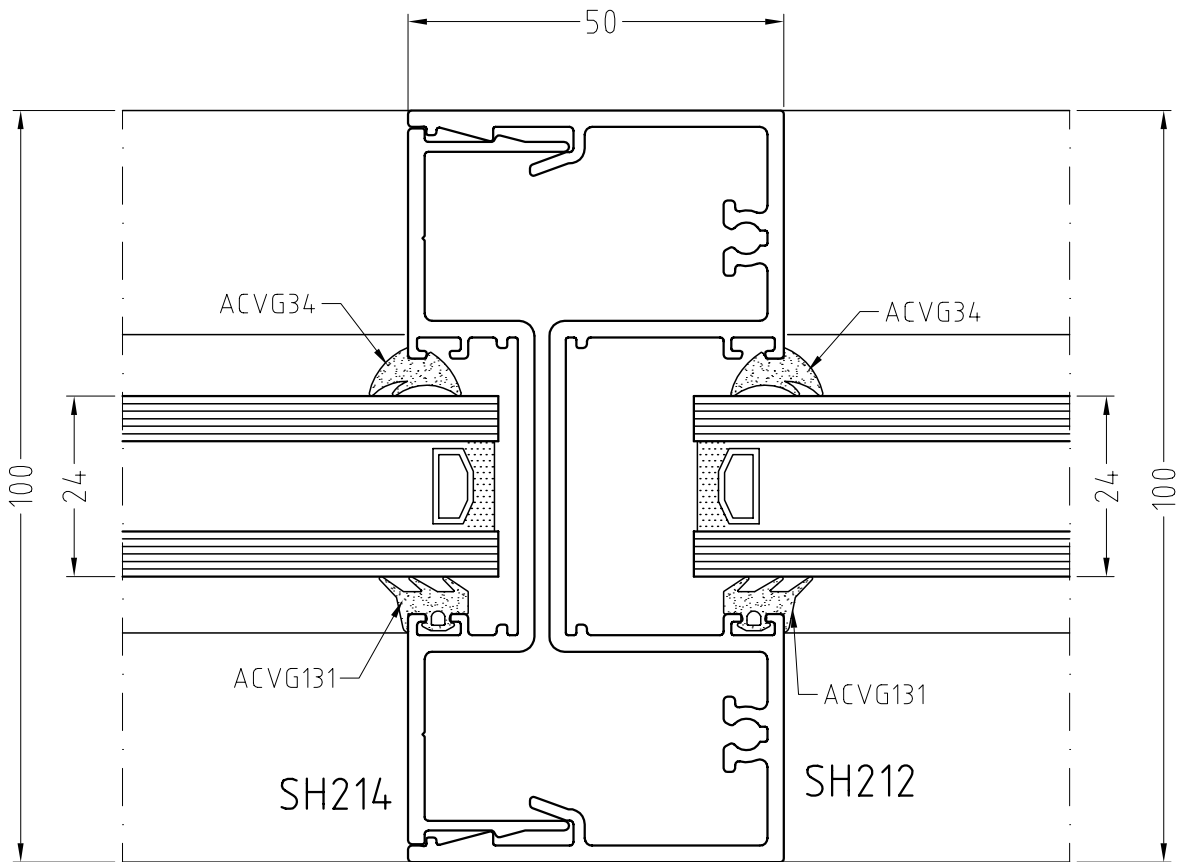
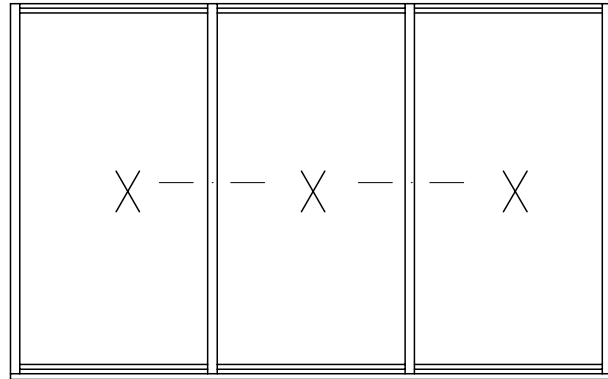
SECTION

8A



door8a

8B

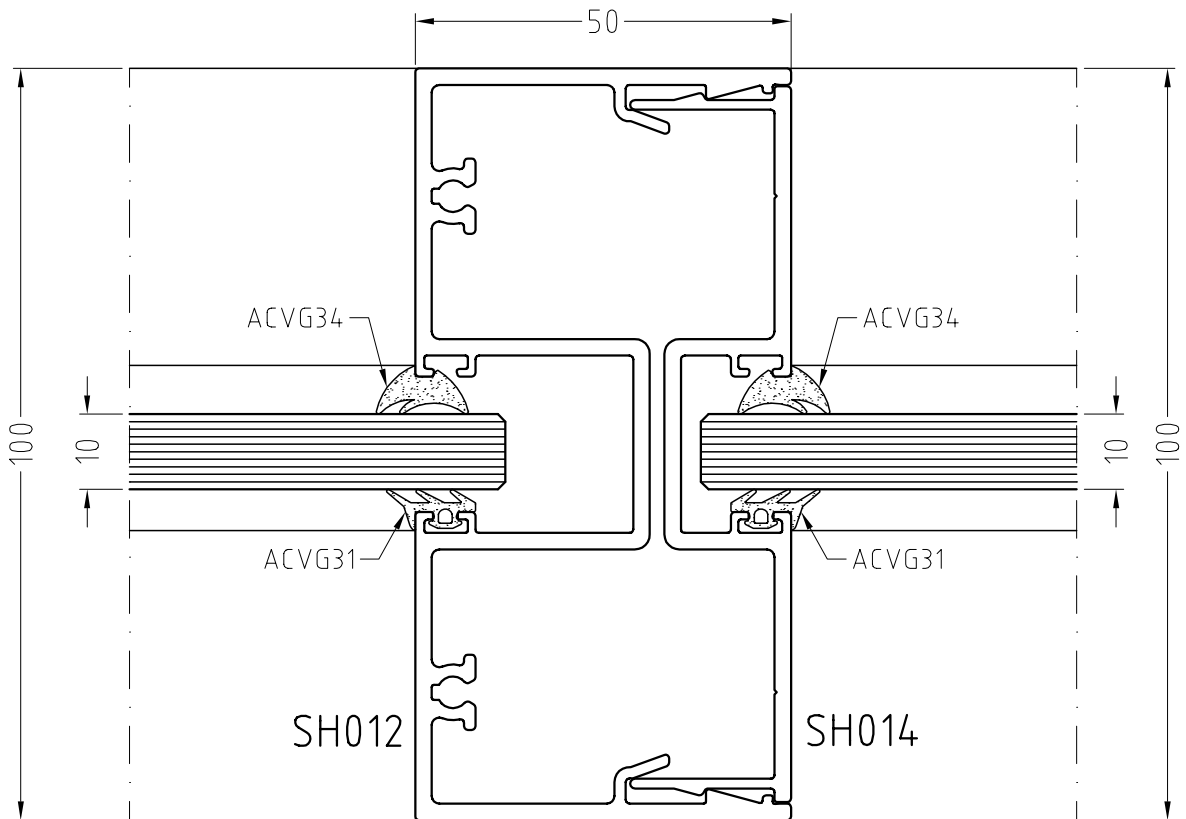
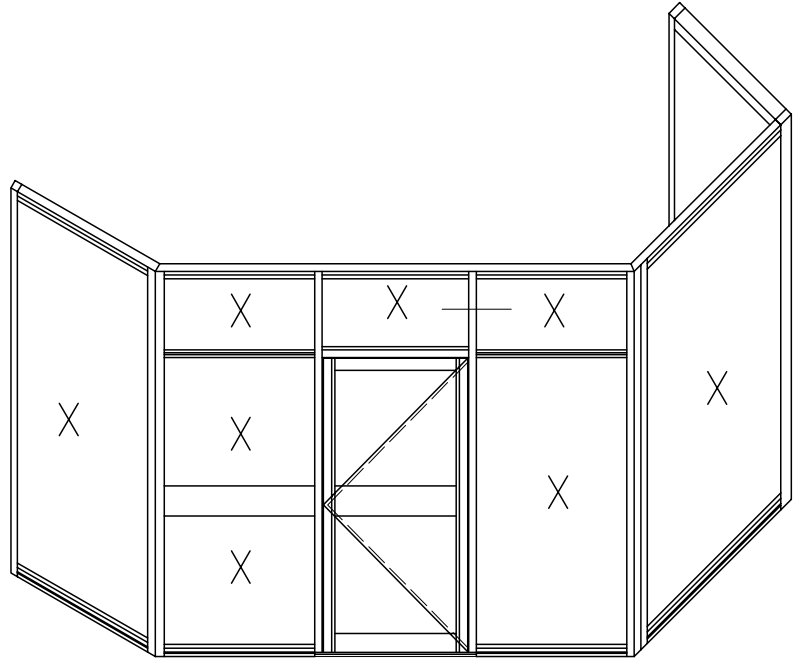


door8b



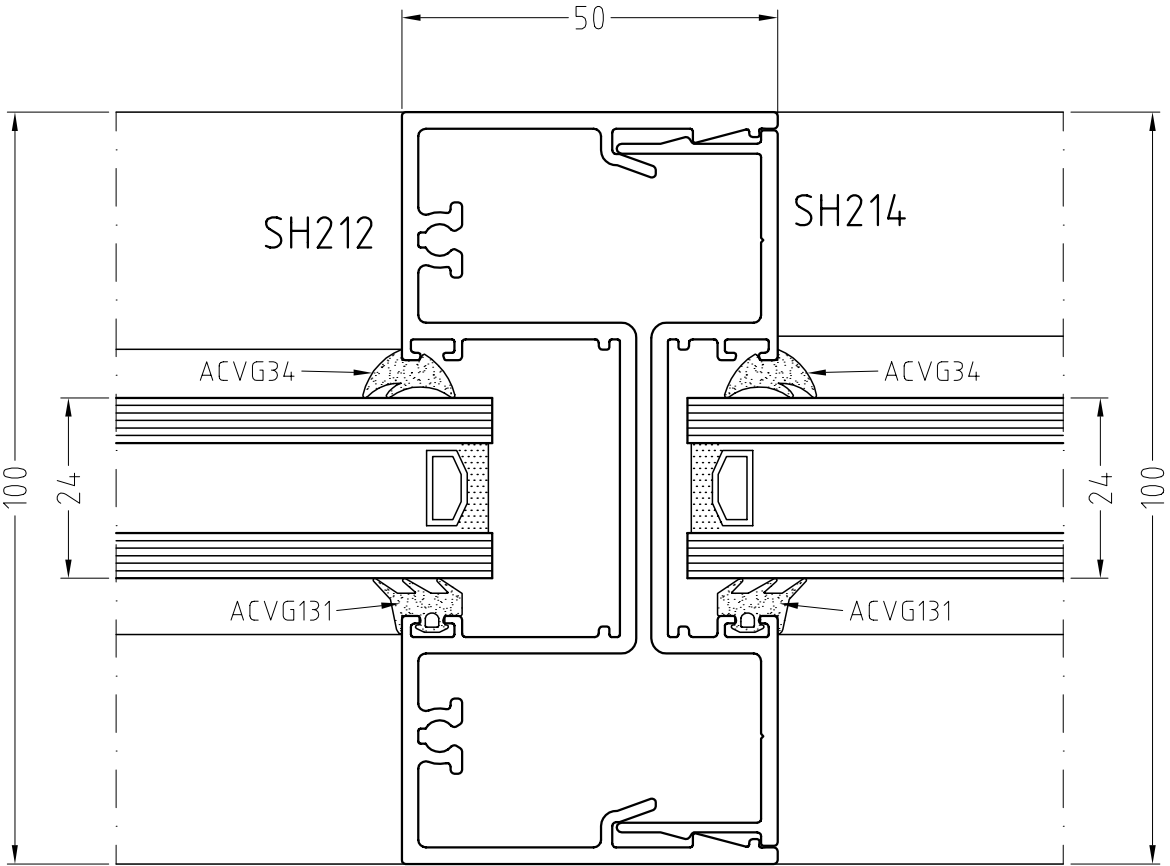
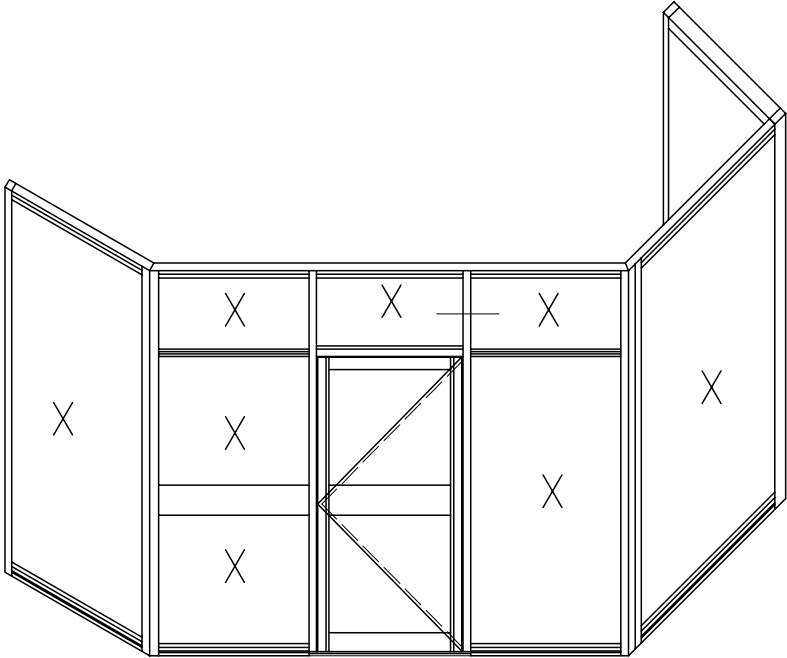
SECTION

9A



door9a

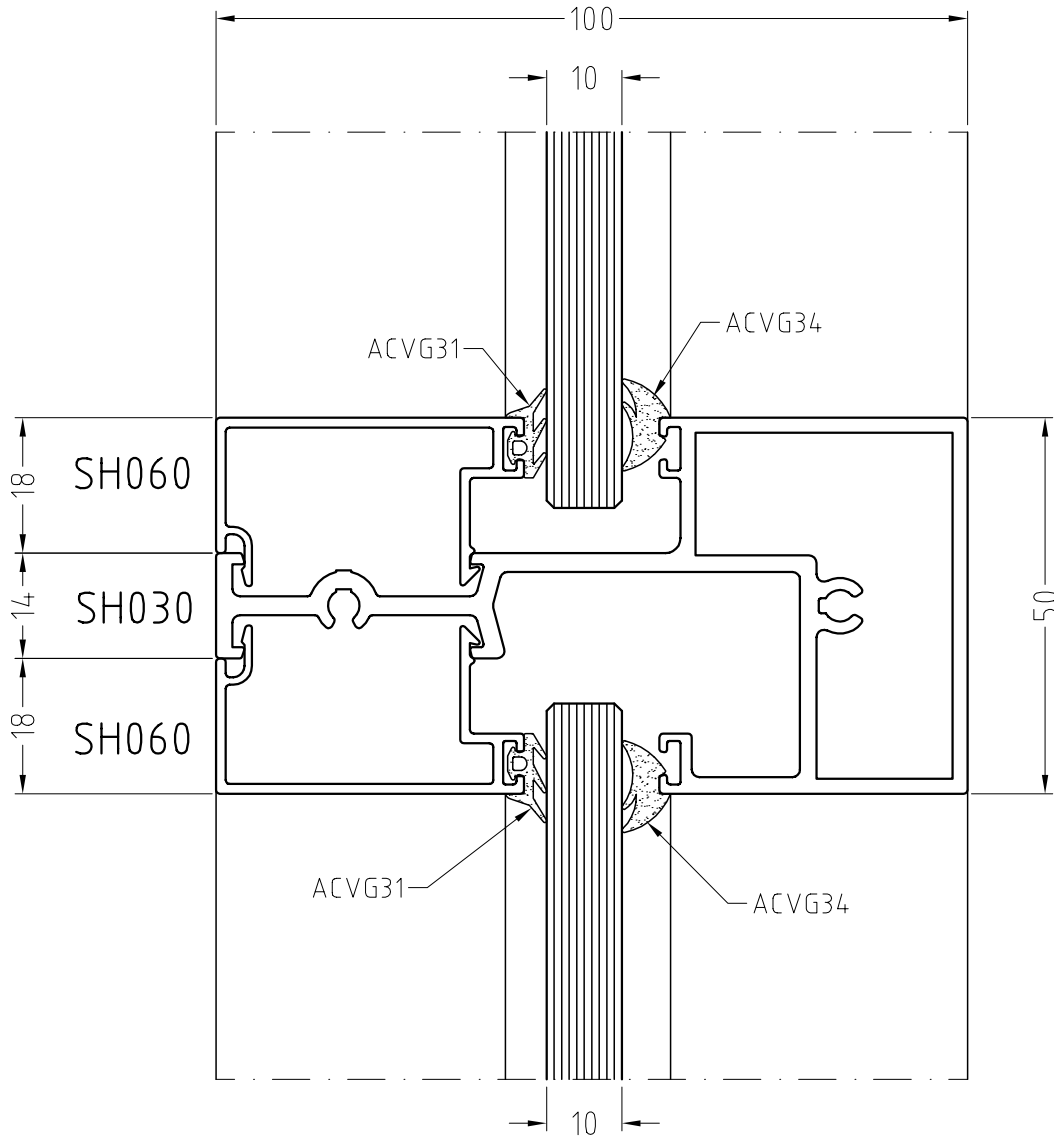
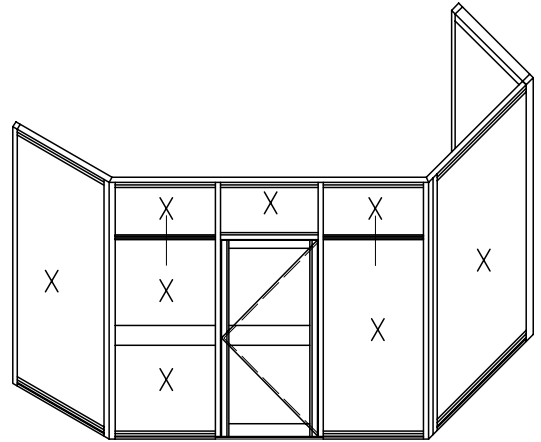
9B



door9b

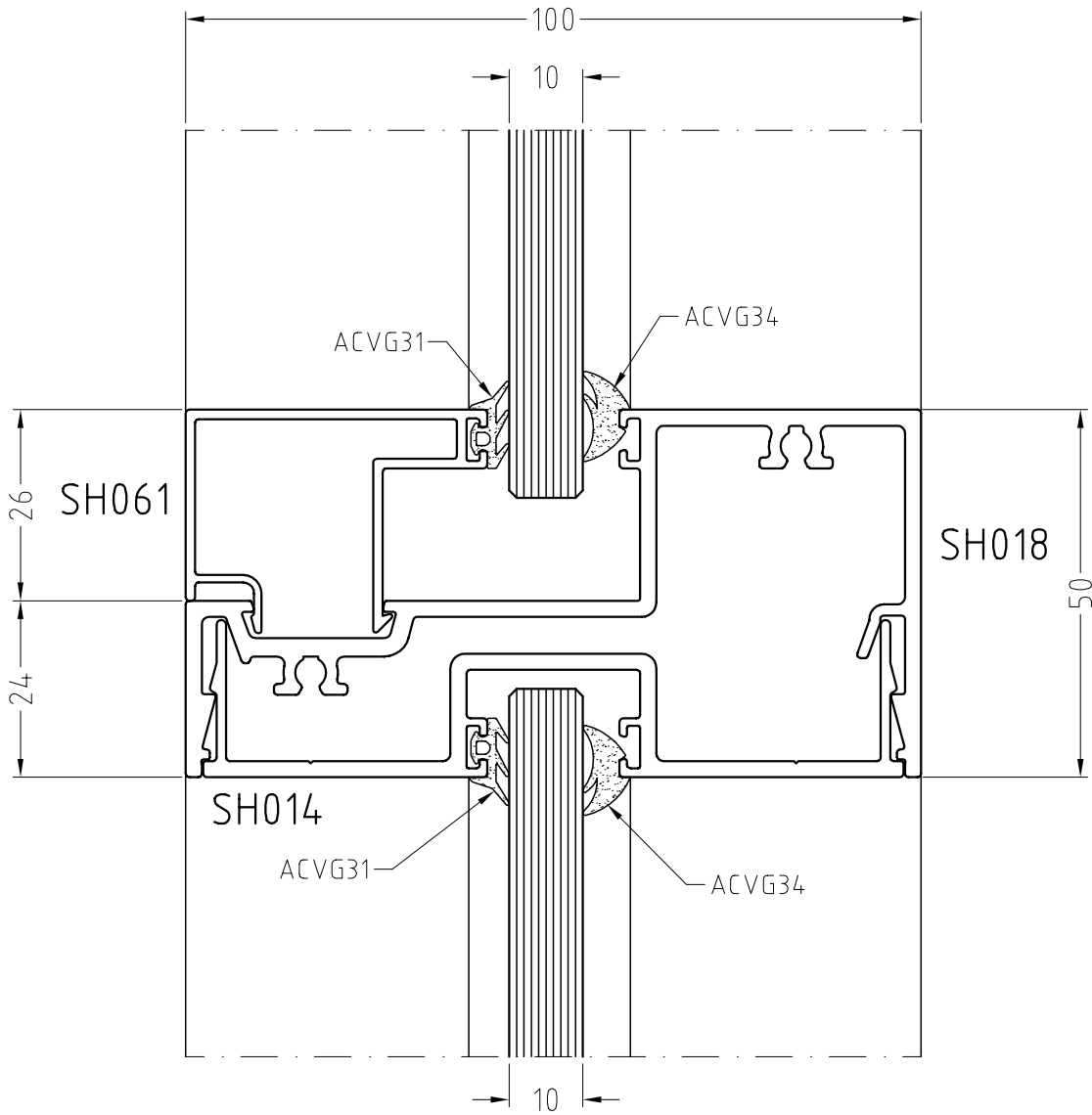
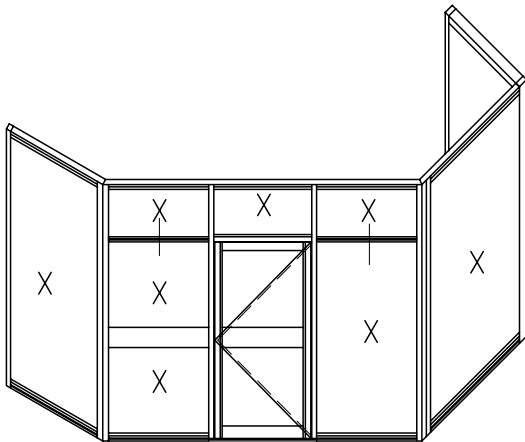
SECTION

10A



door10a

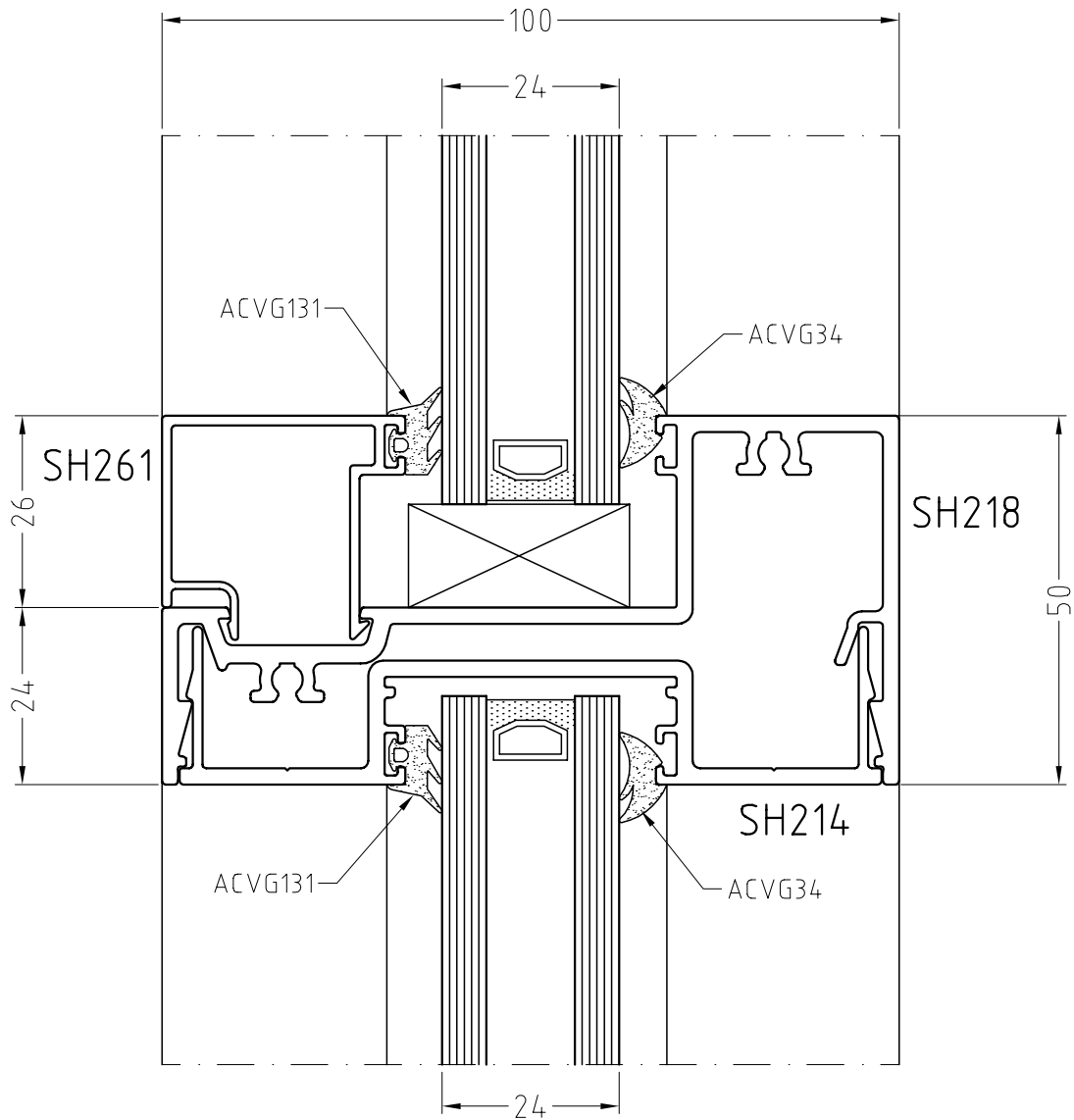
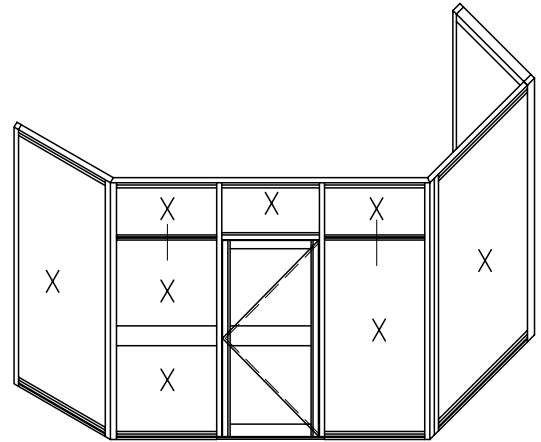
10B



door10c

SECTION

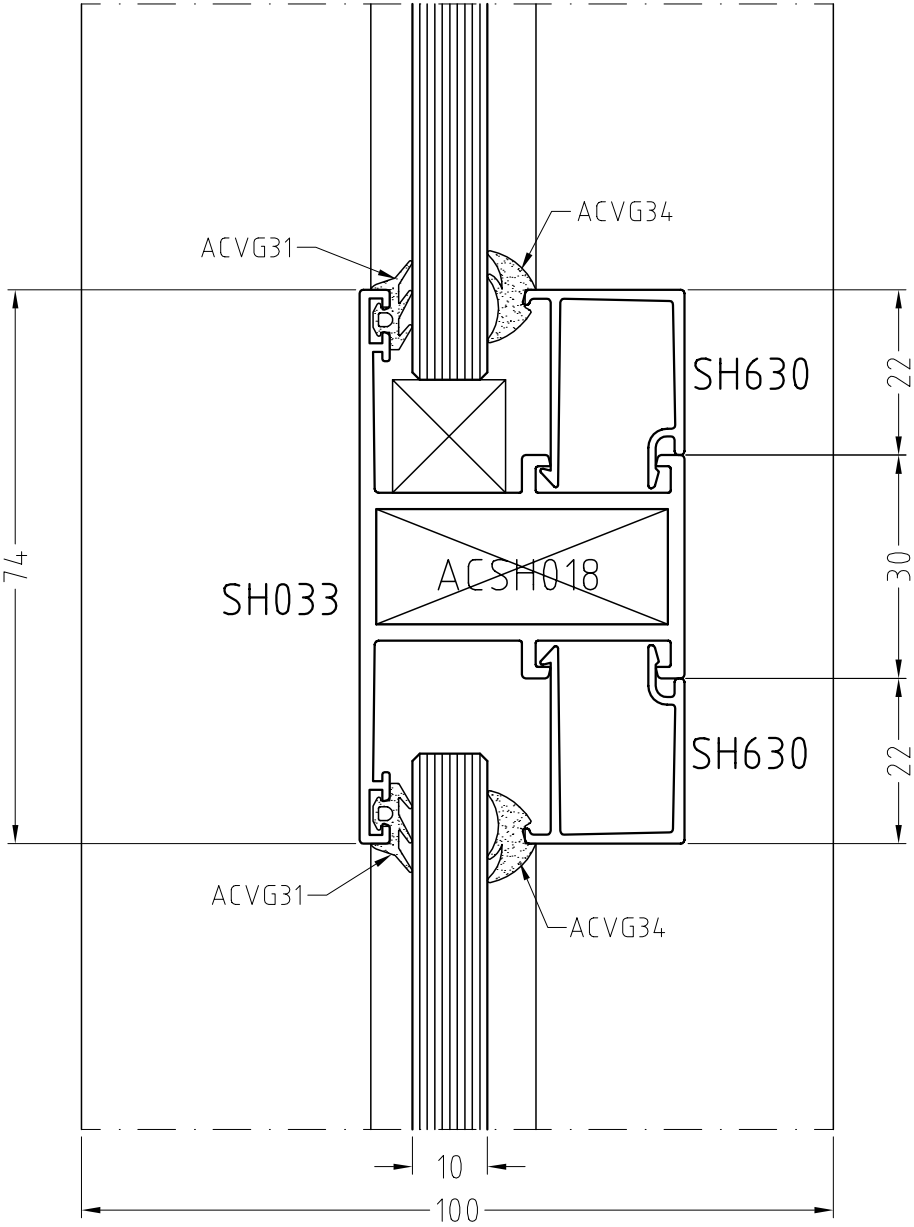
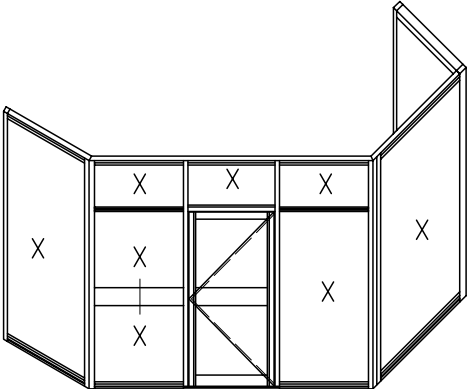
10C



door10b

SECTION

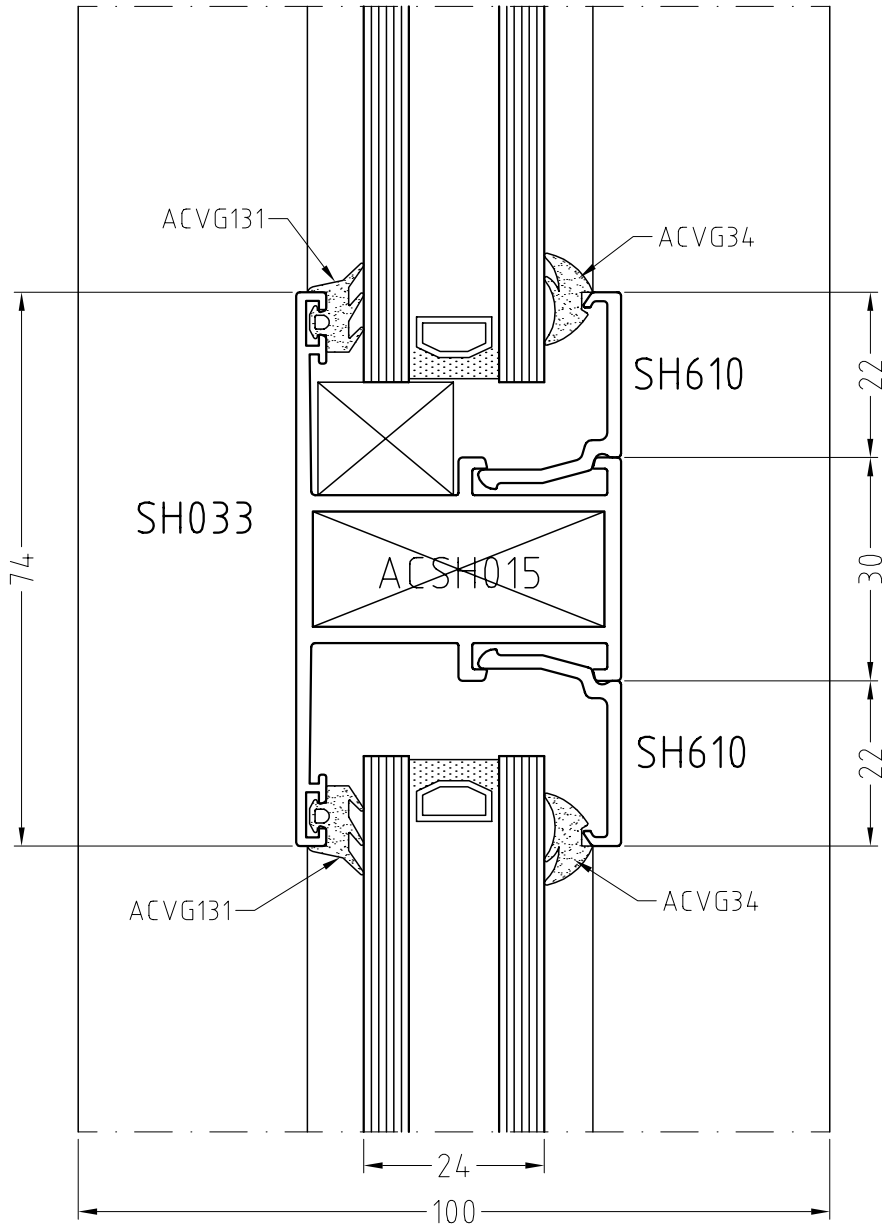
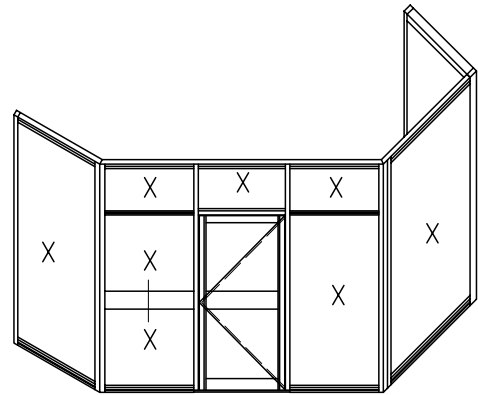
# 11A



door11a

**SECTION**

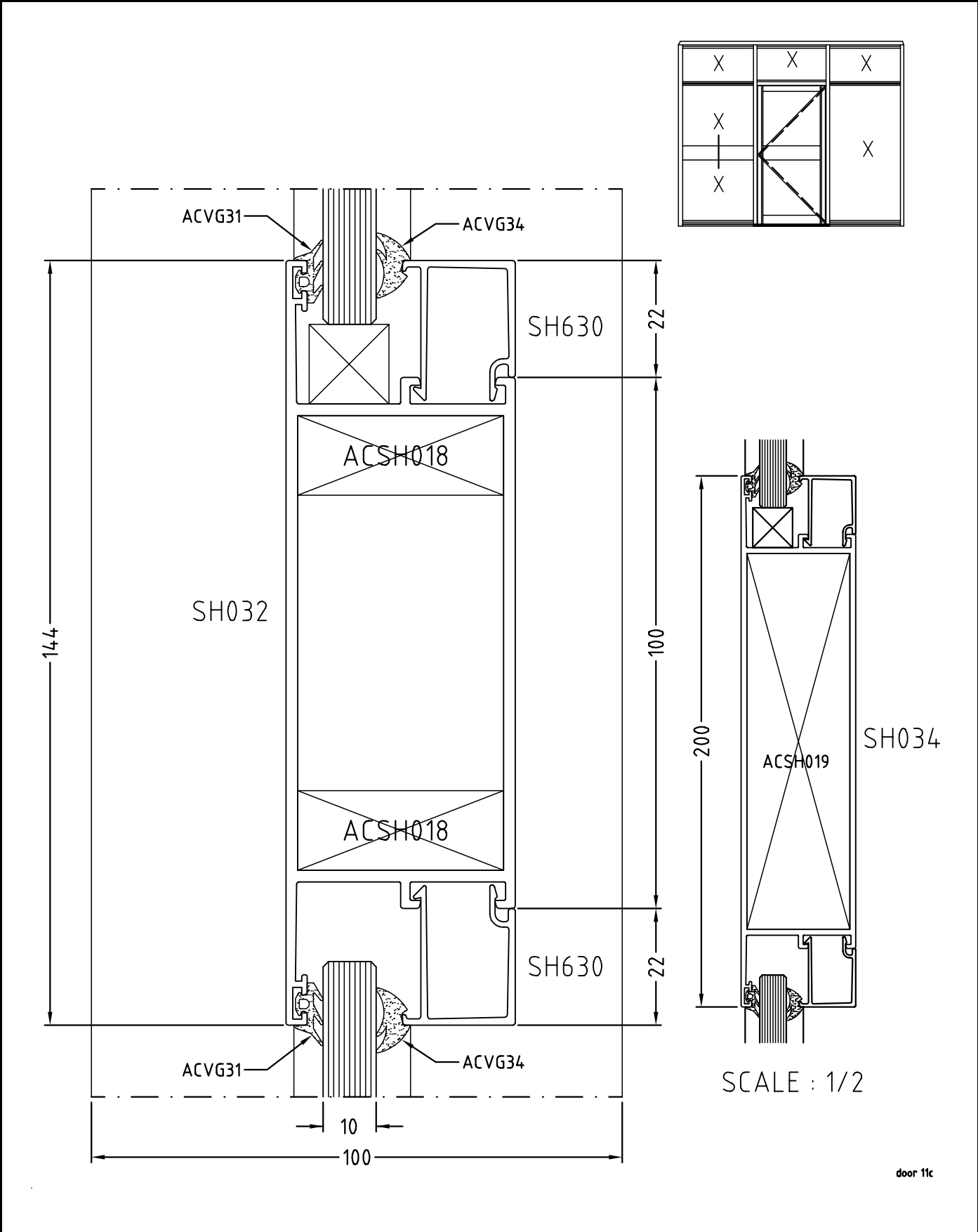
**11B**



door11b

SECTION

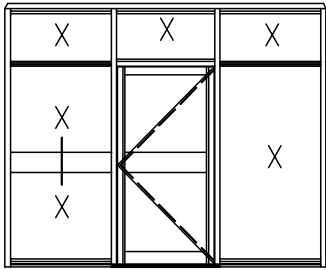
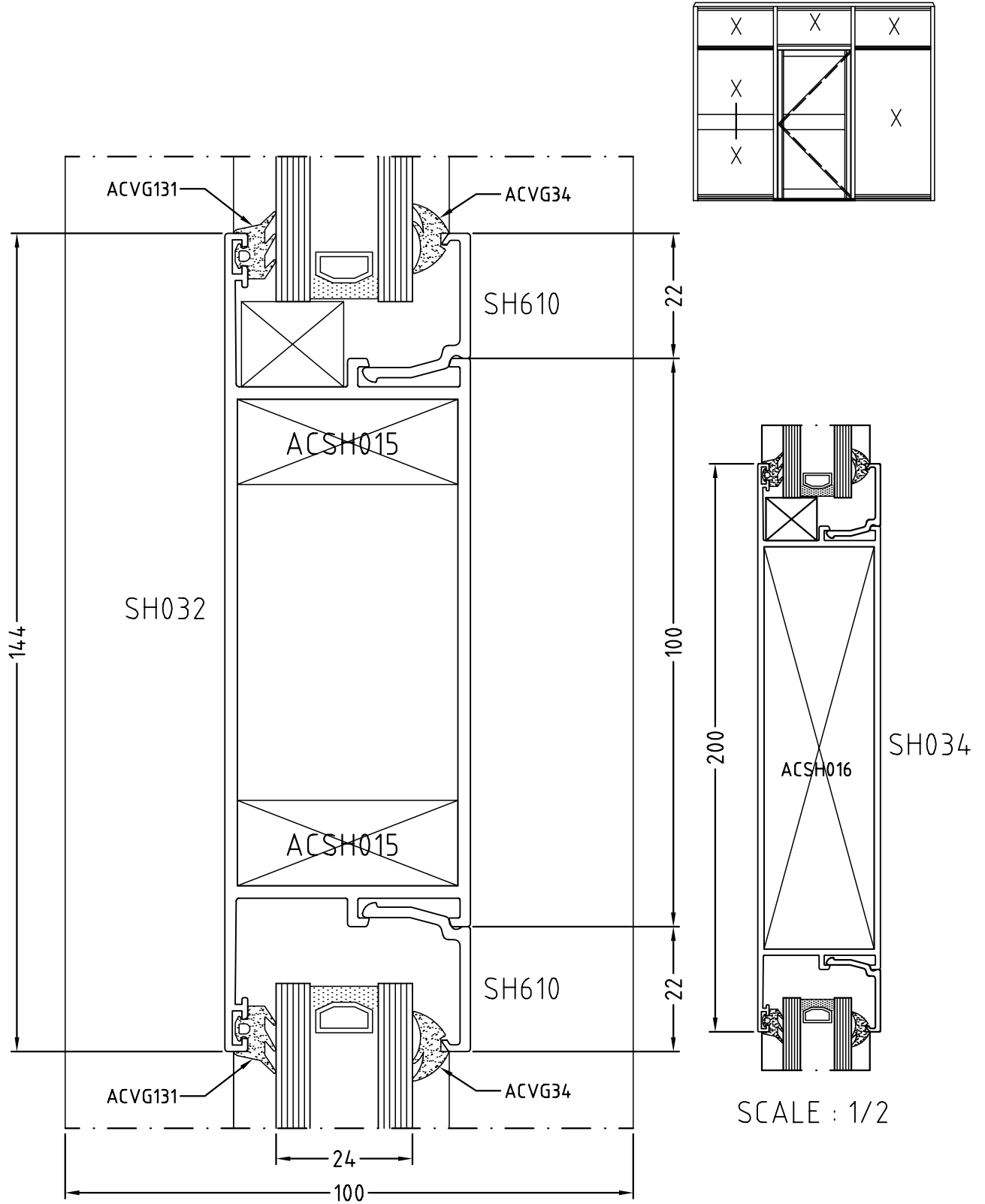
11C





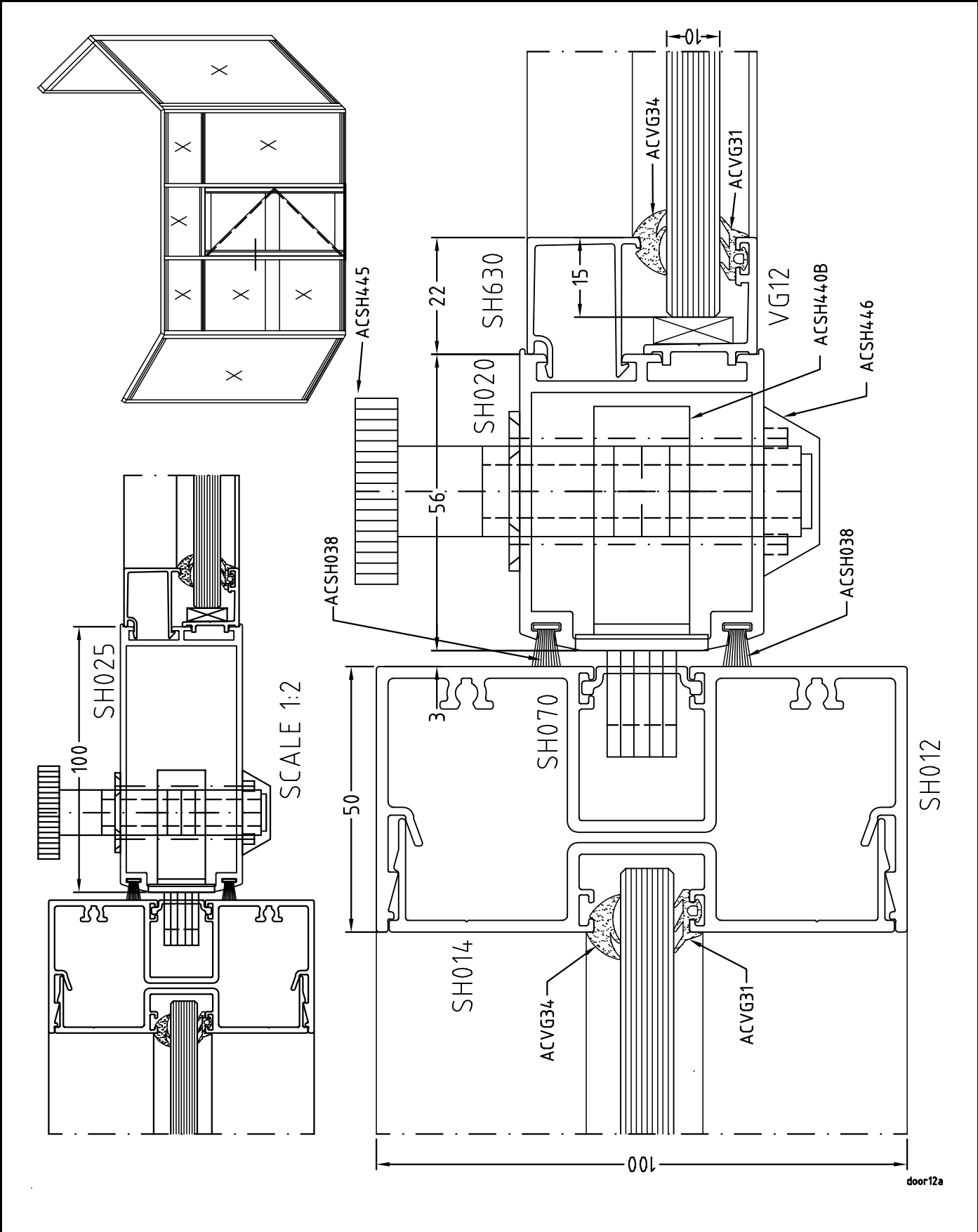
SECTION

# 11D



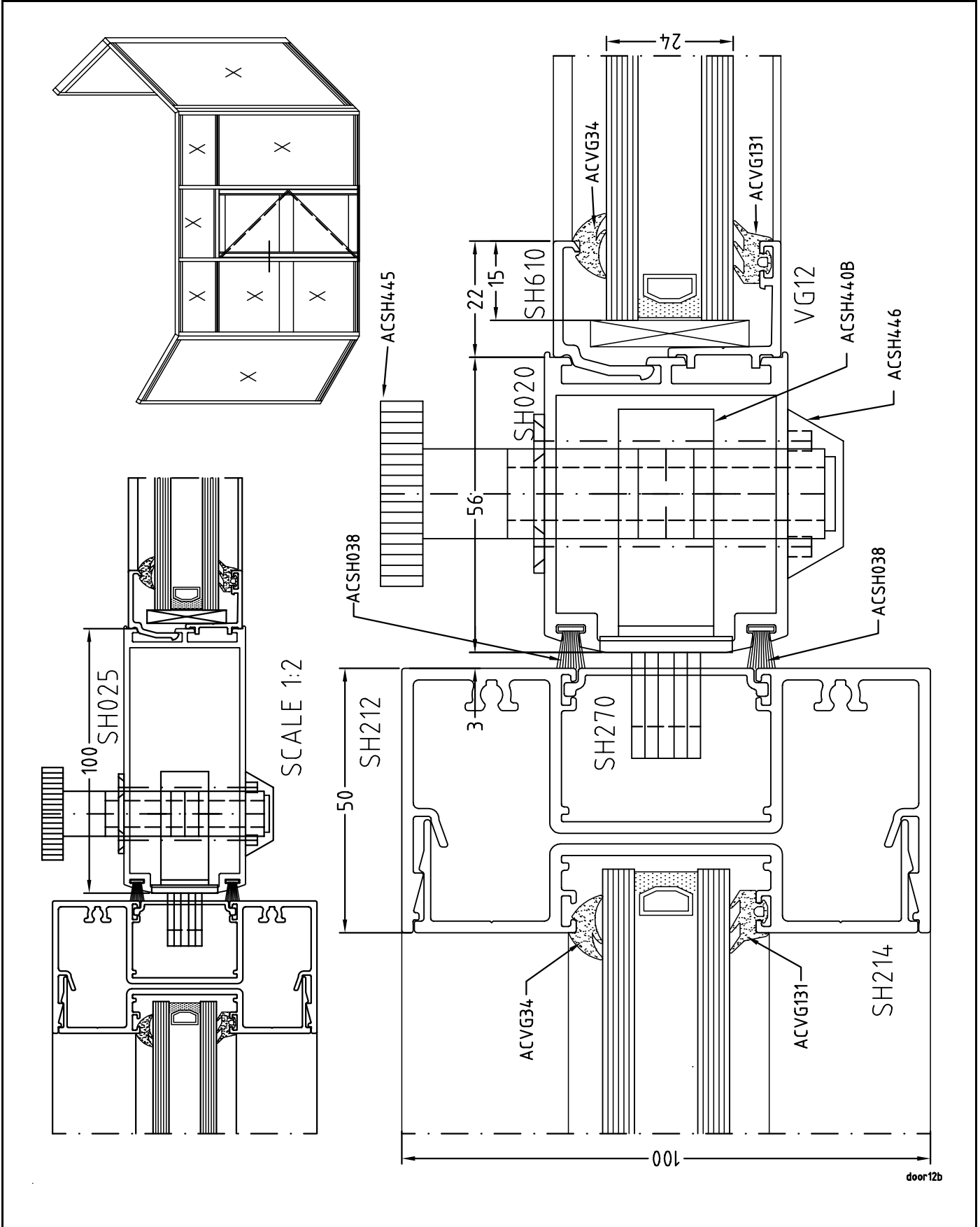
door 11d

12A



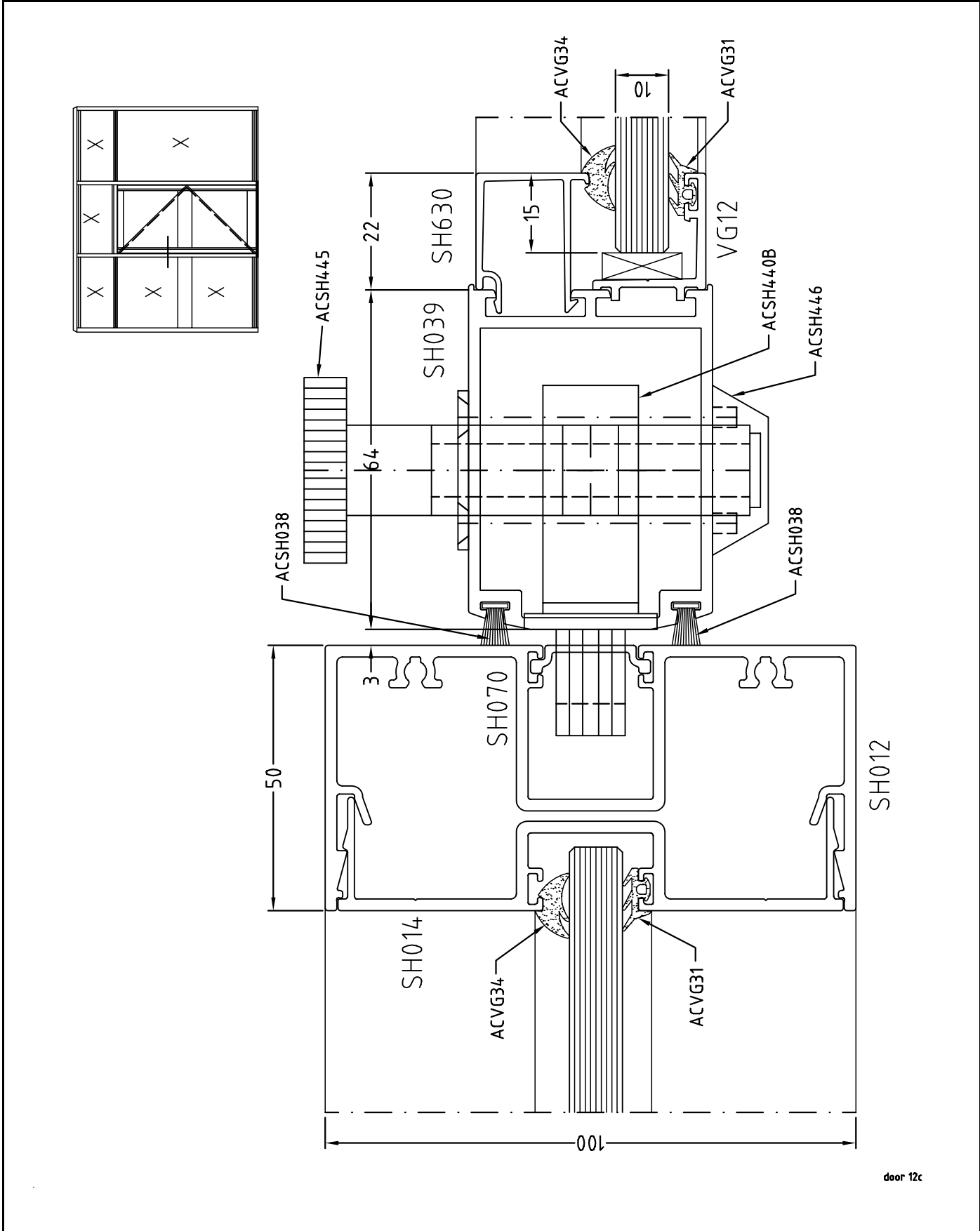
**SECTION**

**12B**



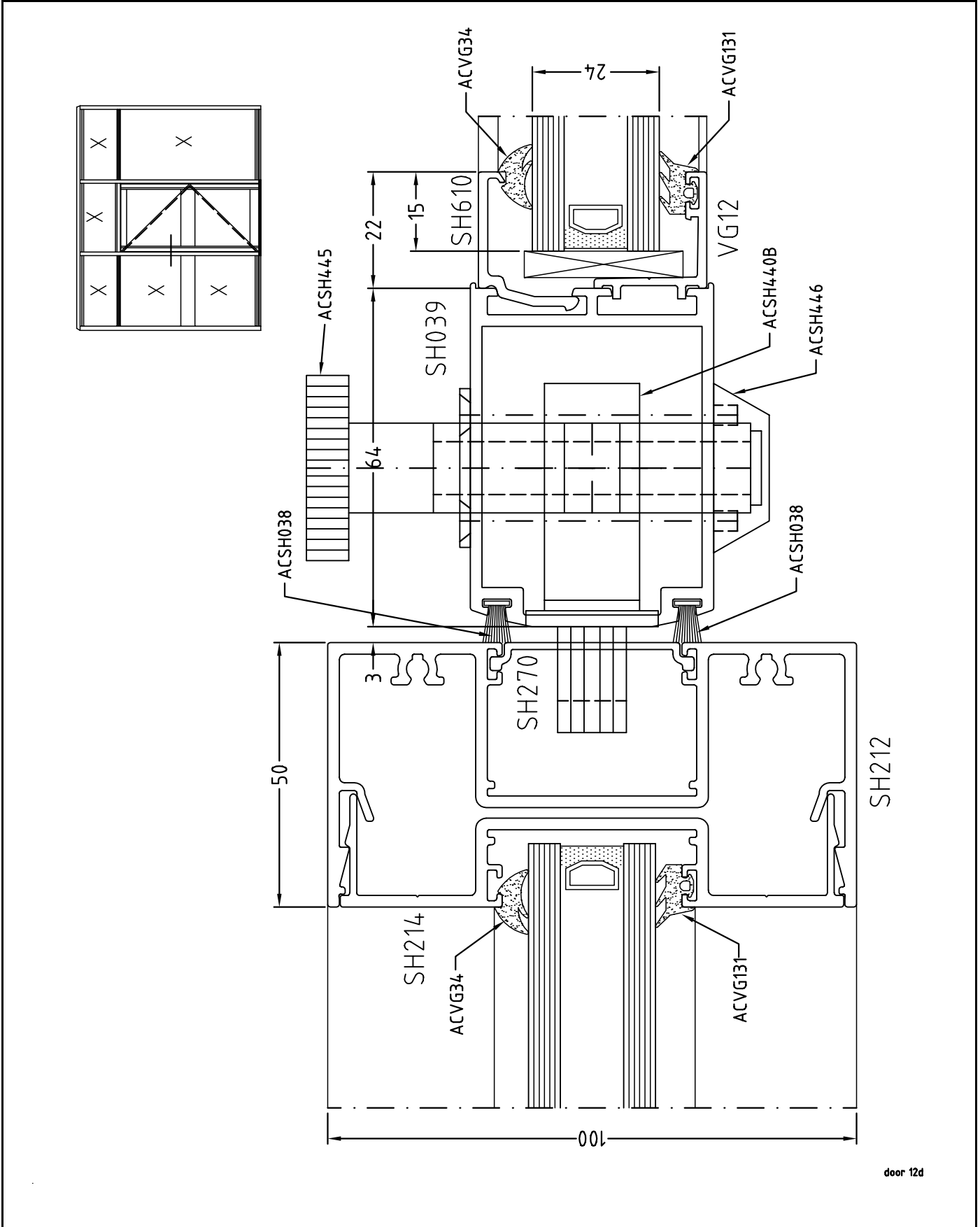
door12b

12C



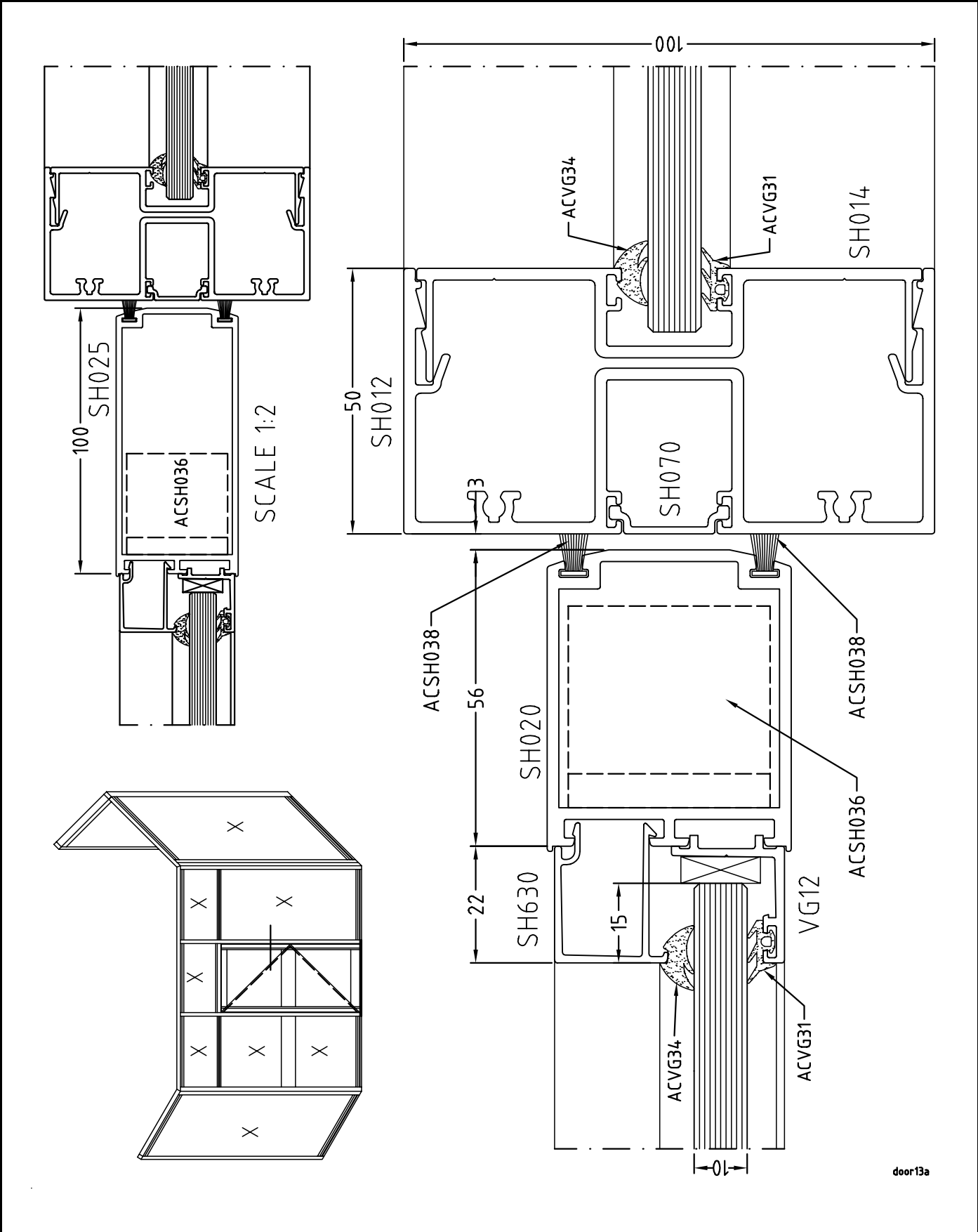
door 12c

# 12D



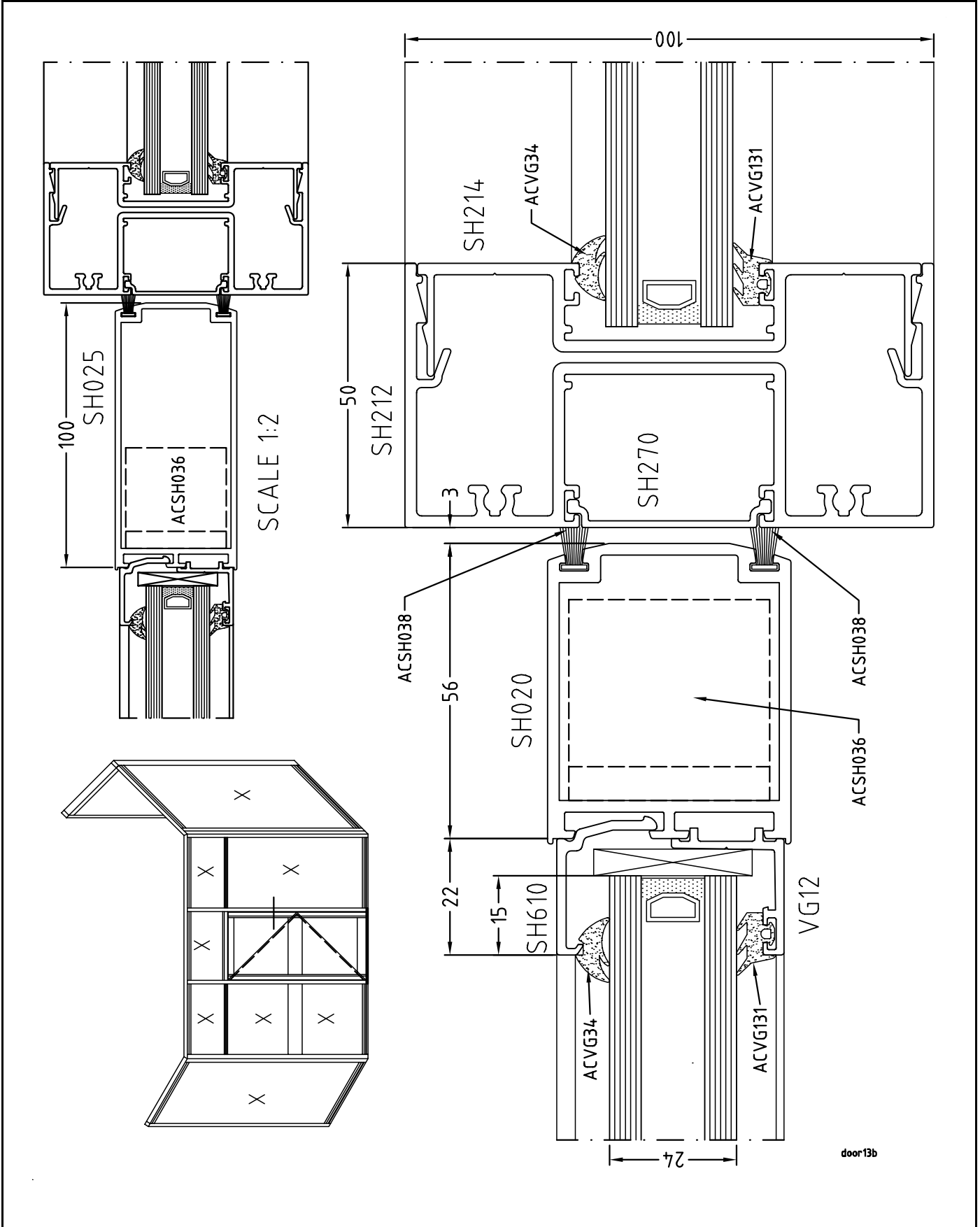
door 12d

13A



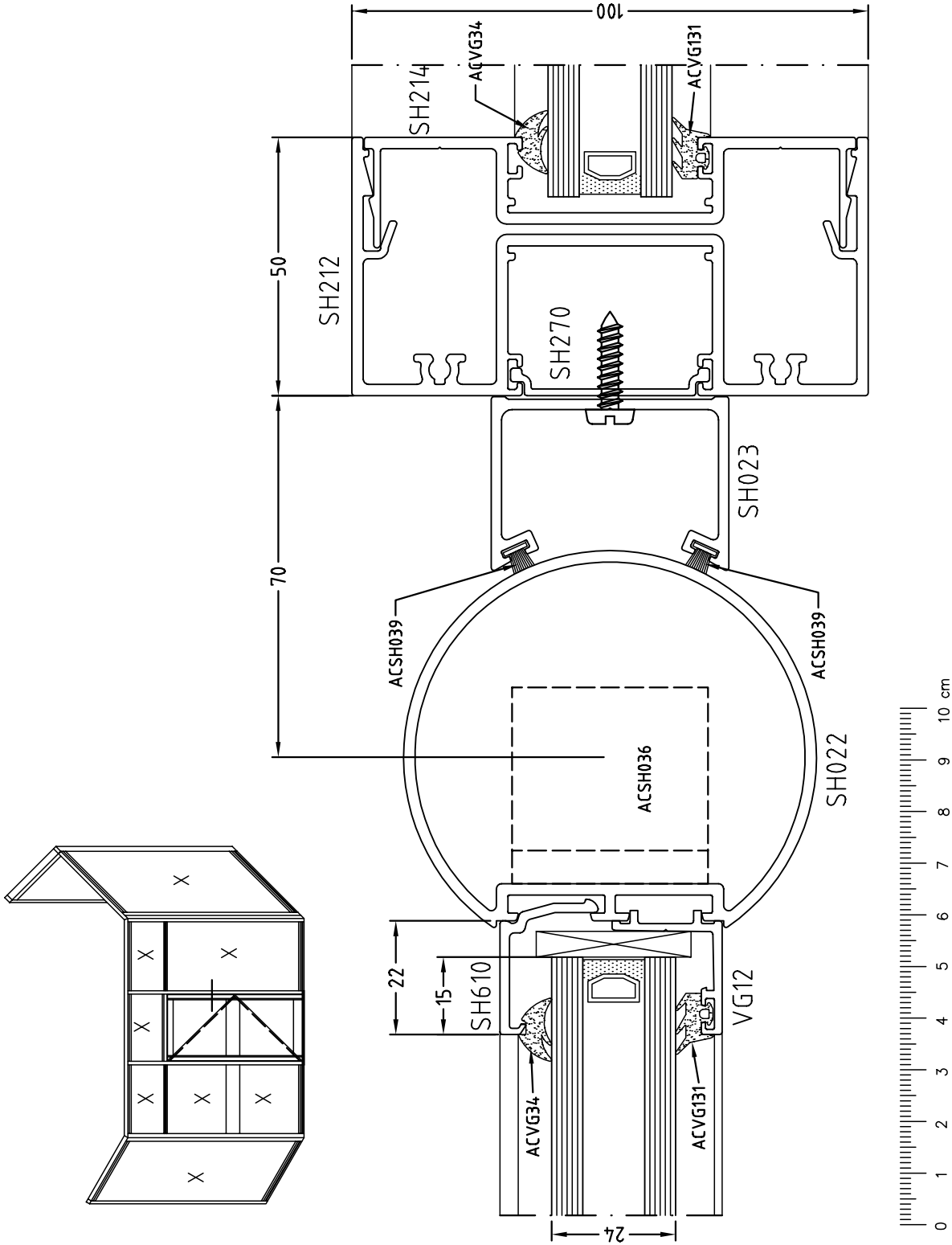
**SECTION**

**13B**



door13b

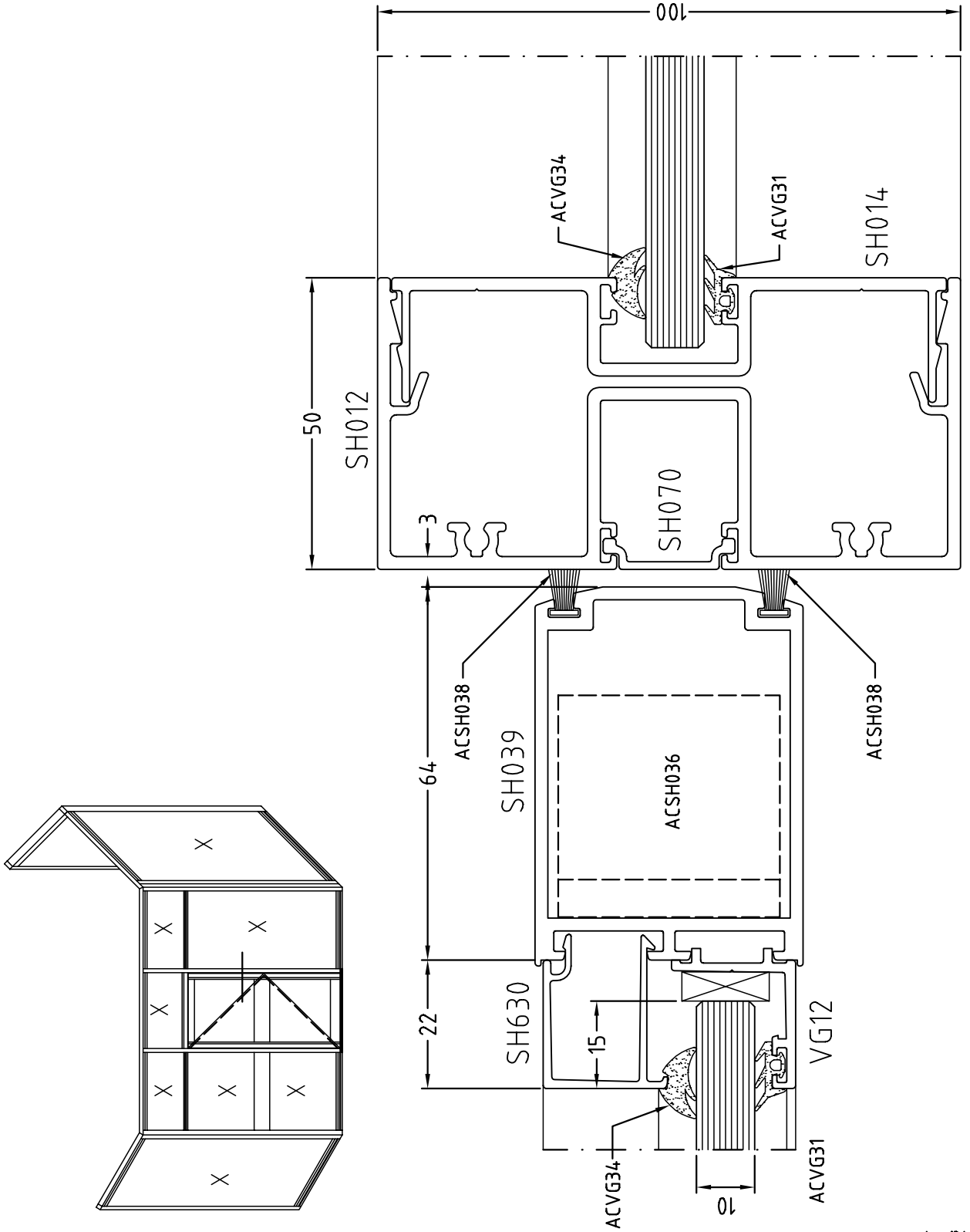
13C





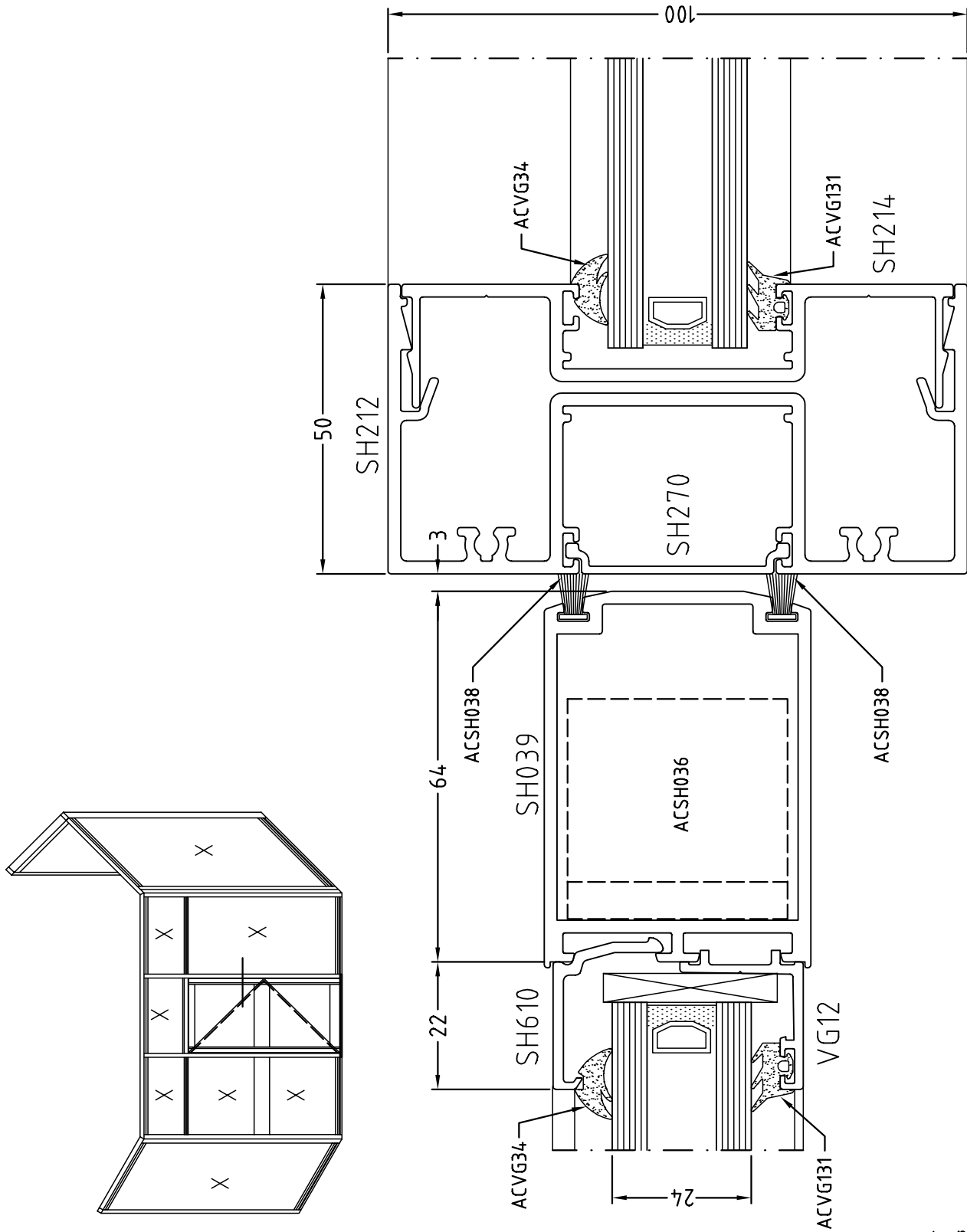
SECTION

**13D**



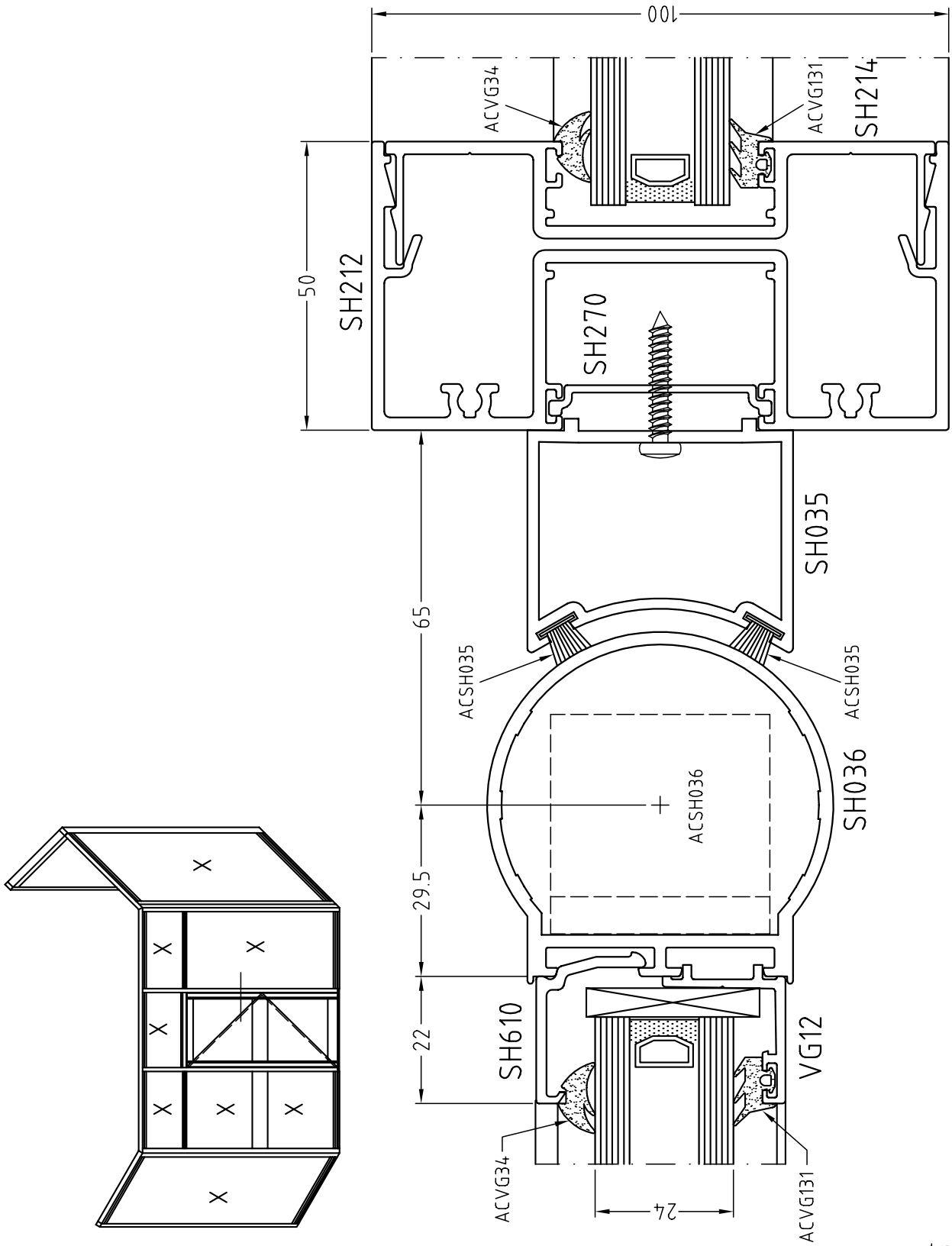
door 13d

13E



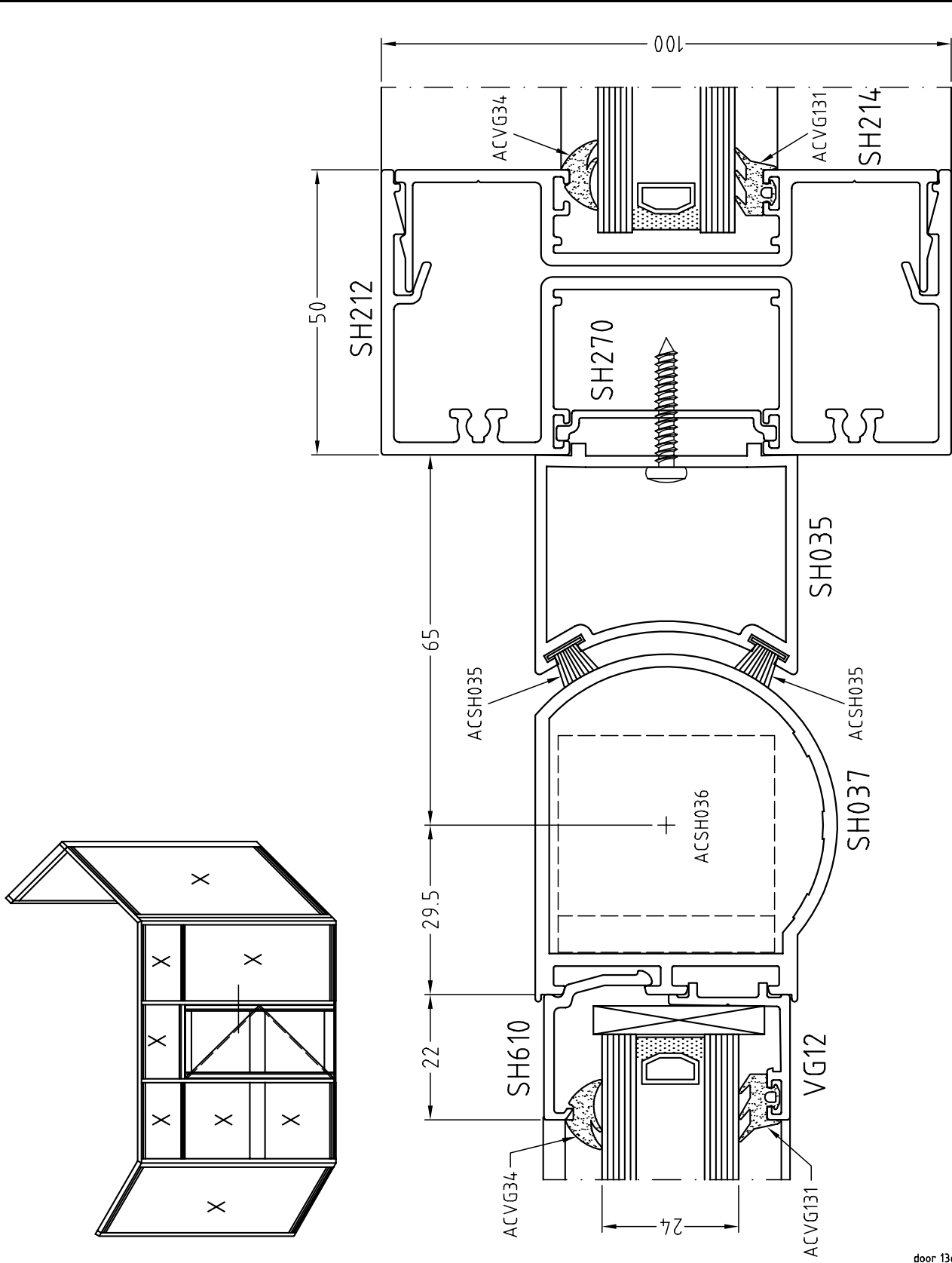
door 13e

**13F**



door 13f

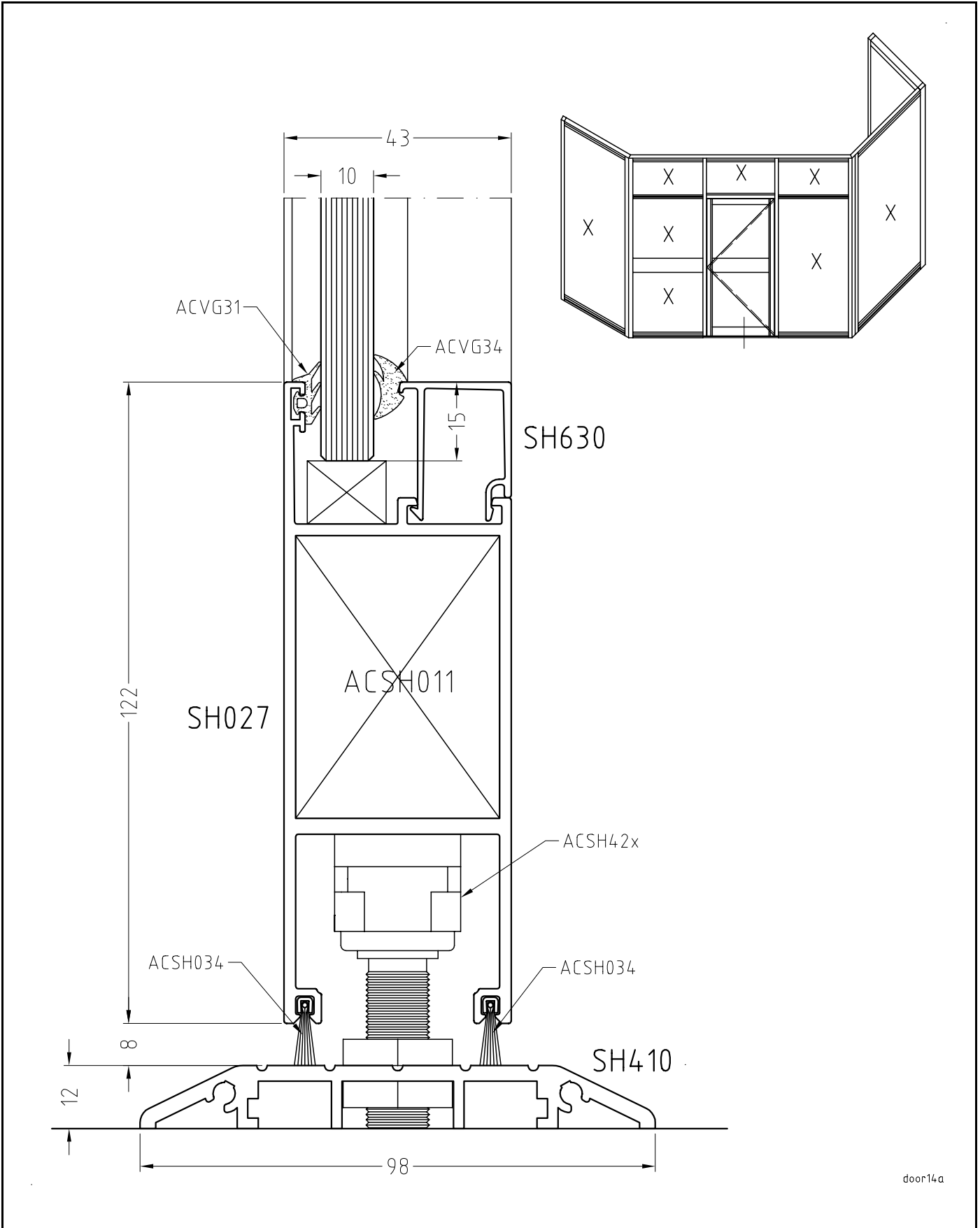
# 13G



door 13g

**SECTION**

**14A**

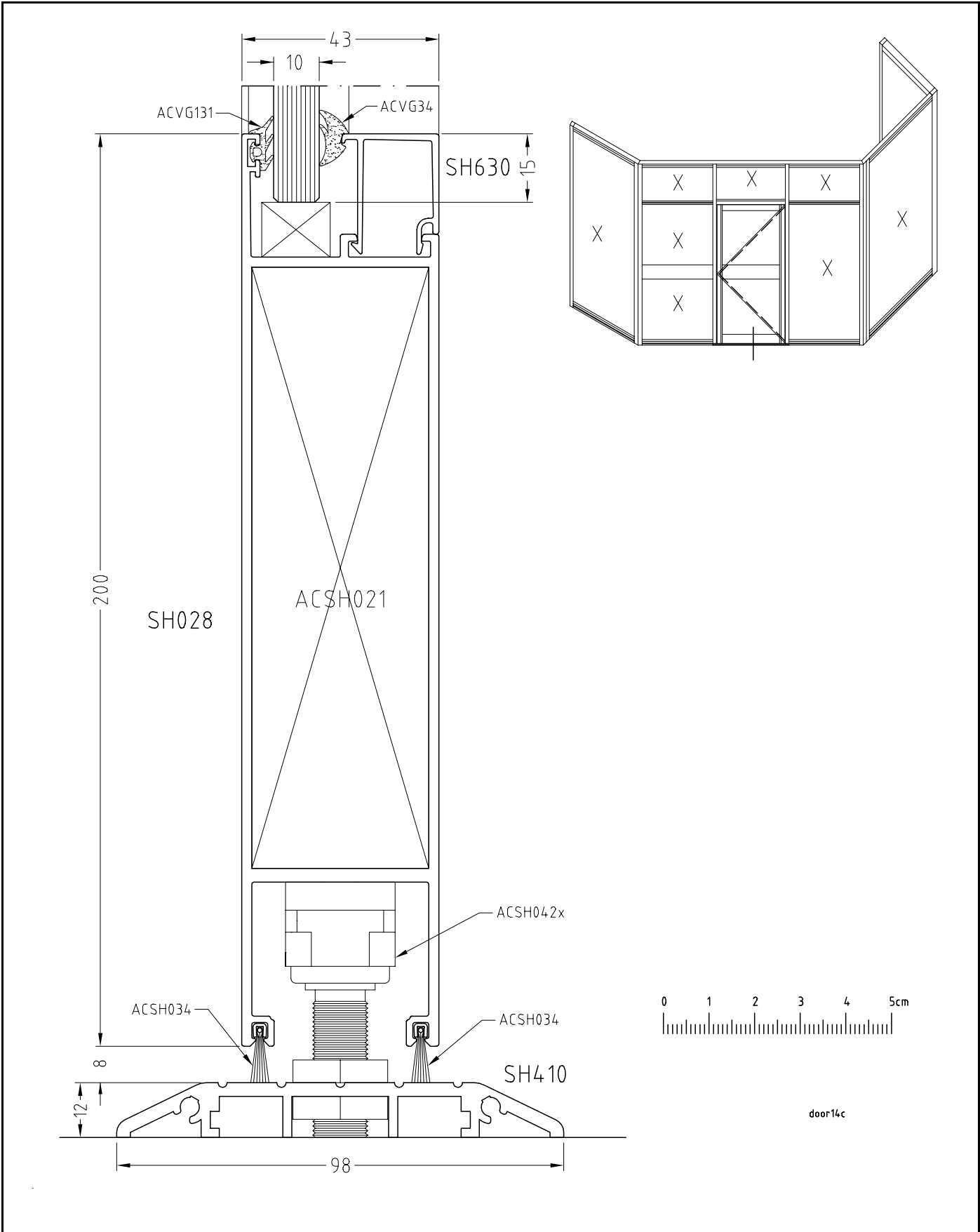


door14a



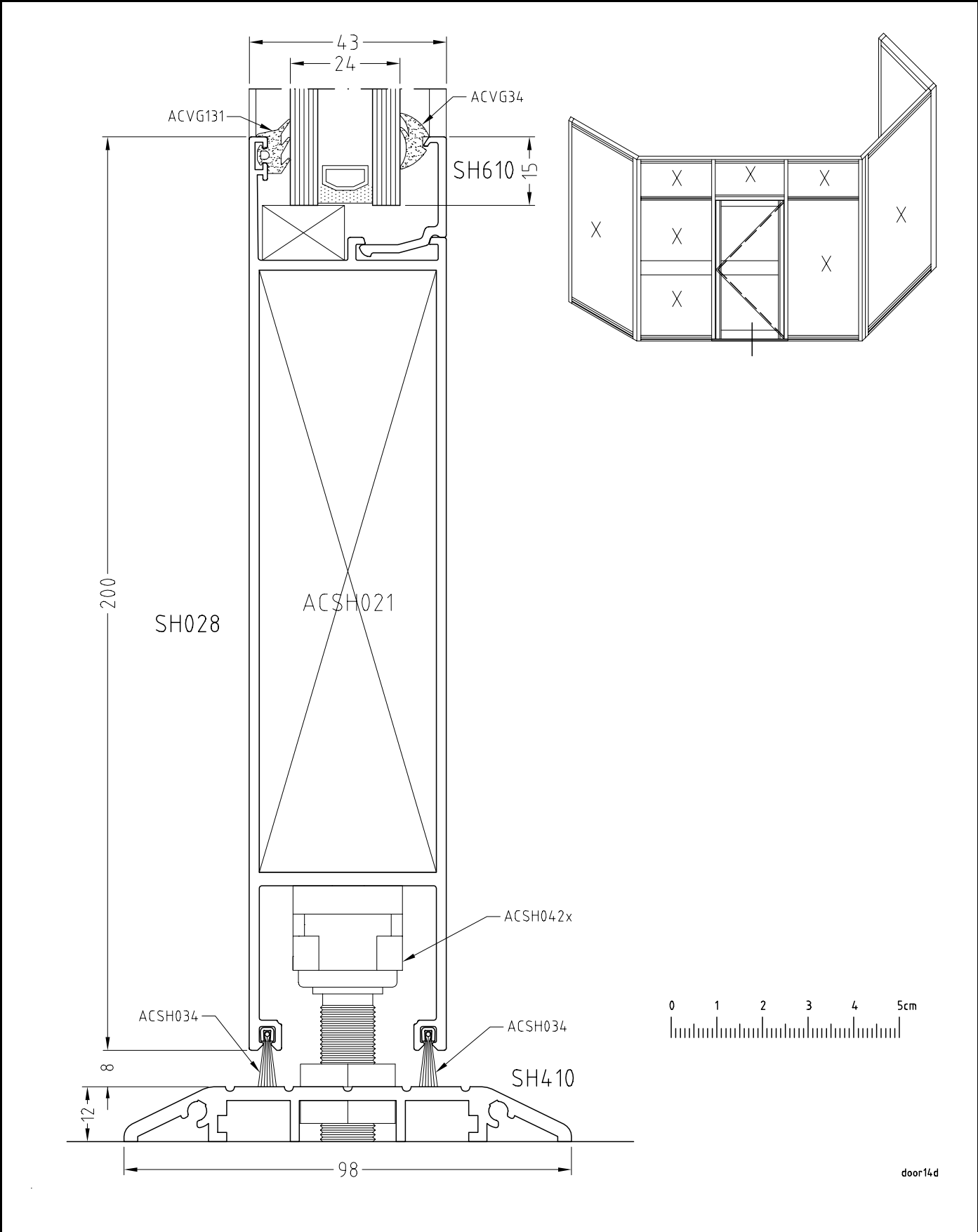
**SECTION**

**14C**



SECTION

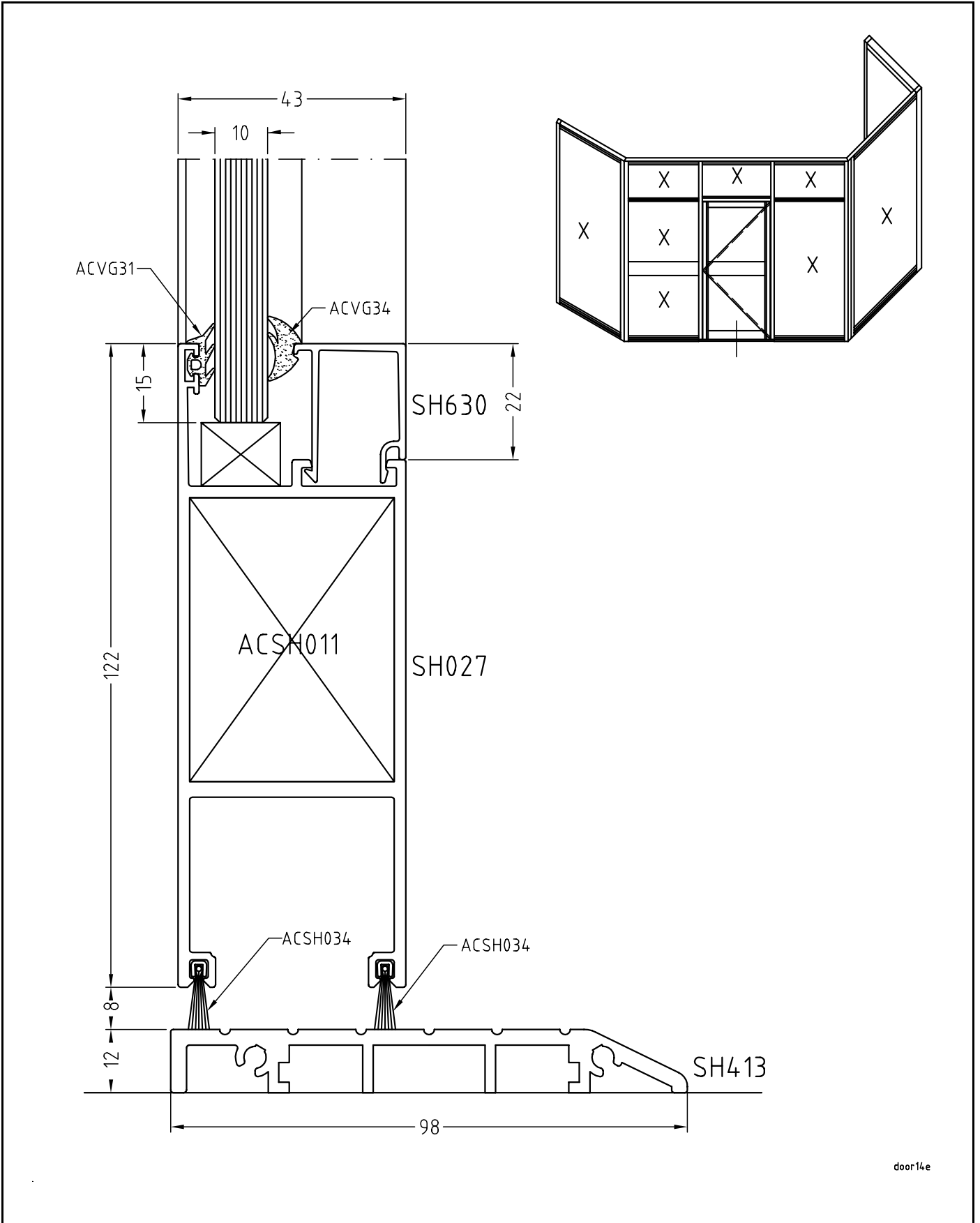
# 14D





SECTION

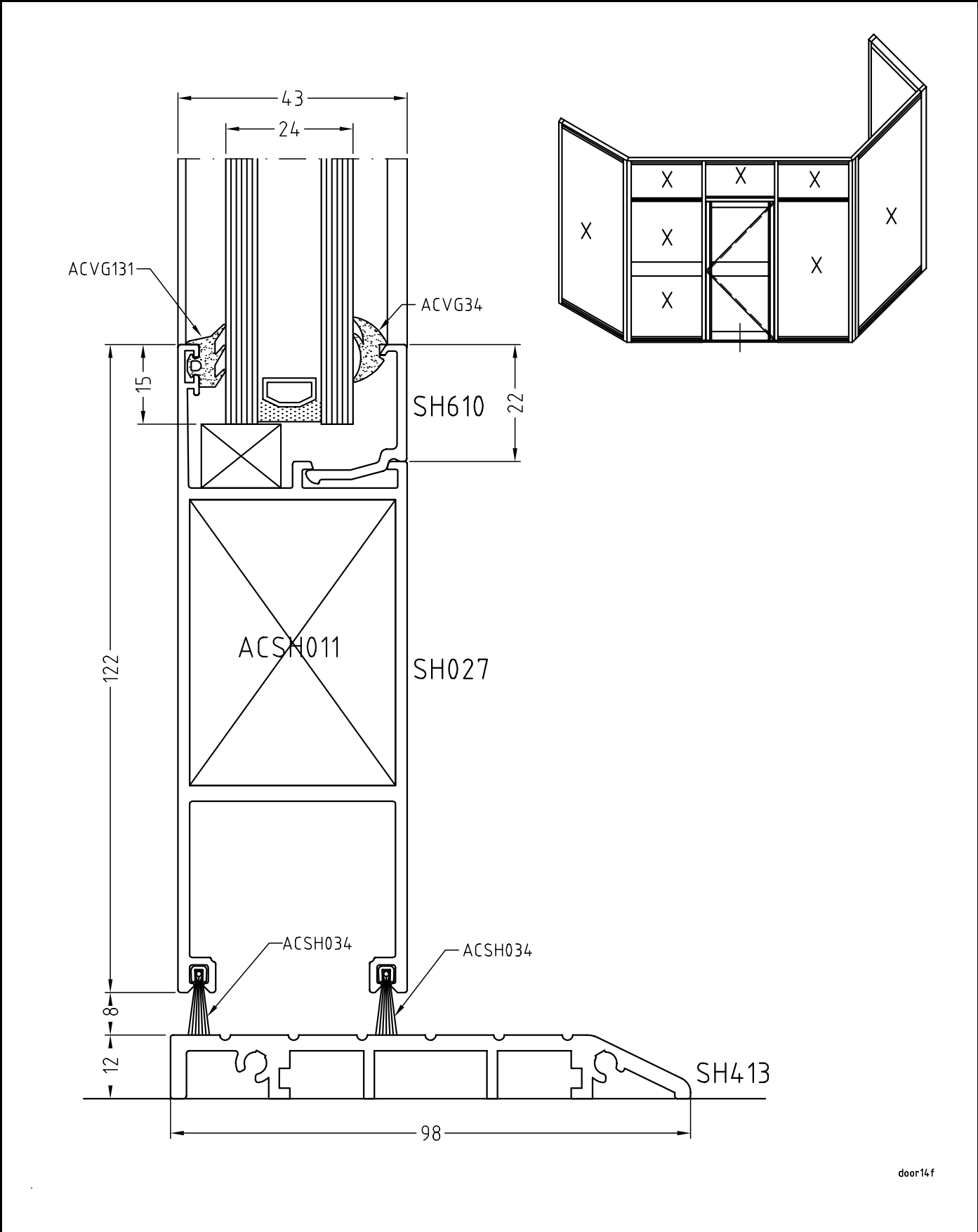
# 14E



door14e

SECTION

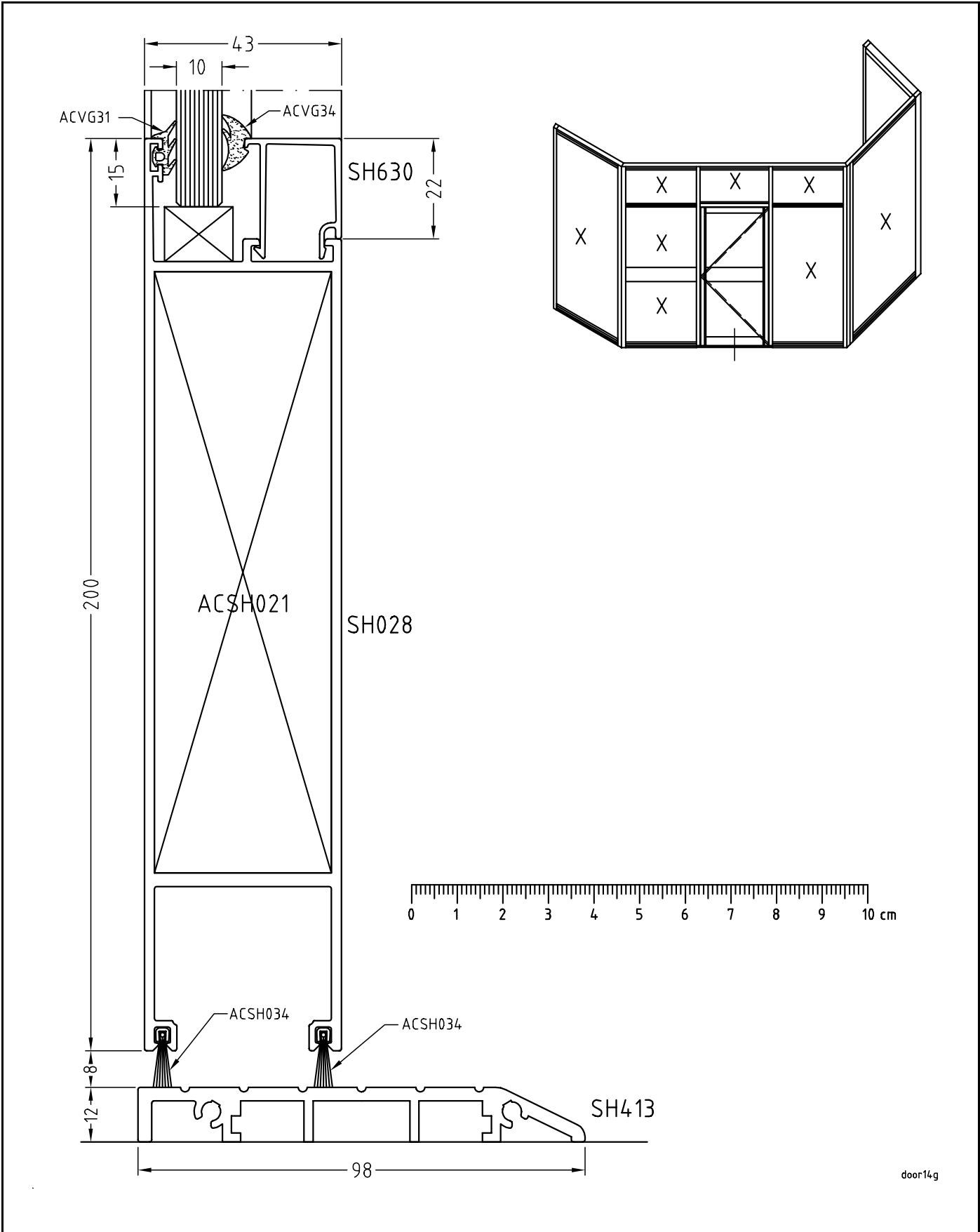
14F



door14f

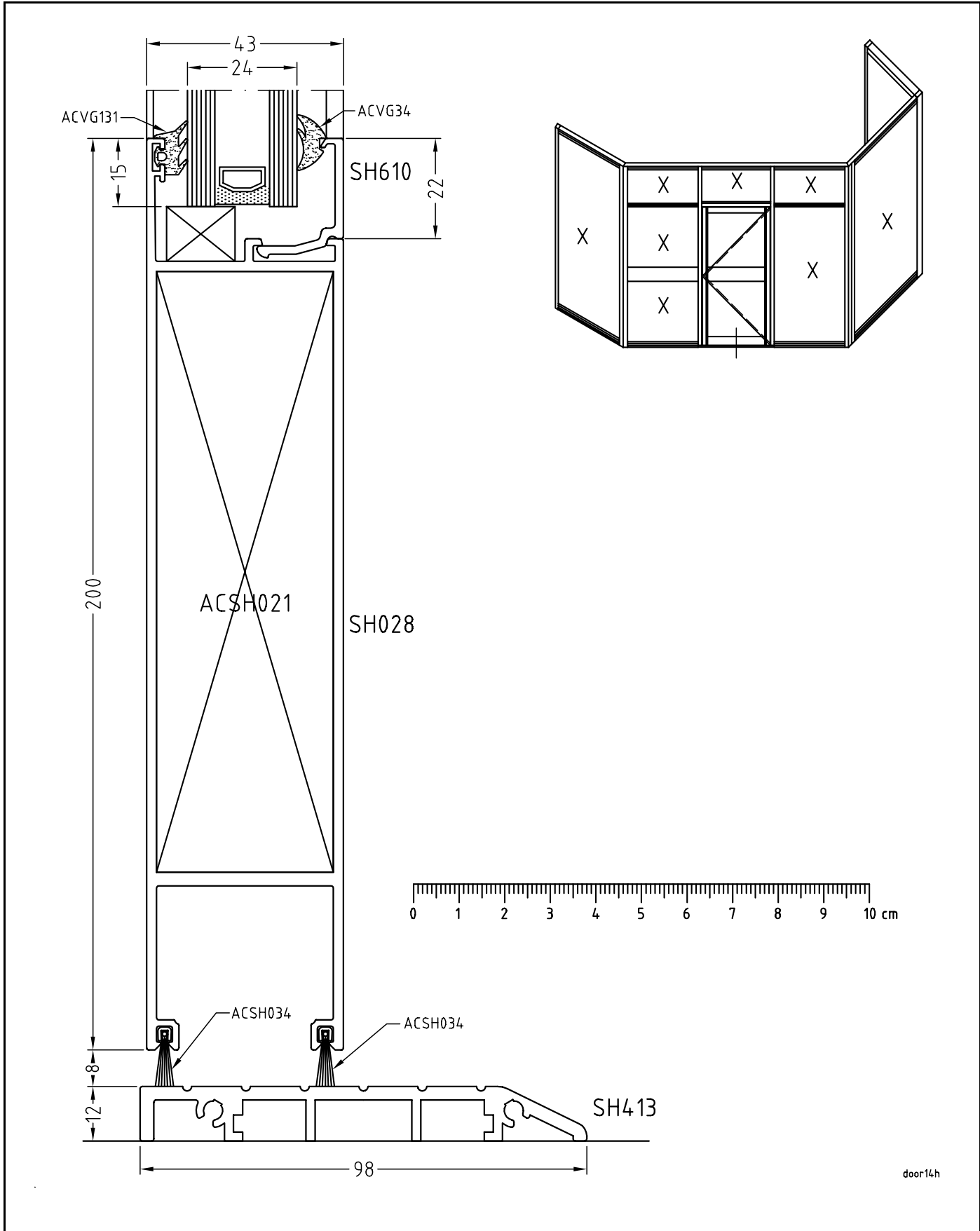
**SECTION**

**14G**



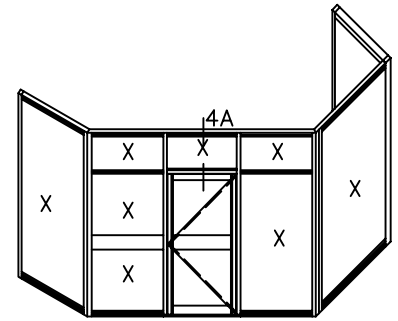
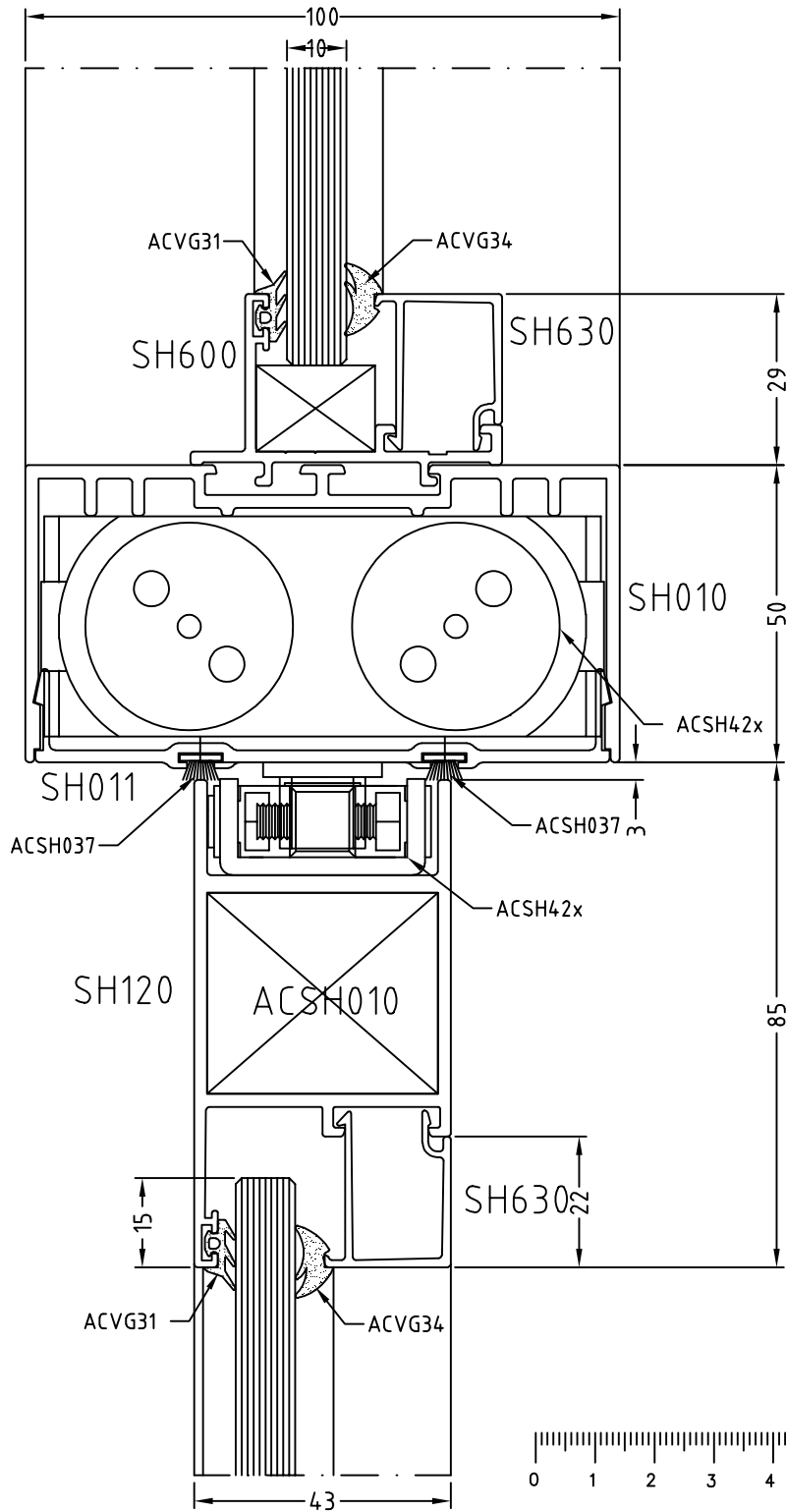
SECTION

# 14H

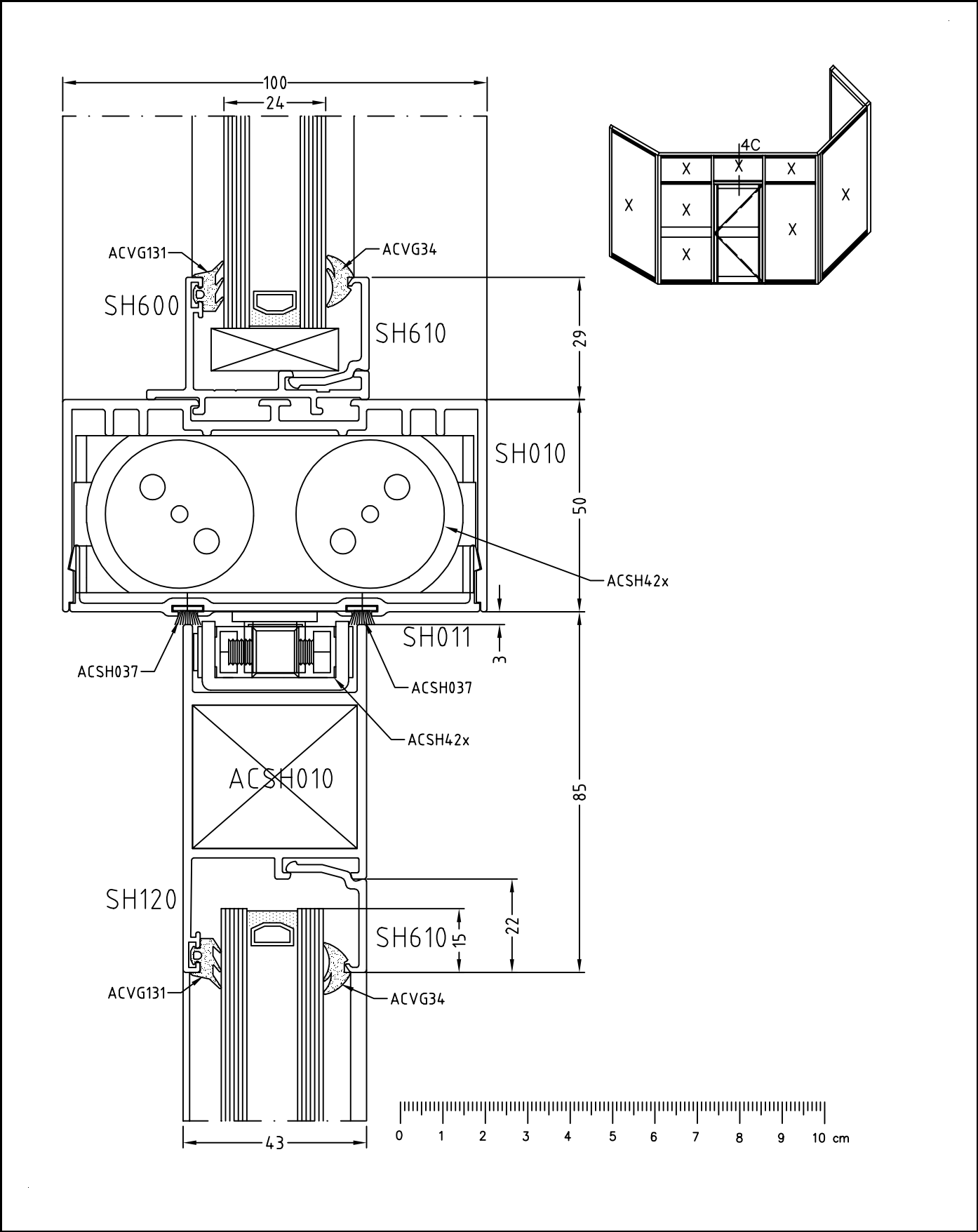


SECTION

# 15A

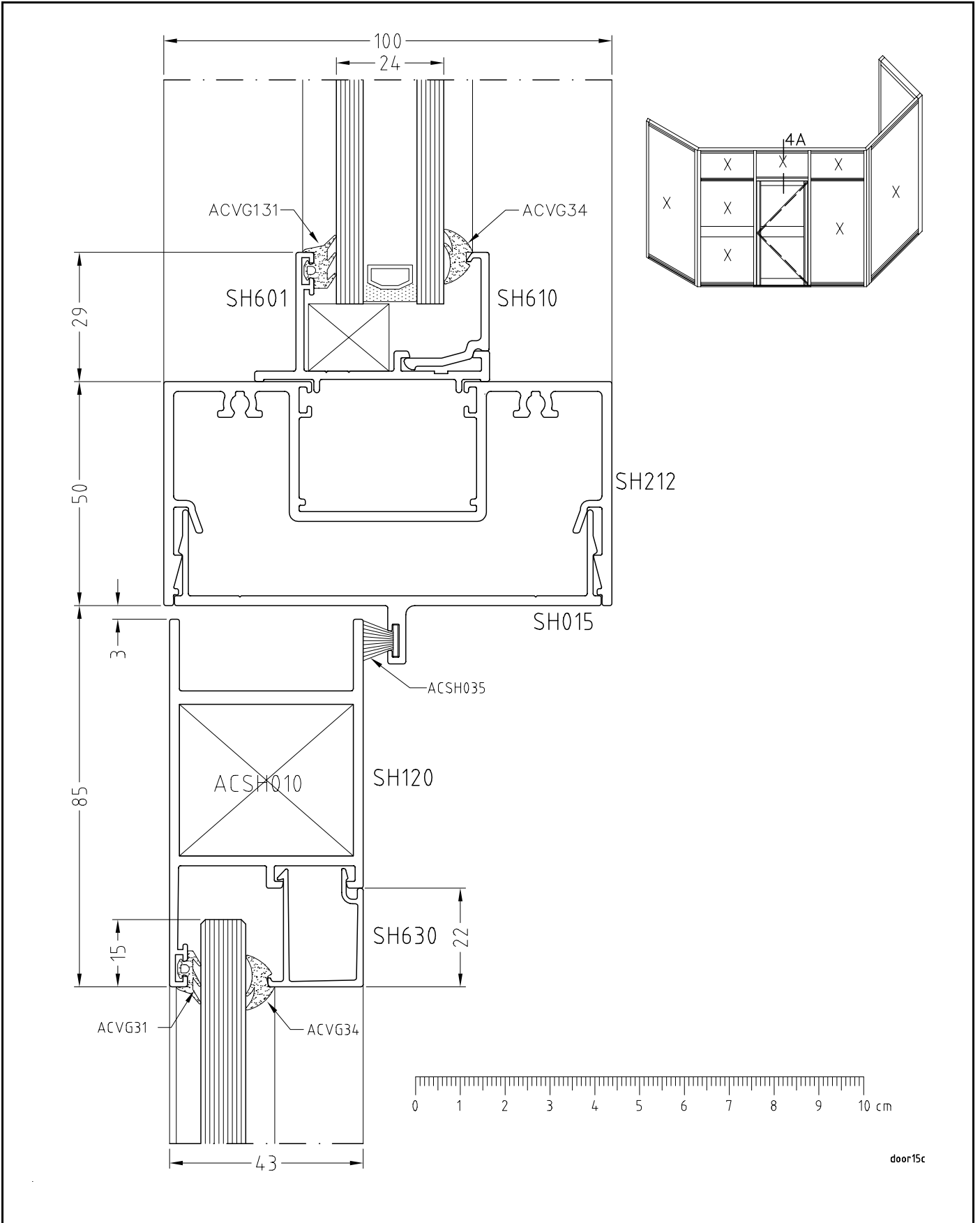


# 15B



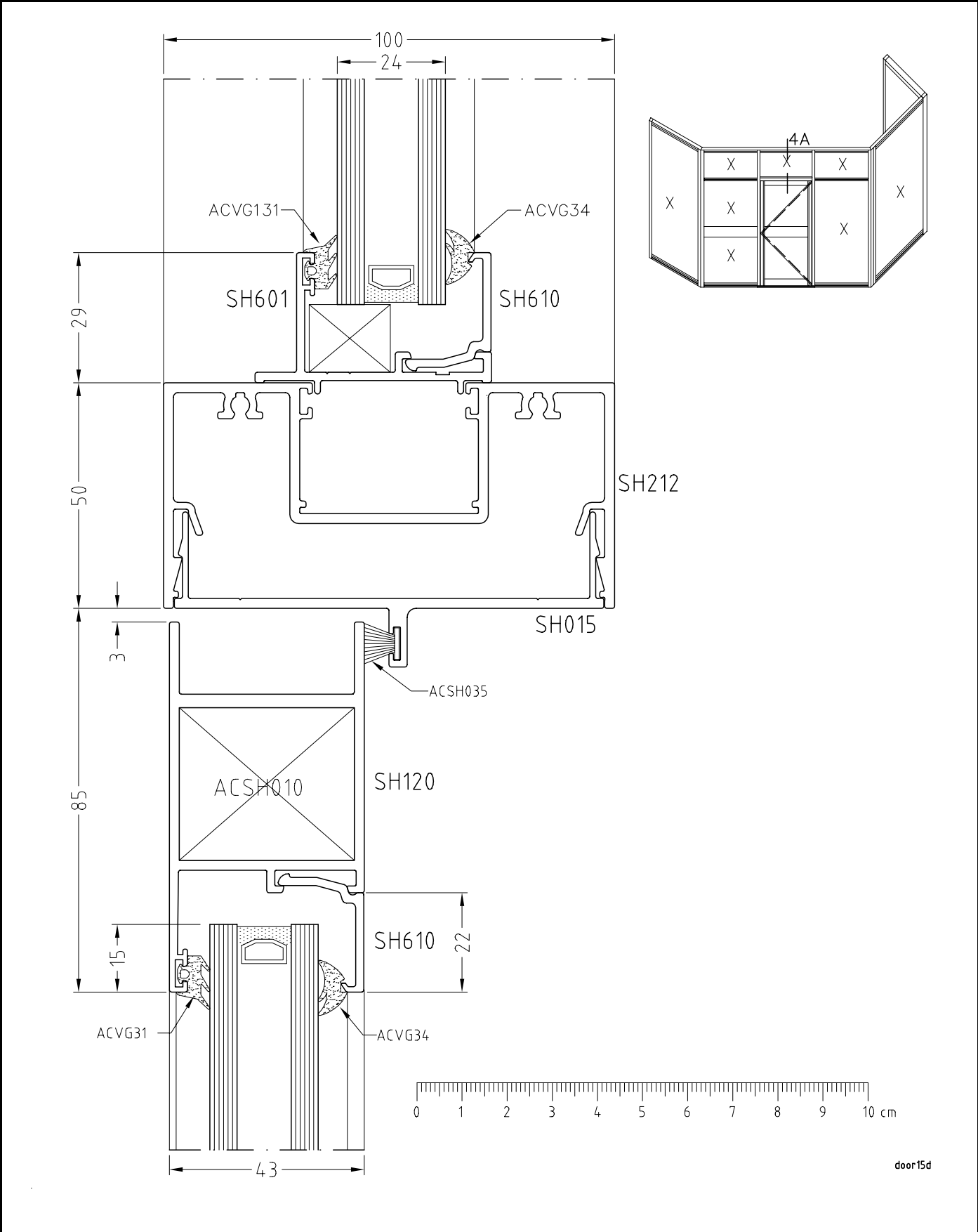
SECTION

# 15C



door15c

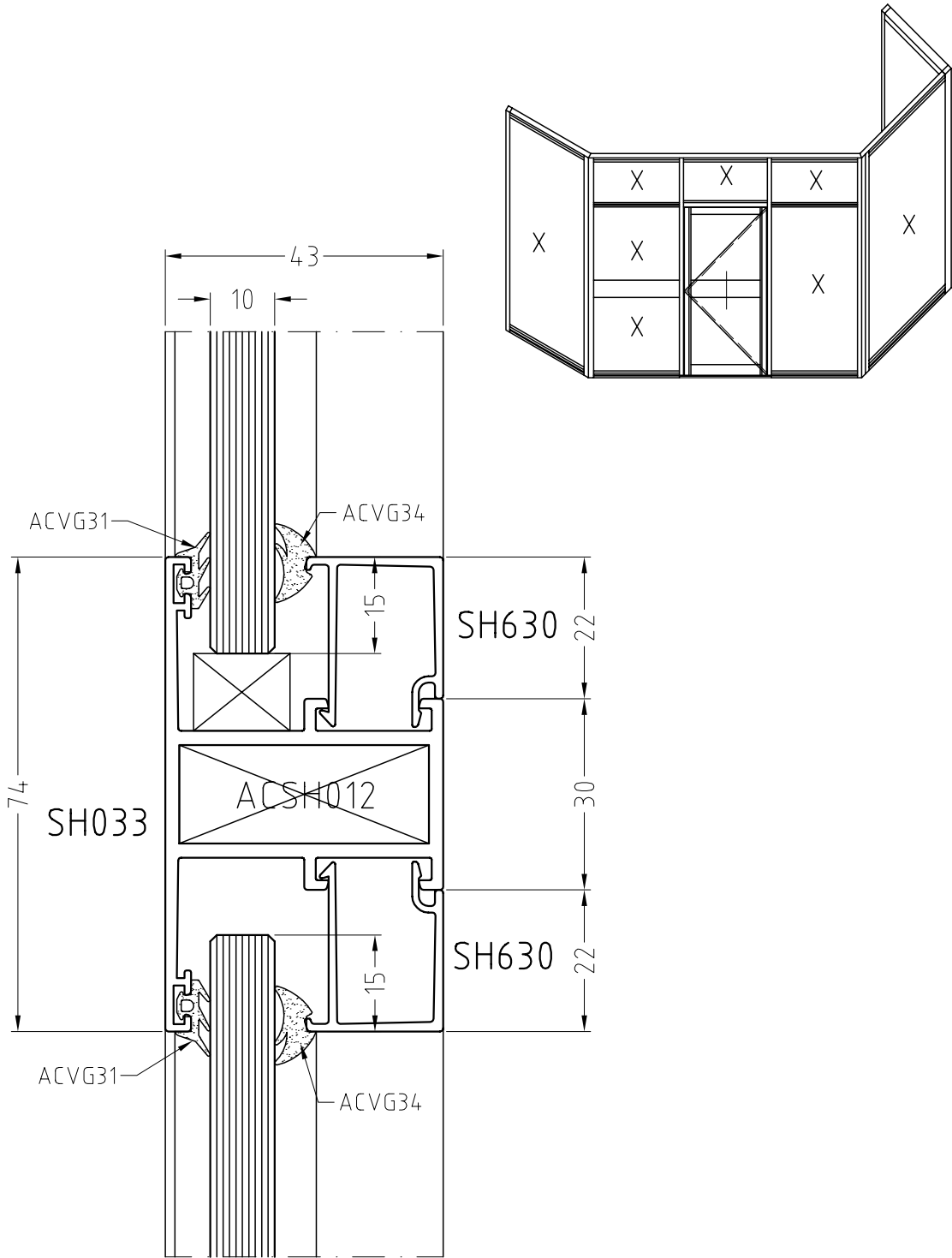
# 15D





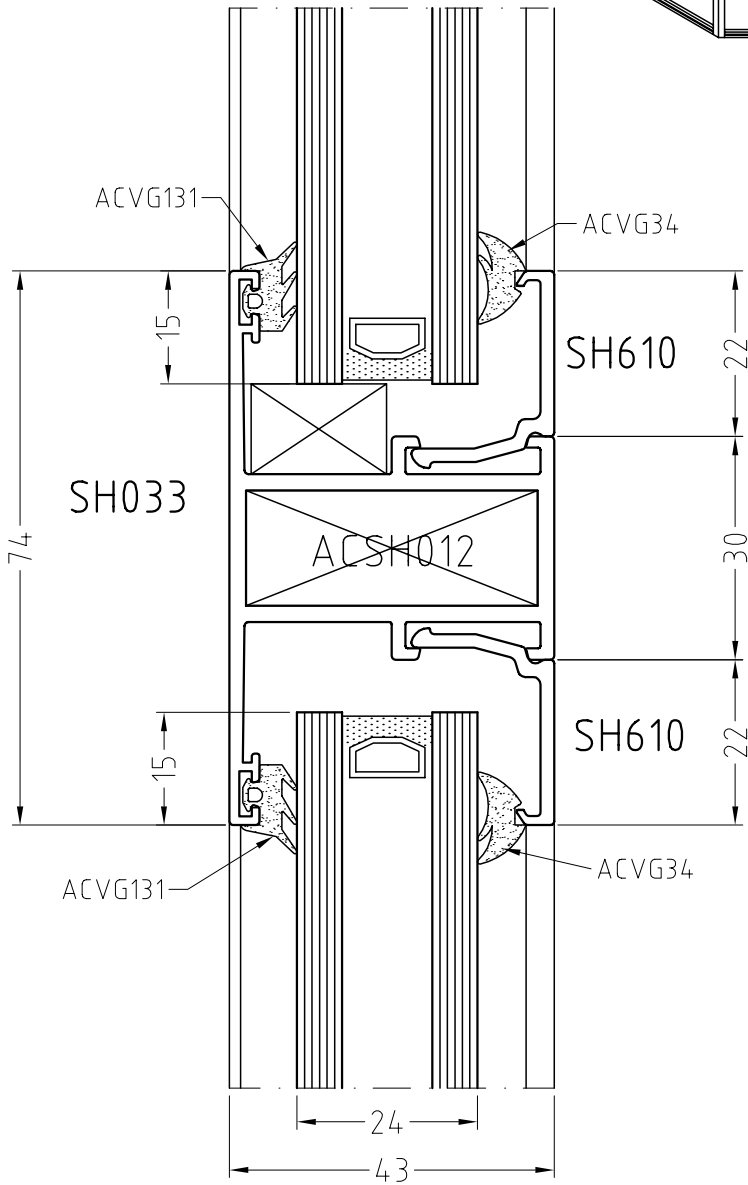
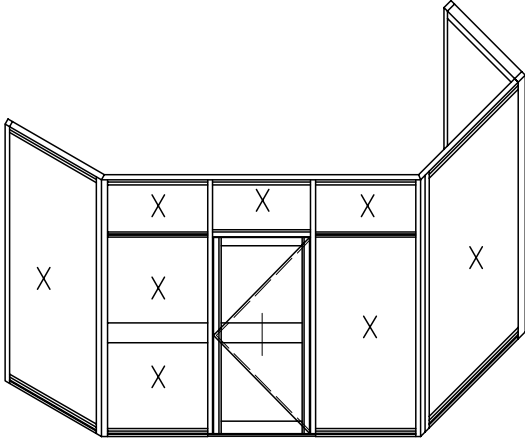
**SECTION**

**16A**



door16a

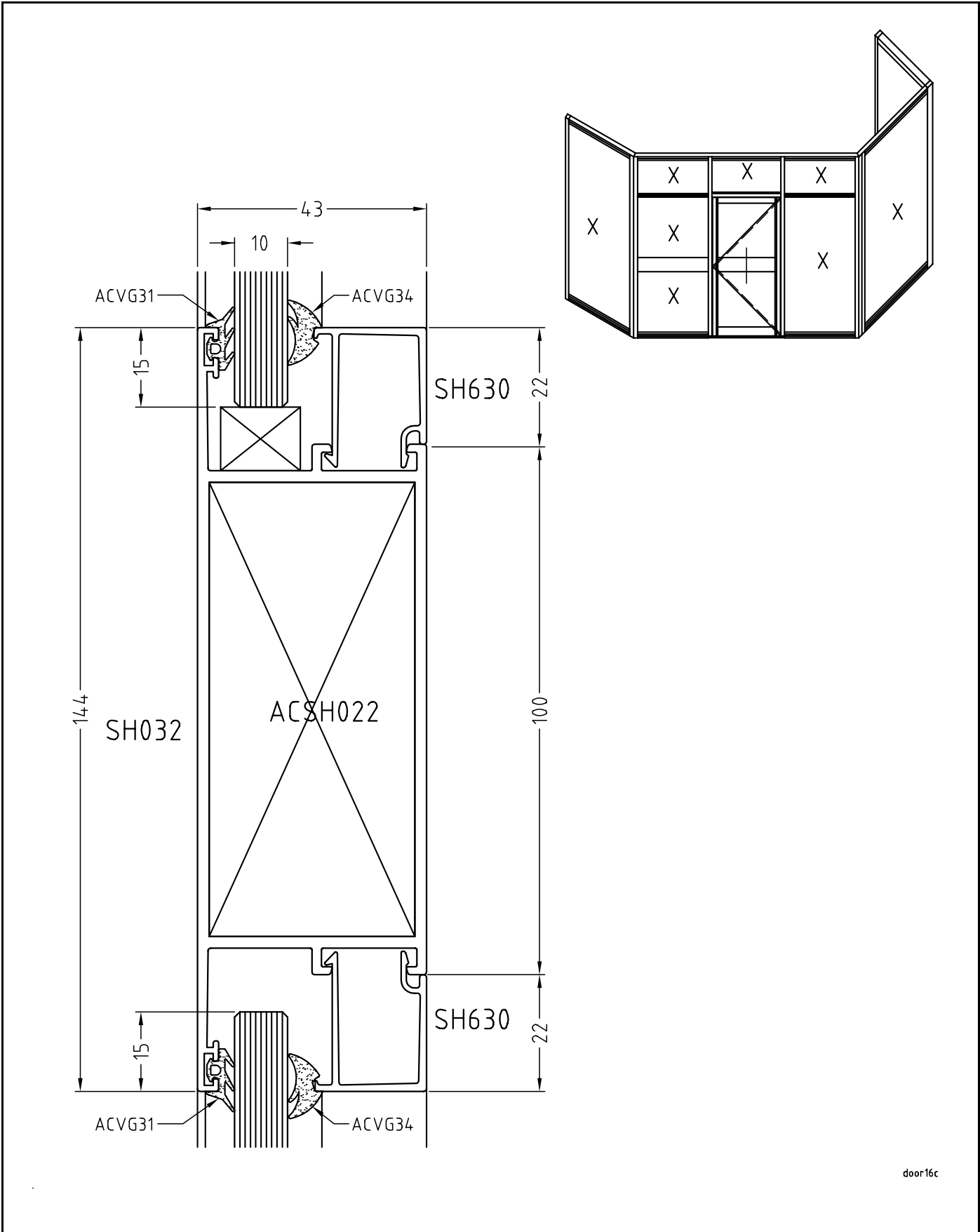
16B



door16b

SECTION

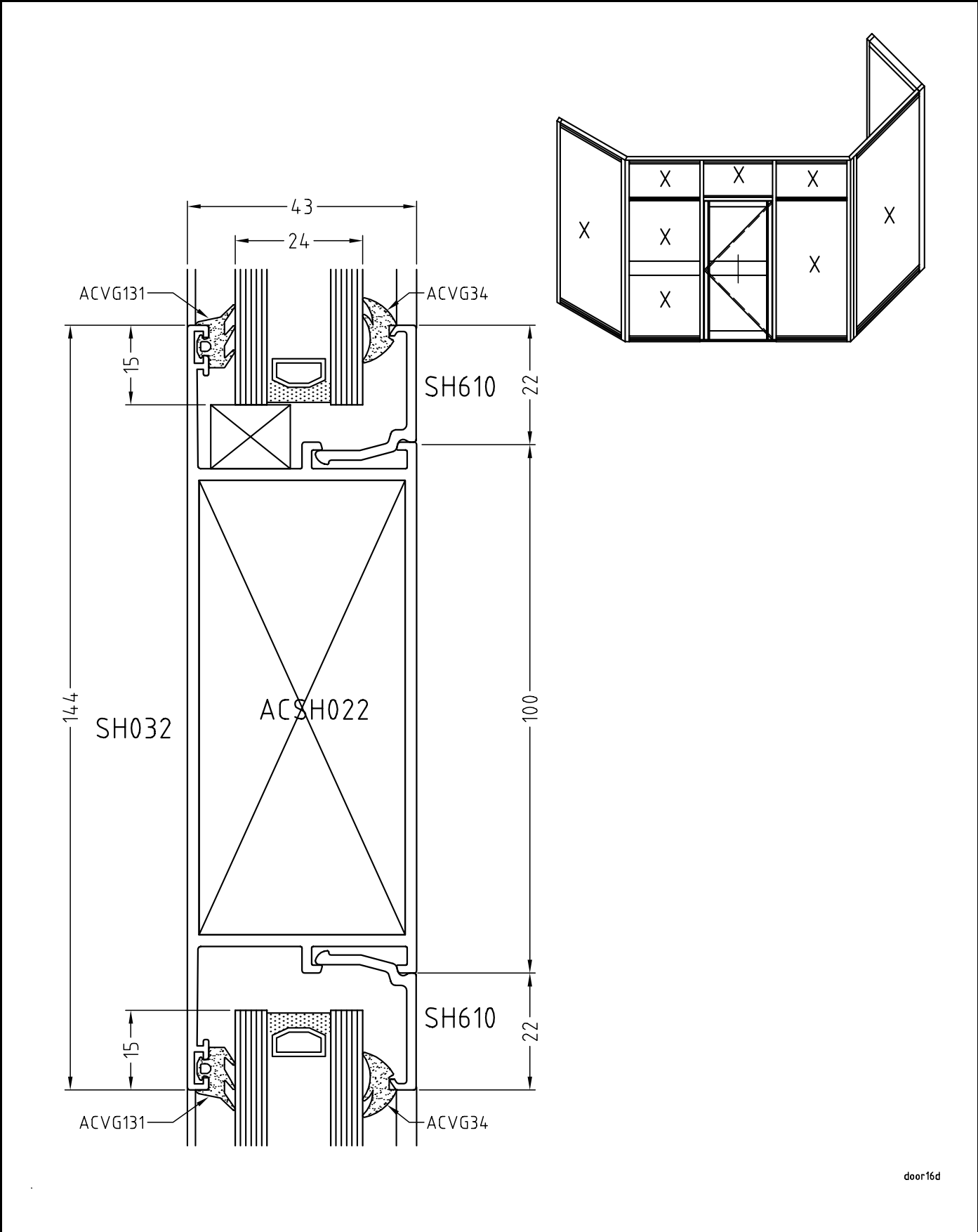
# 16C



door16c

SECTION

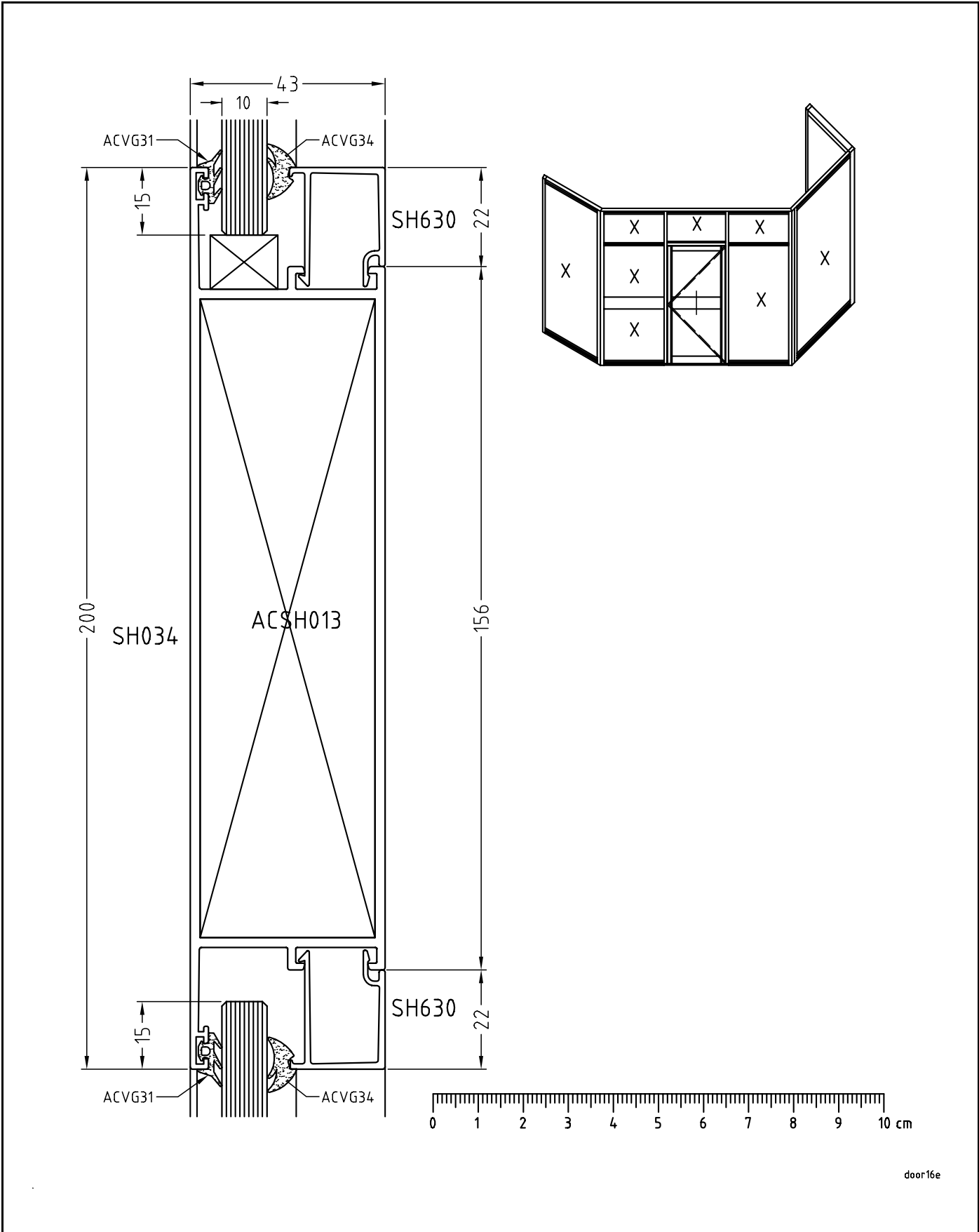
16D



door16d

SECTION

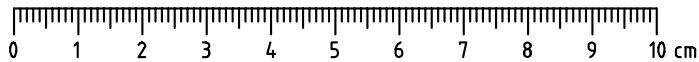
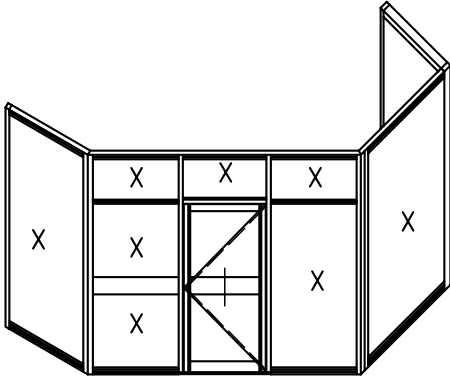
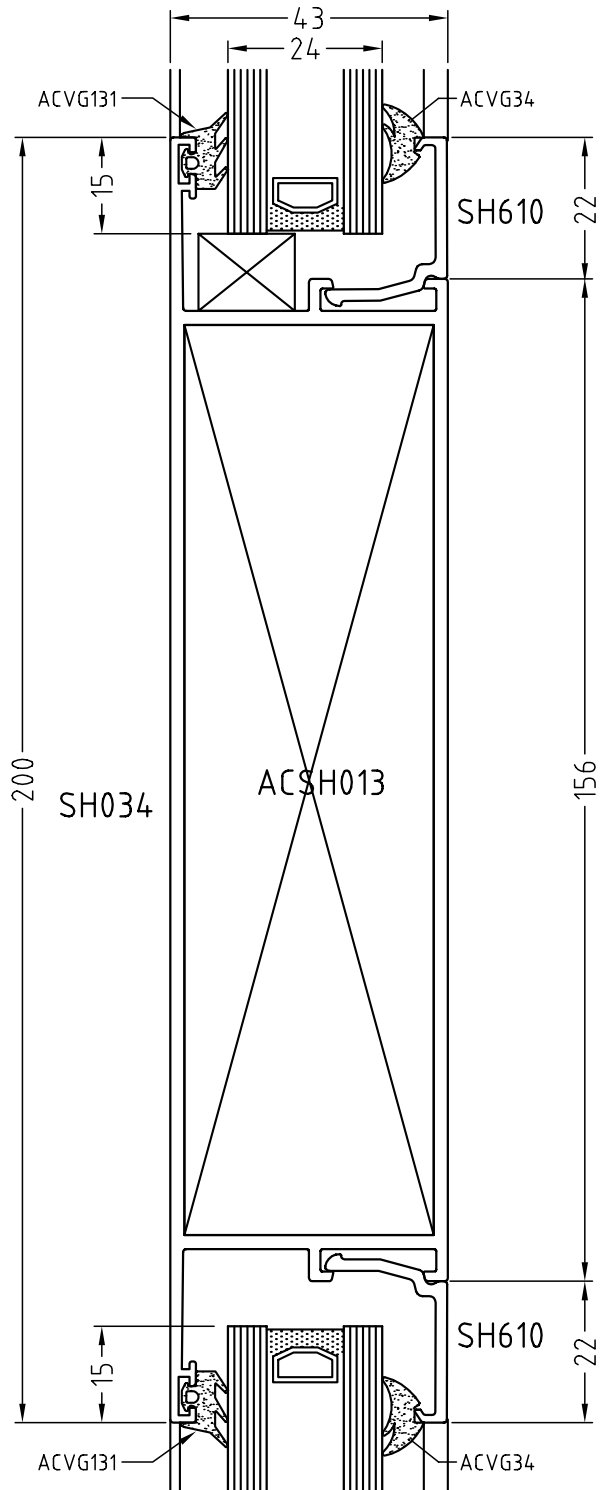
# 16E



door16e

SECTION

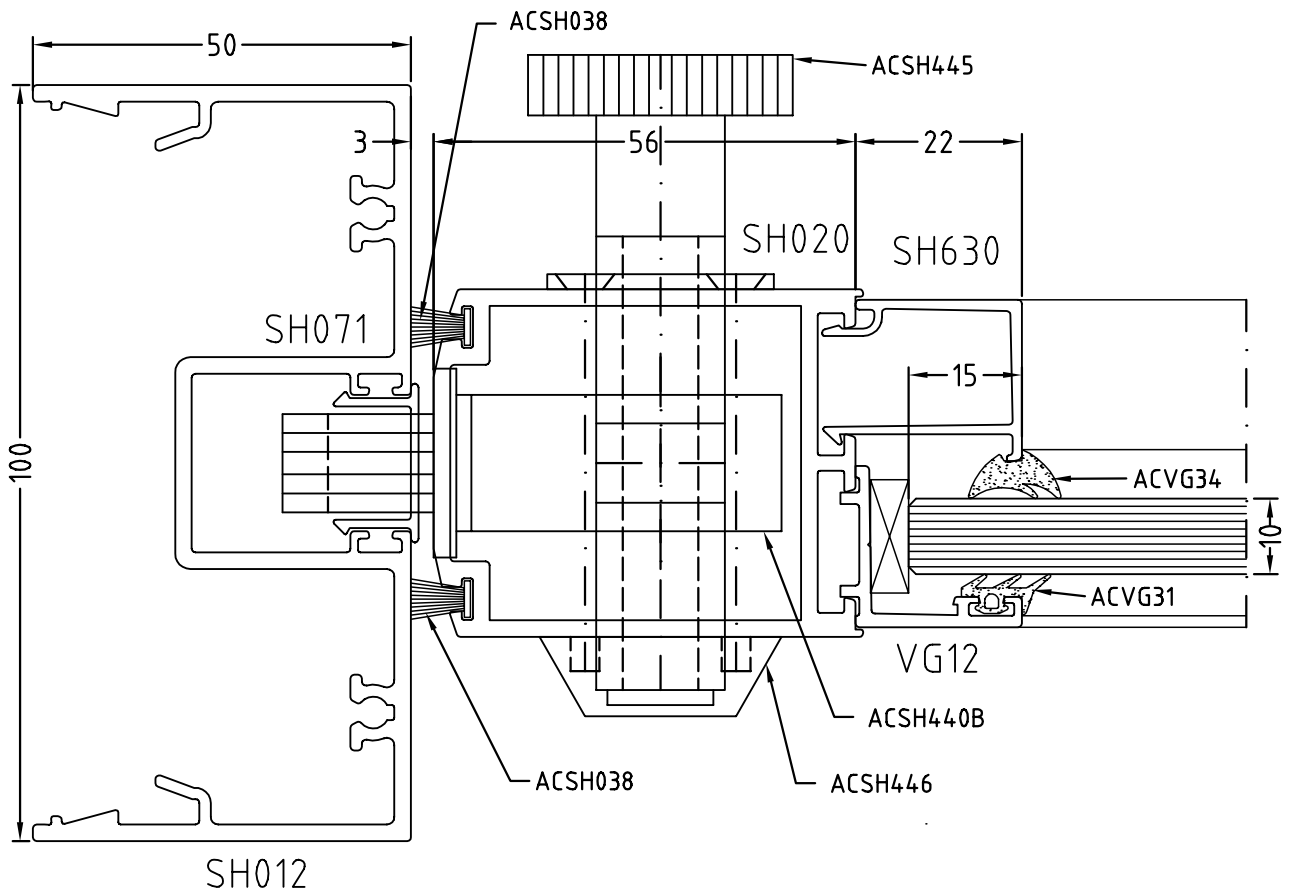
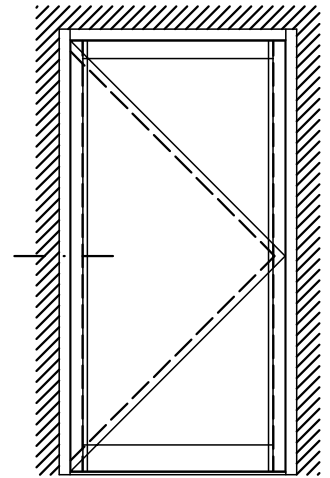
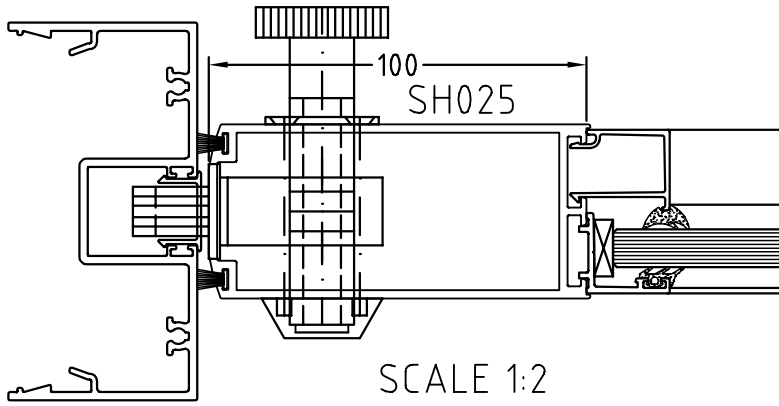
16F



door16f

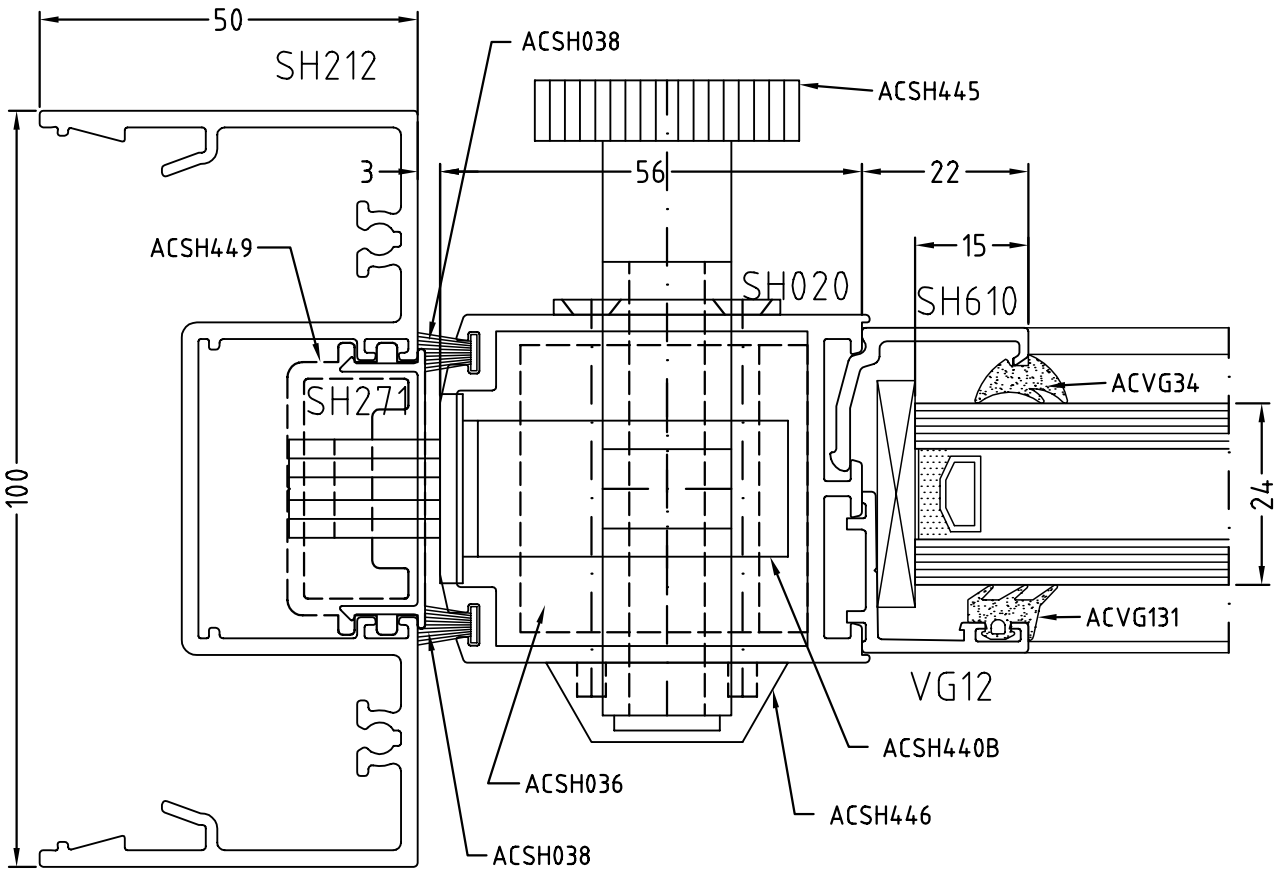
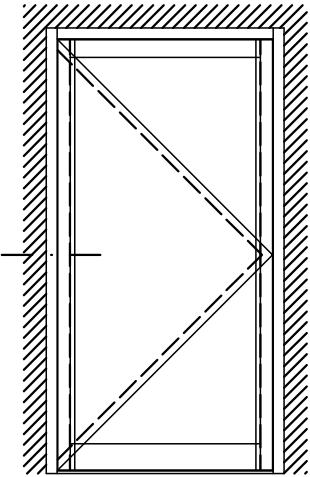
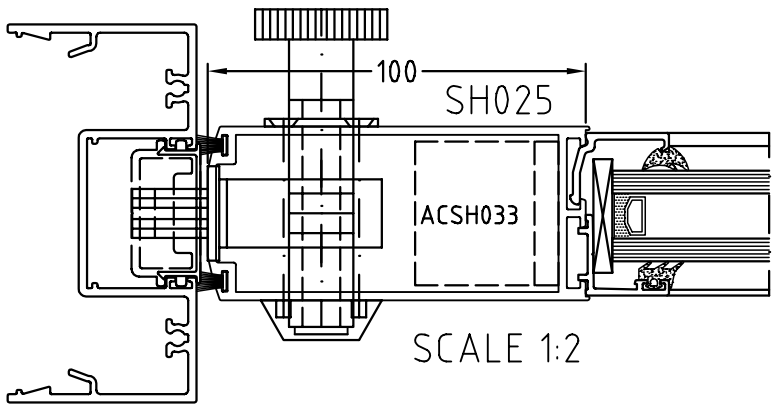
**SECTION**

**17A**



door17a

# 17B

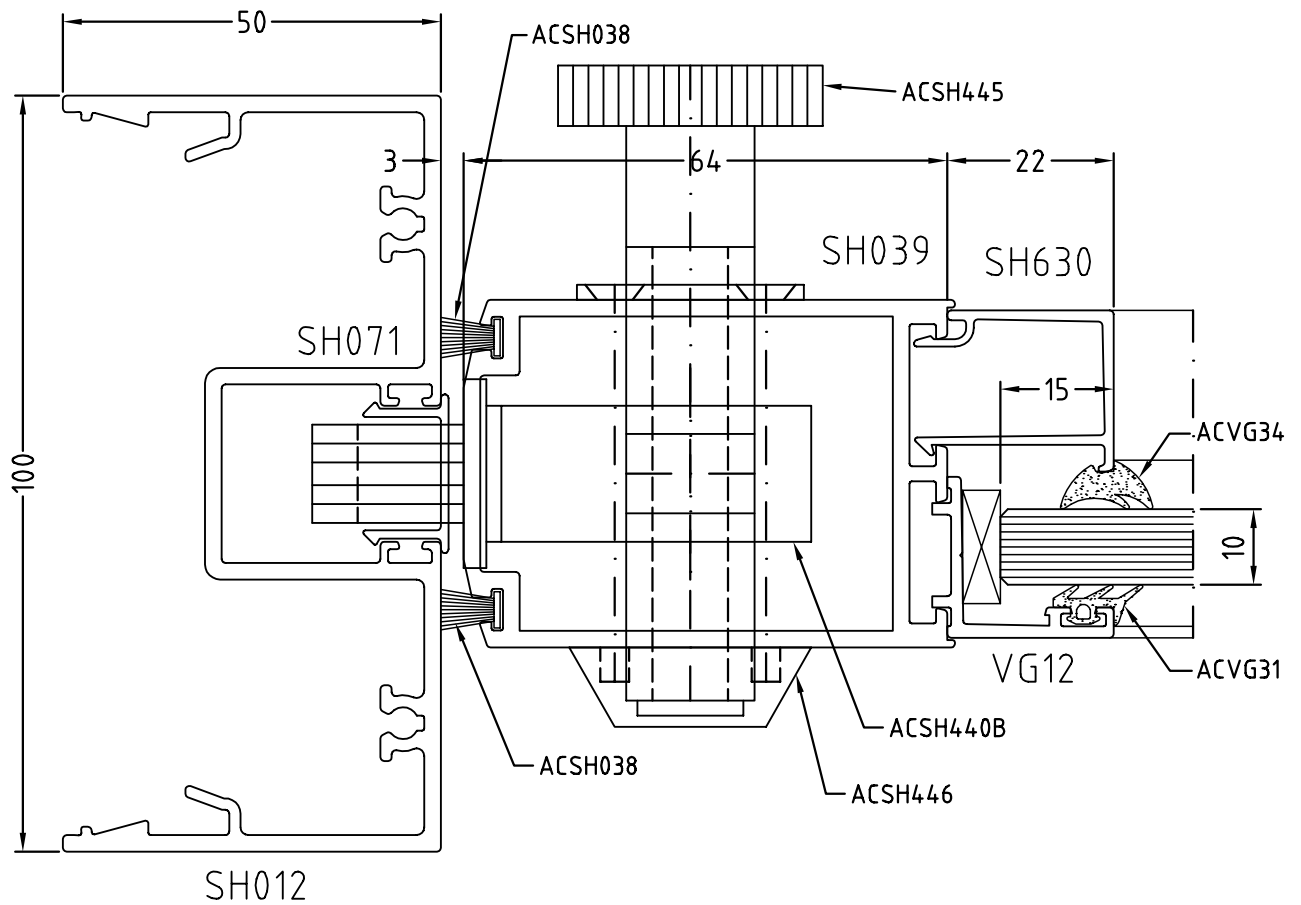
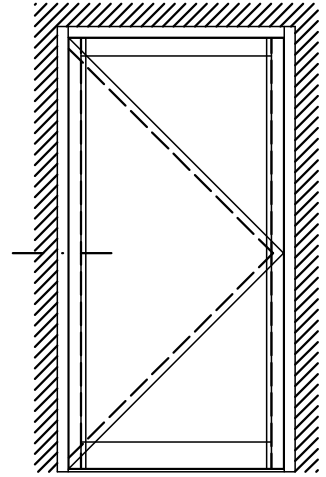


door17b



**SECTION**

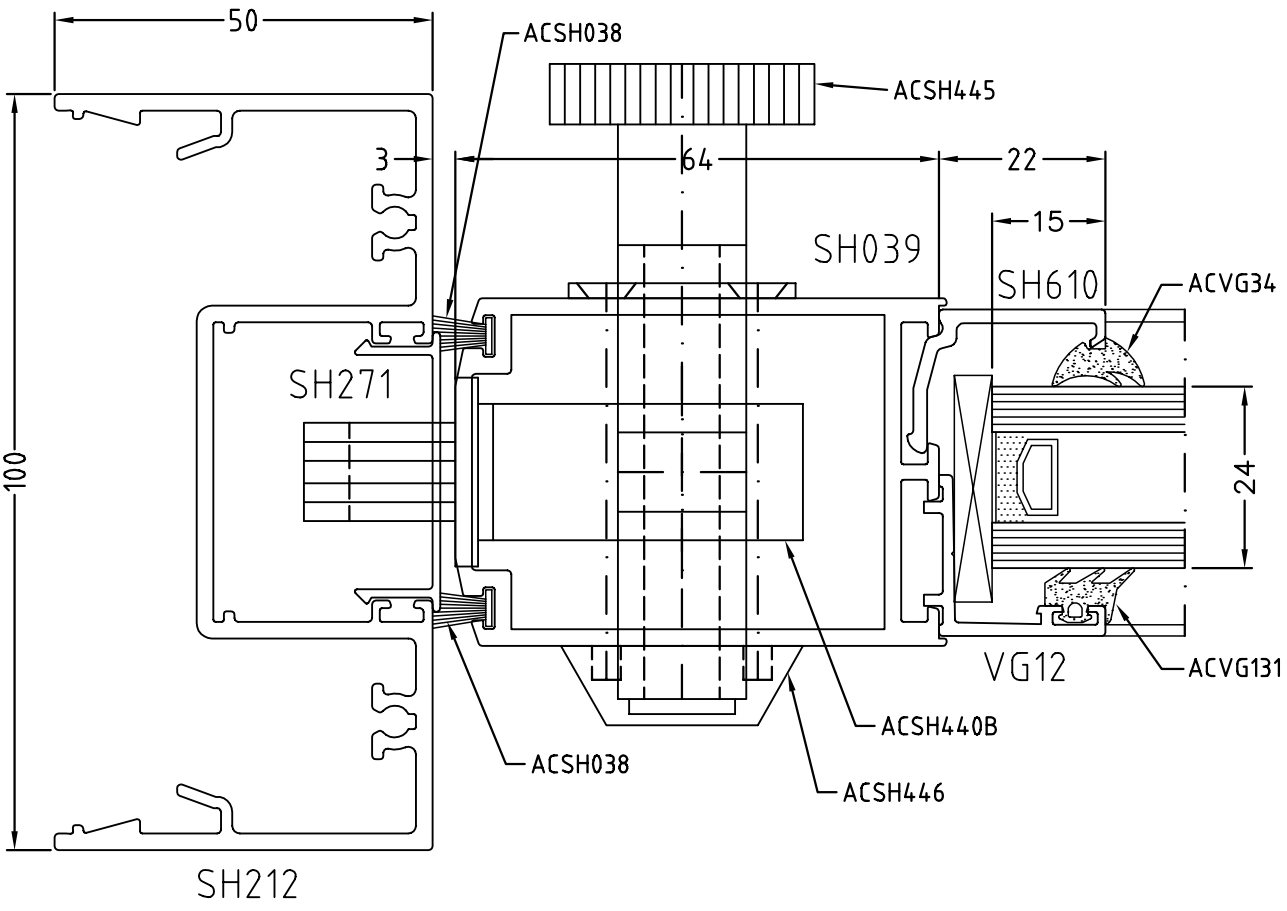
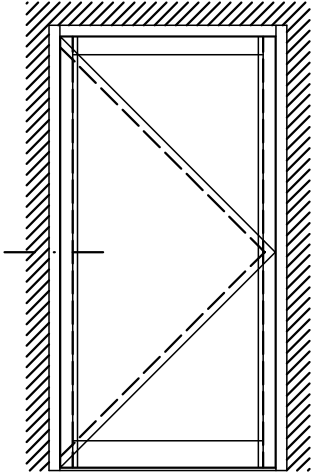
**17C**



door 17c

SECTION

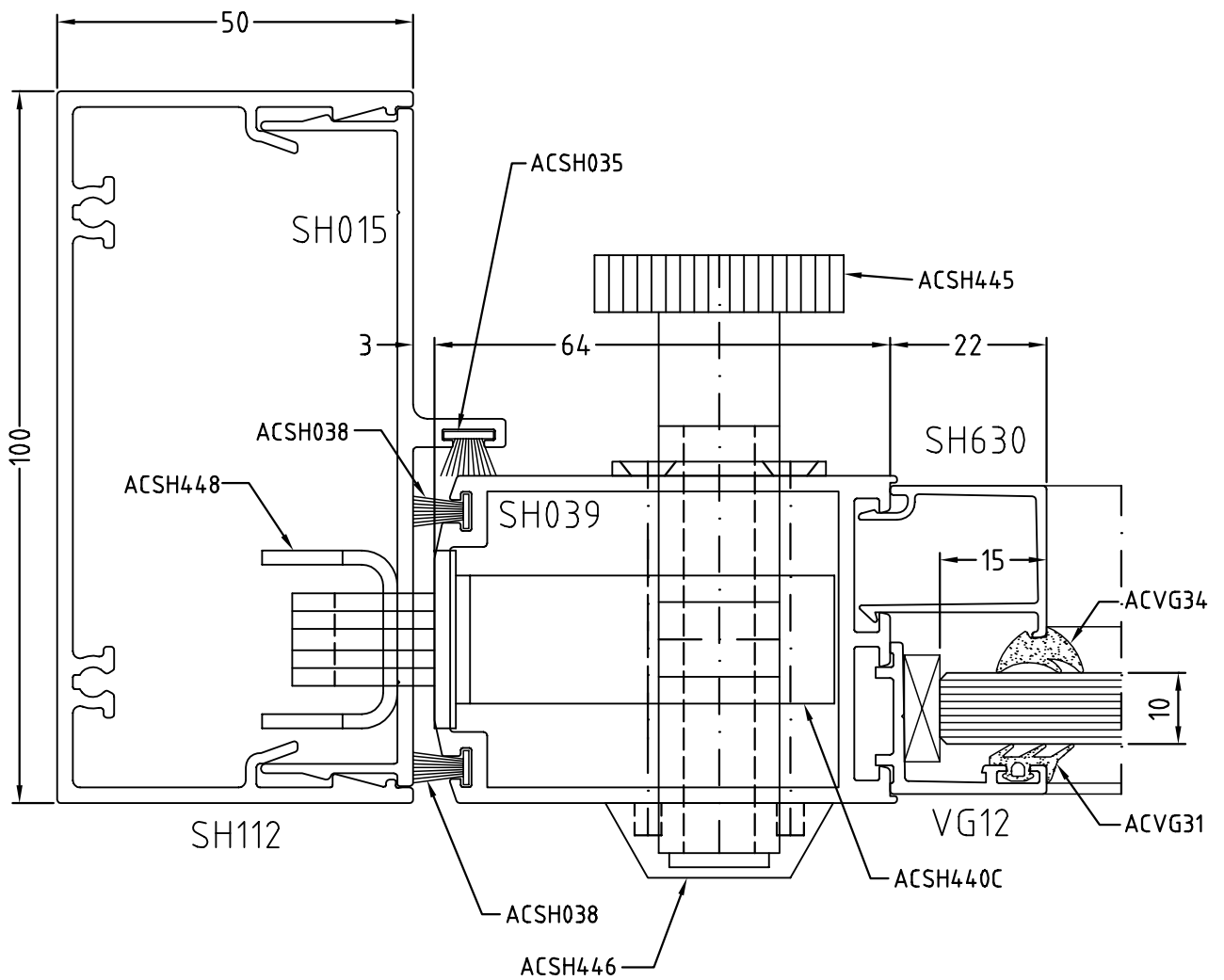
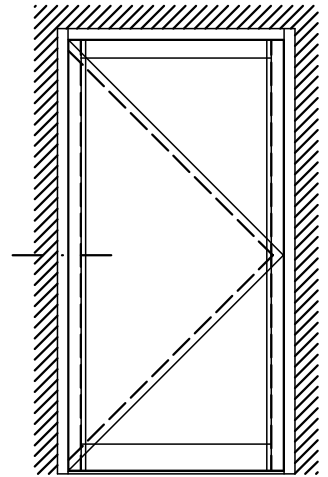
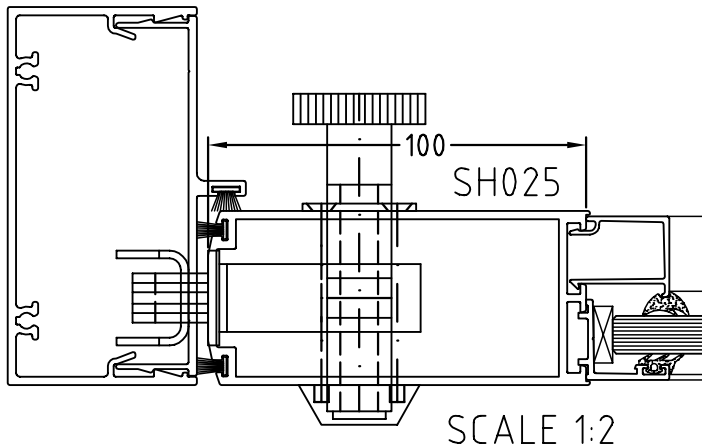
# 17D



door 17d

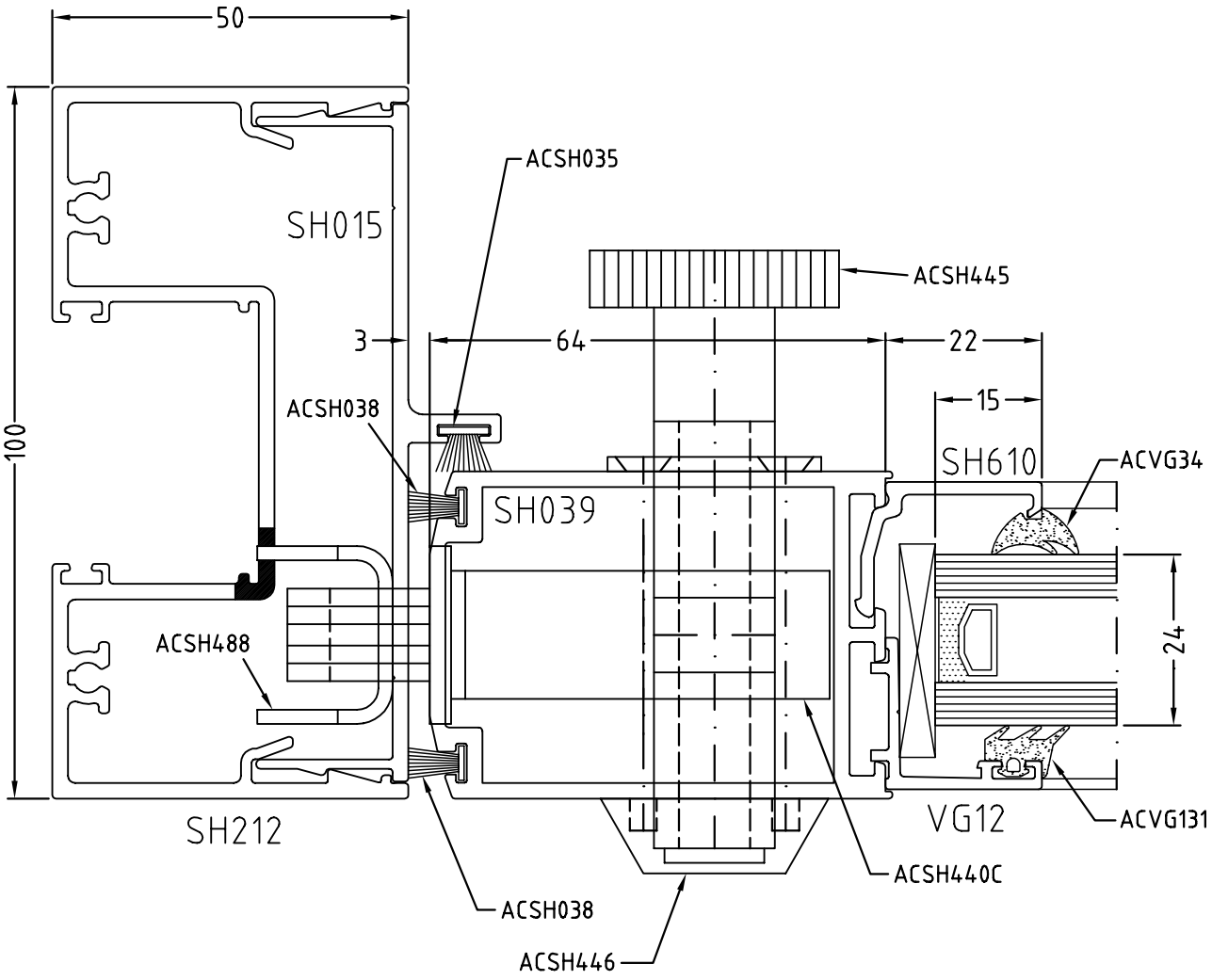
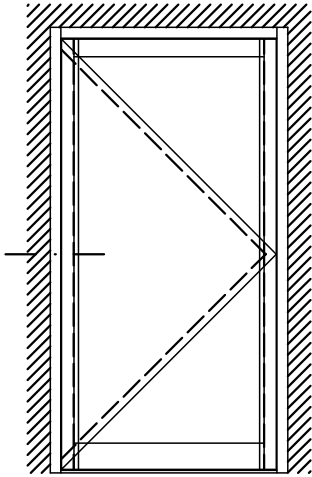
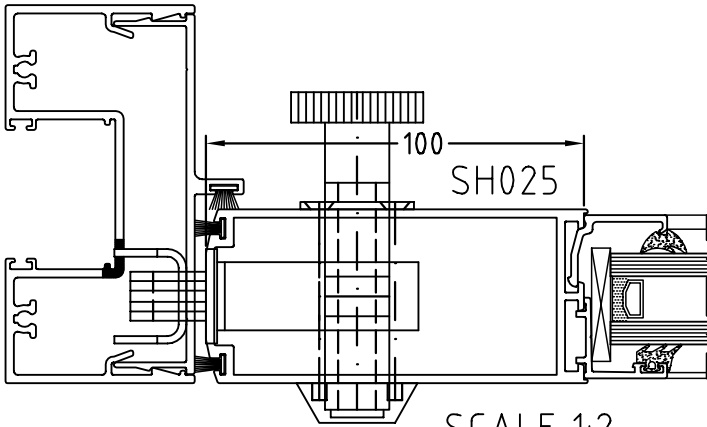
**SECTION**

**17E**



door 17e

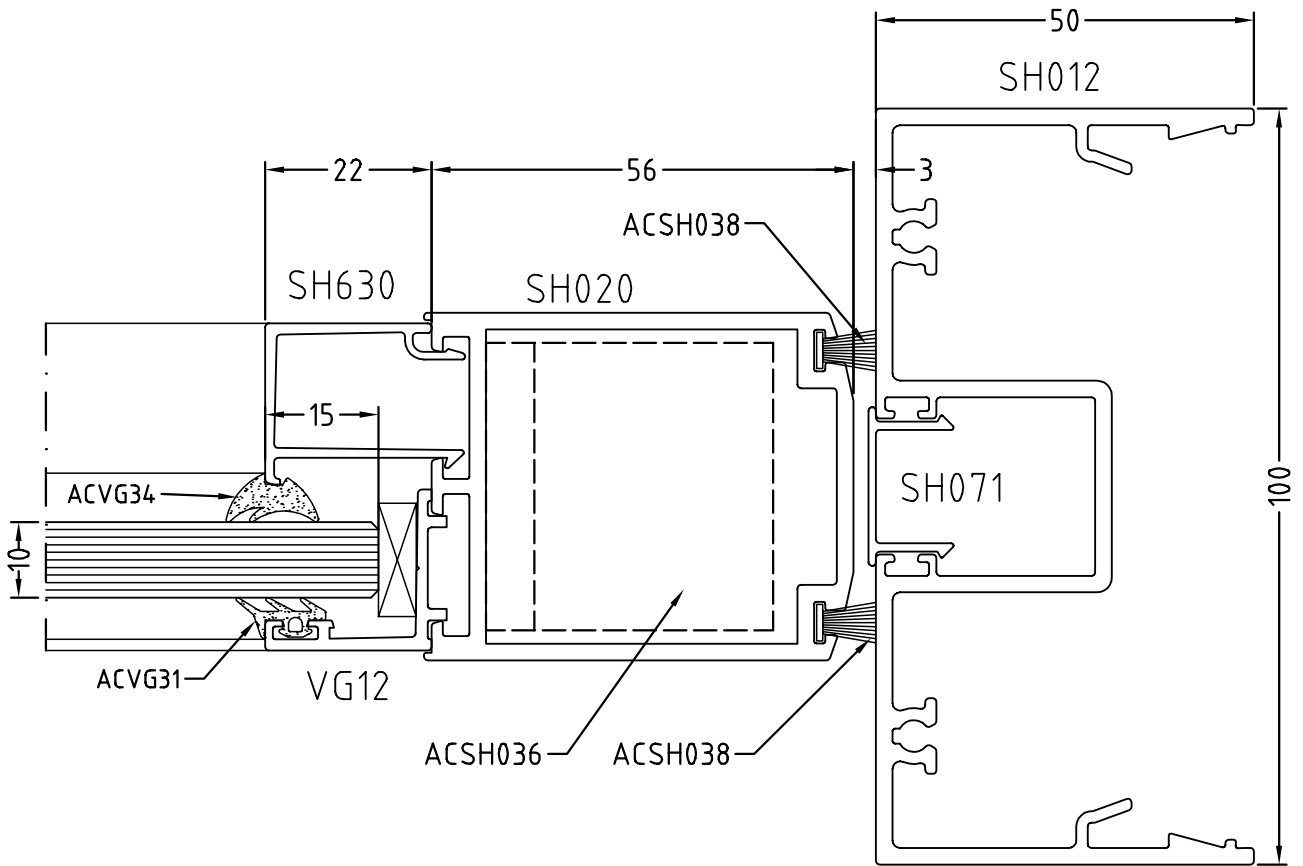
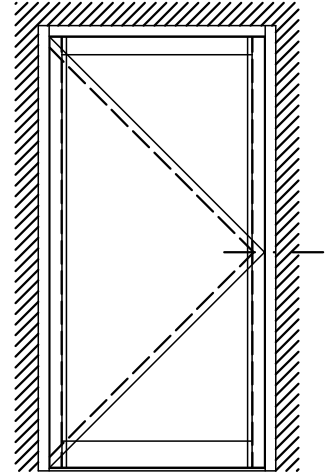
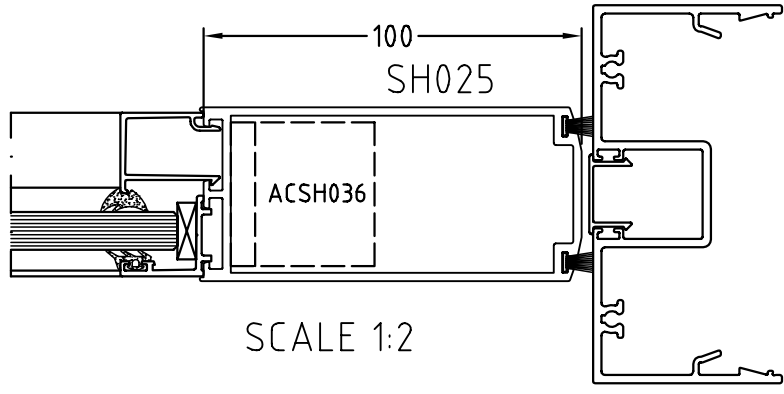
17F



door 17f

SECTION

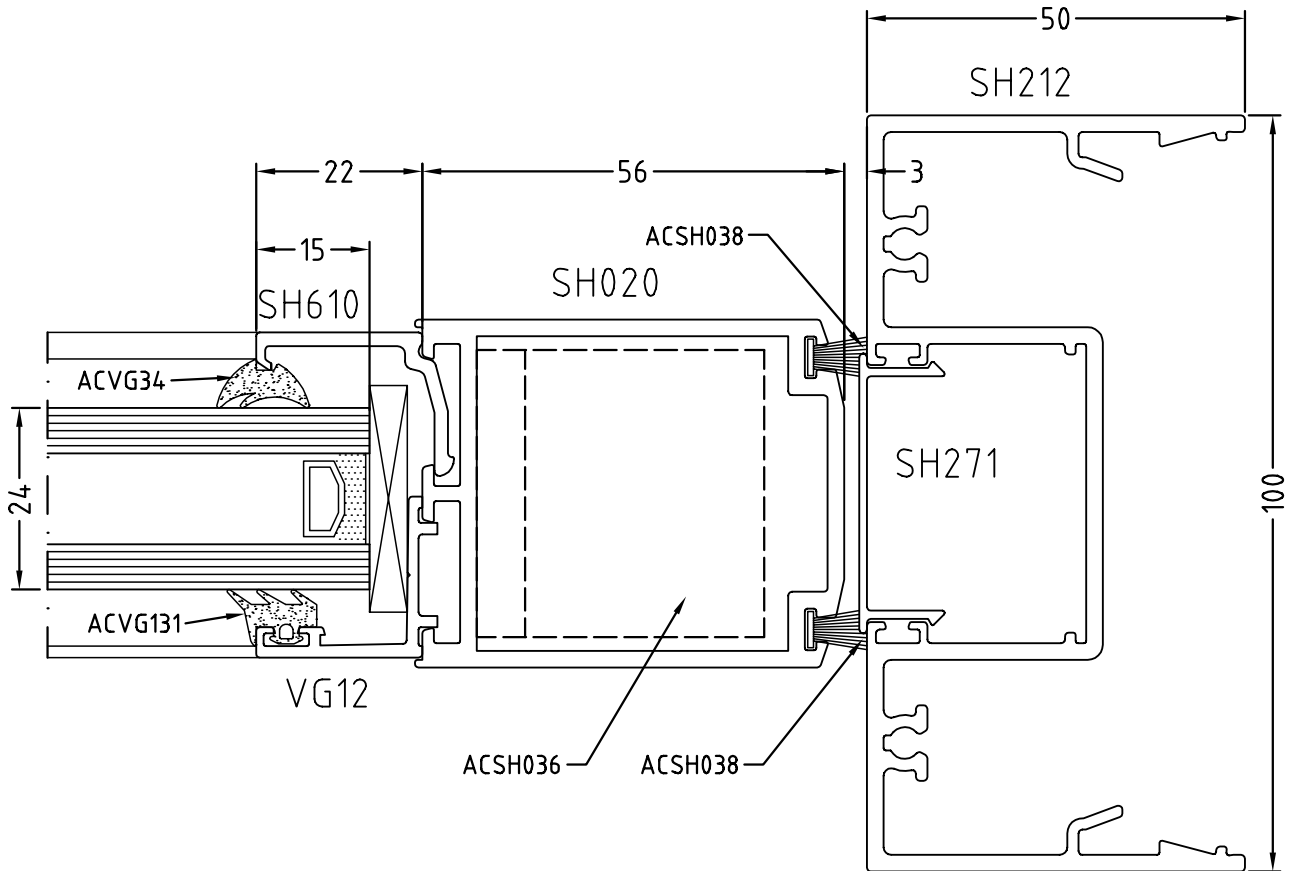
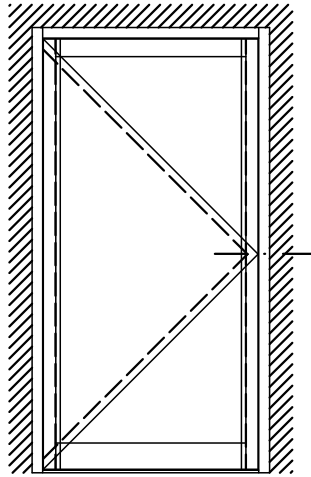
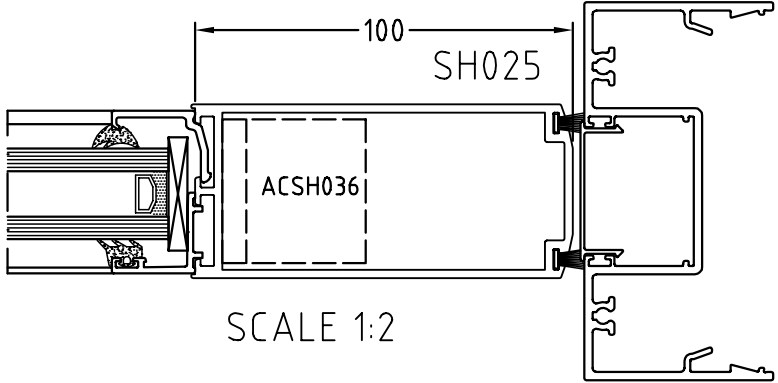
## 18A



door18a

SECTION

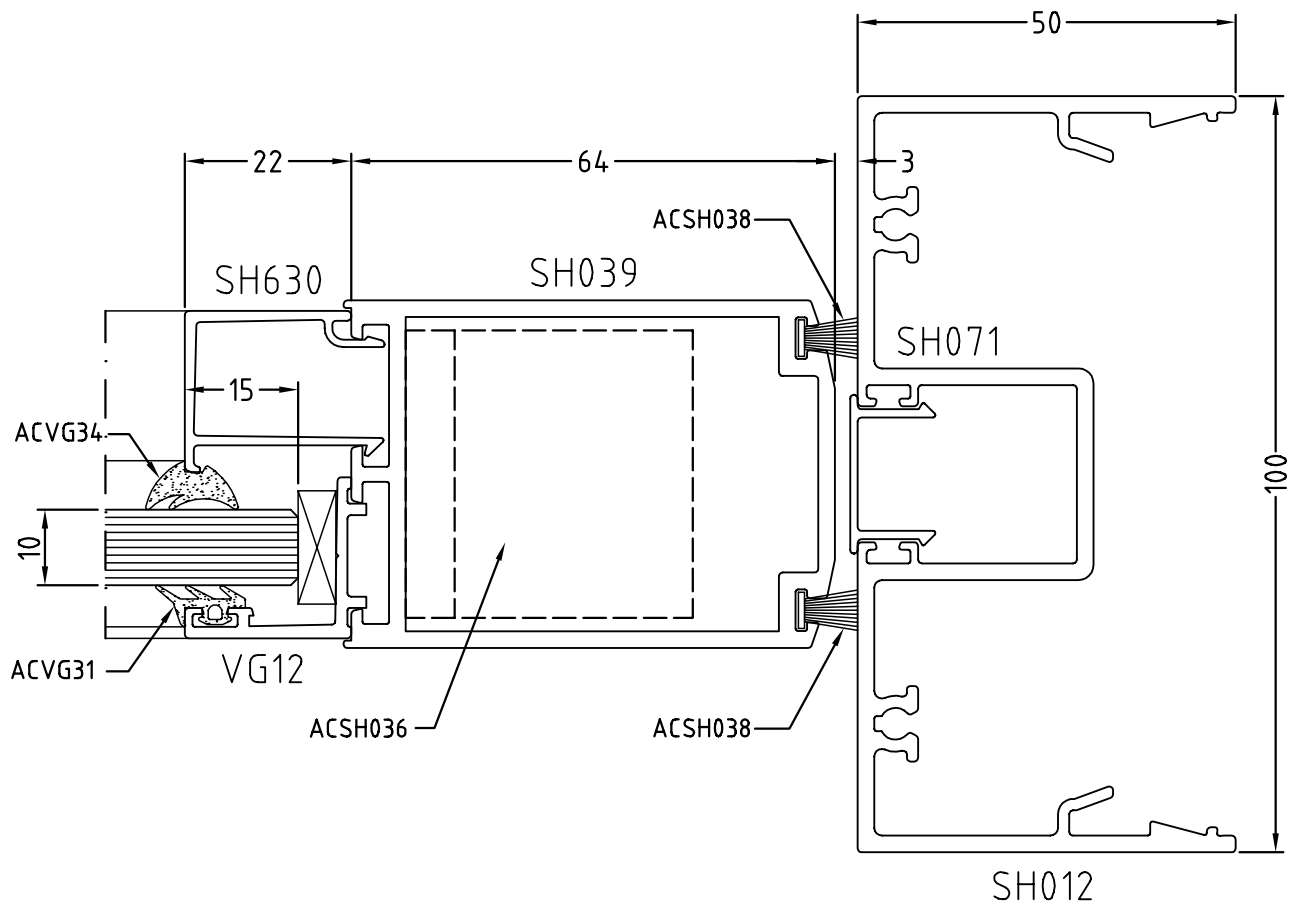
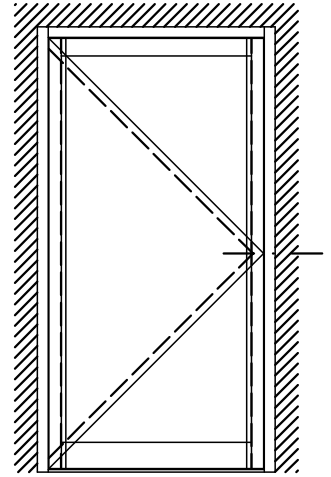
18B



door18b

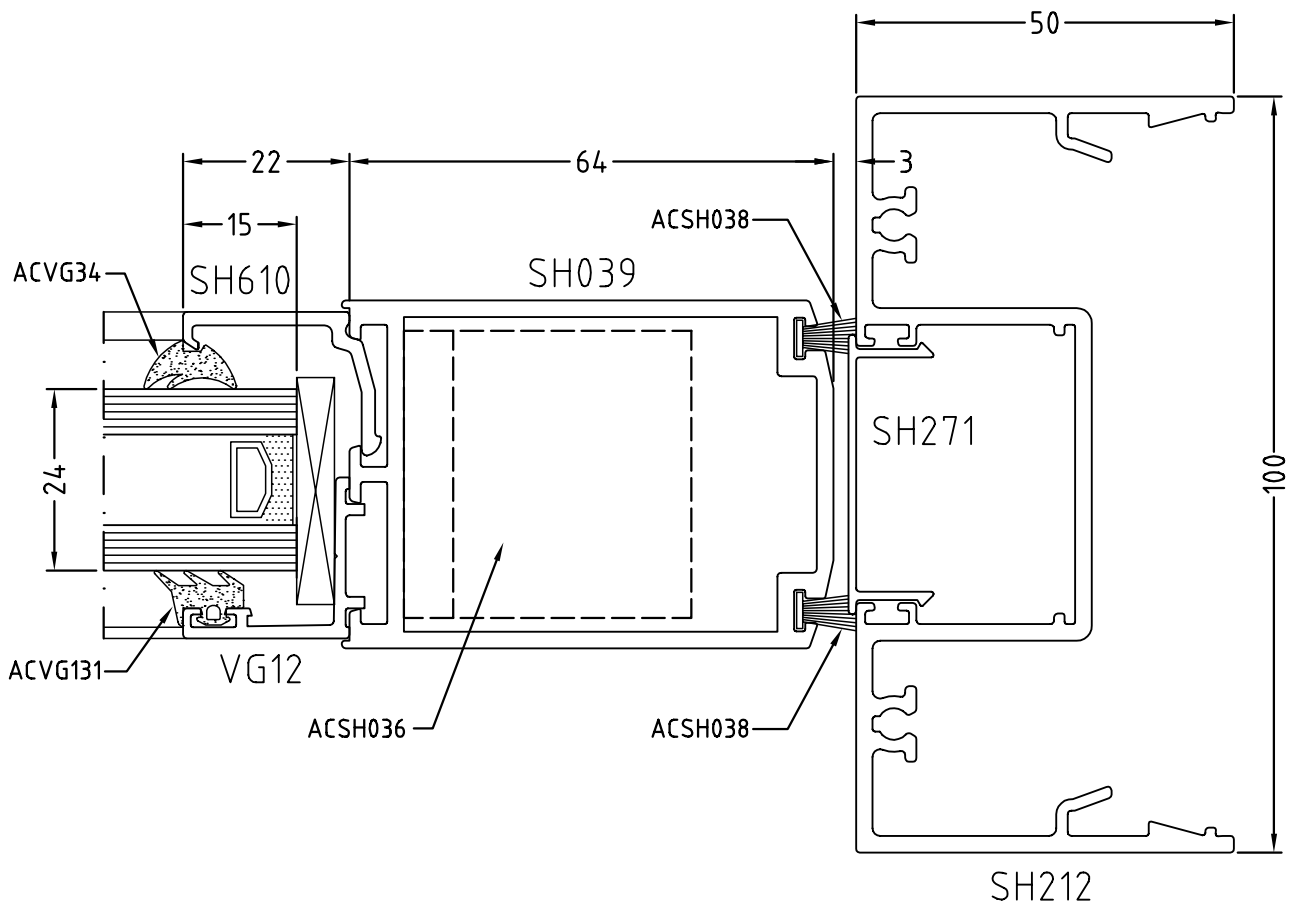
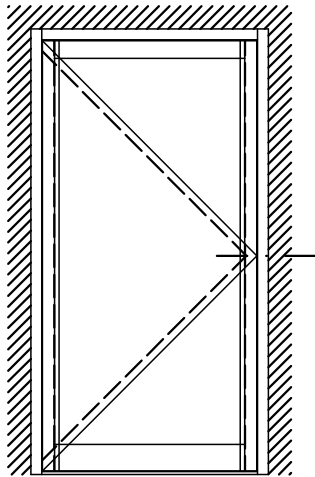
SECTION

**18C**



door 18c

# 18D

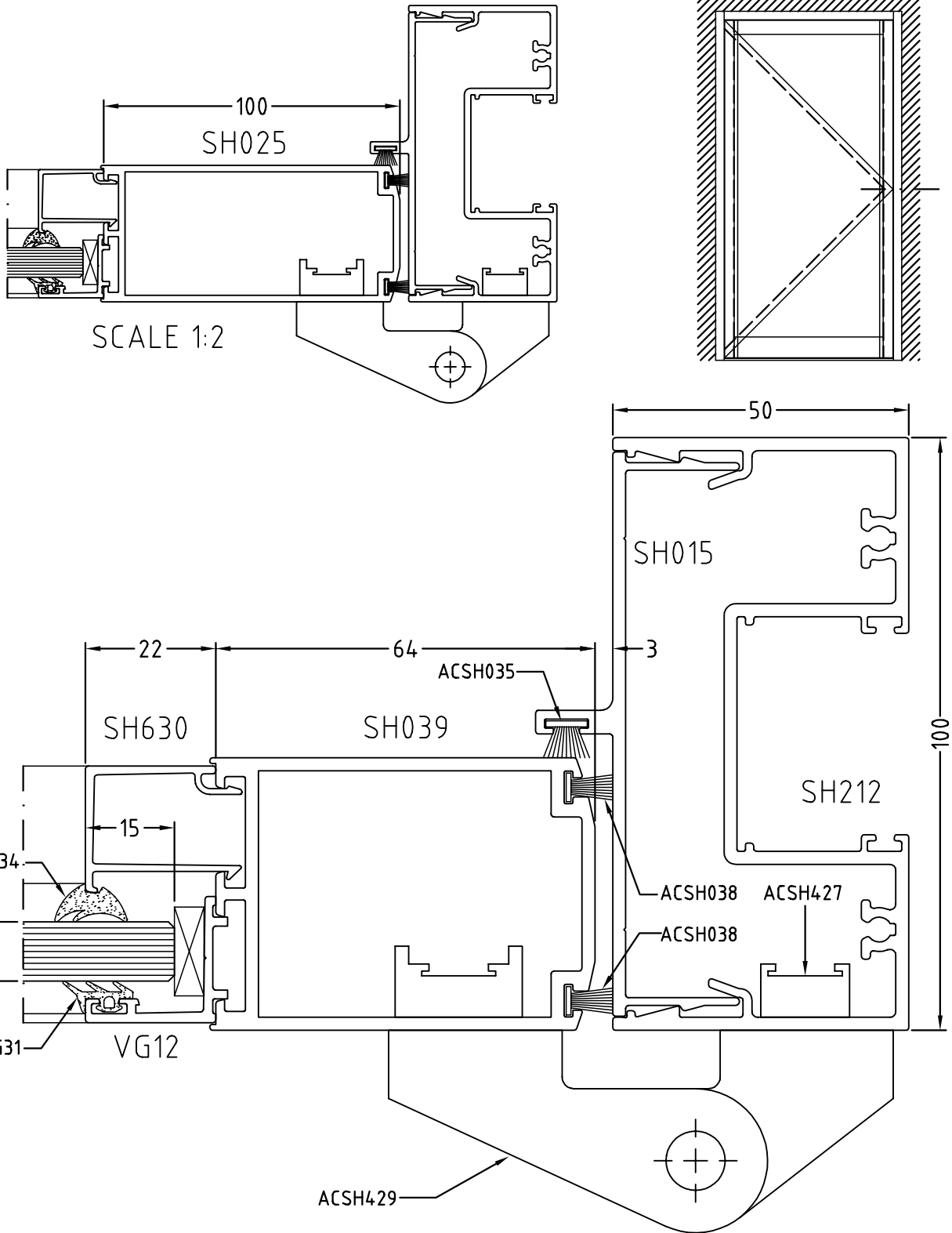


door 18d



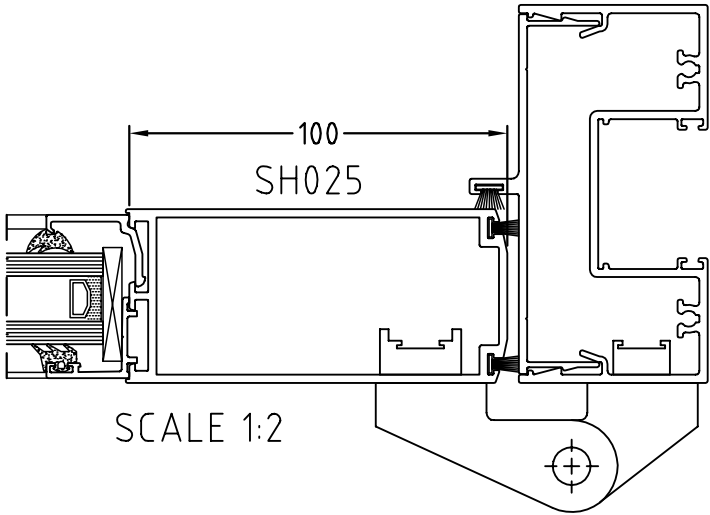
**SECTION**

**18E**

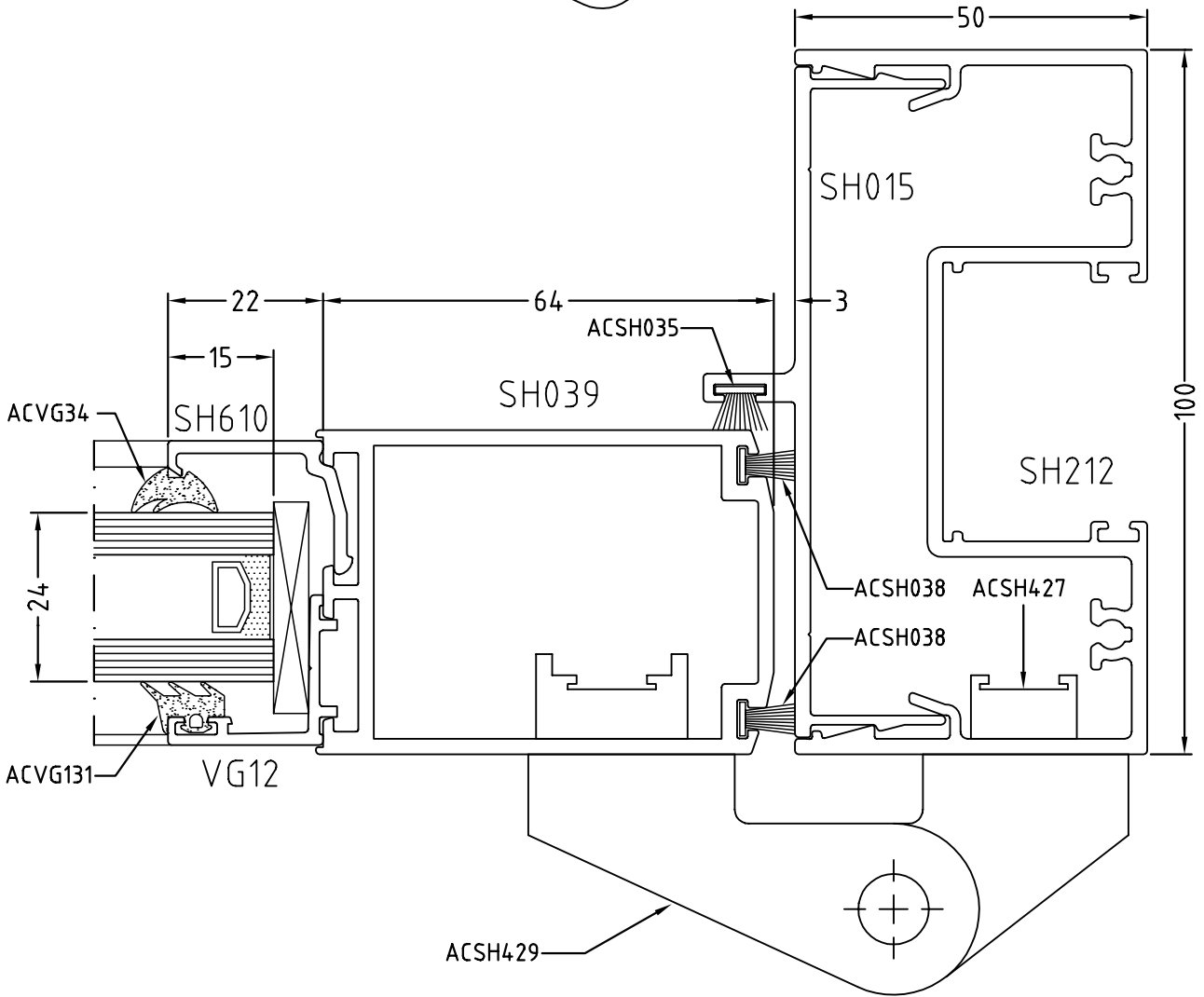
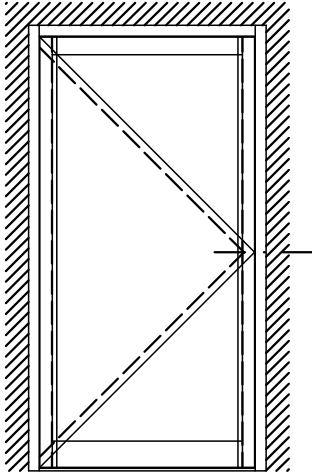


door 18e

# 18F



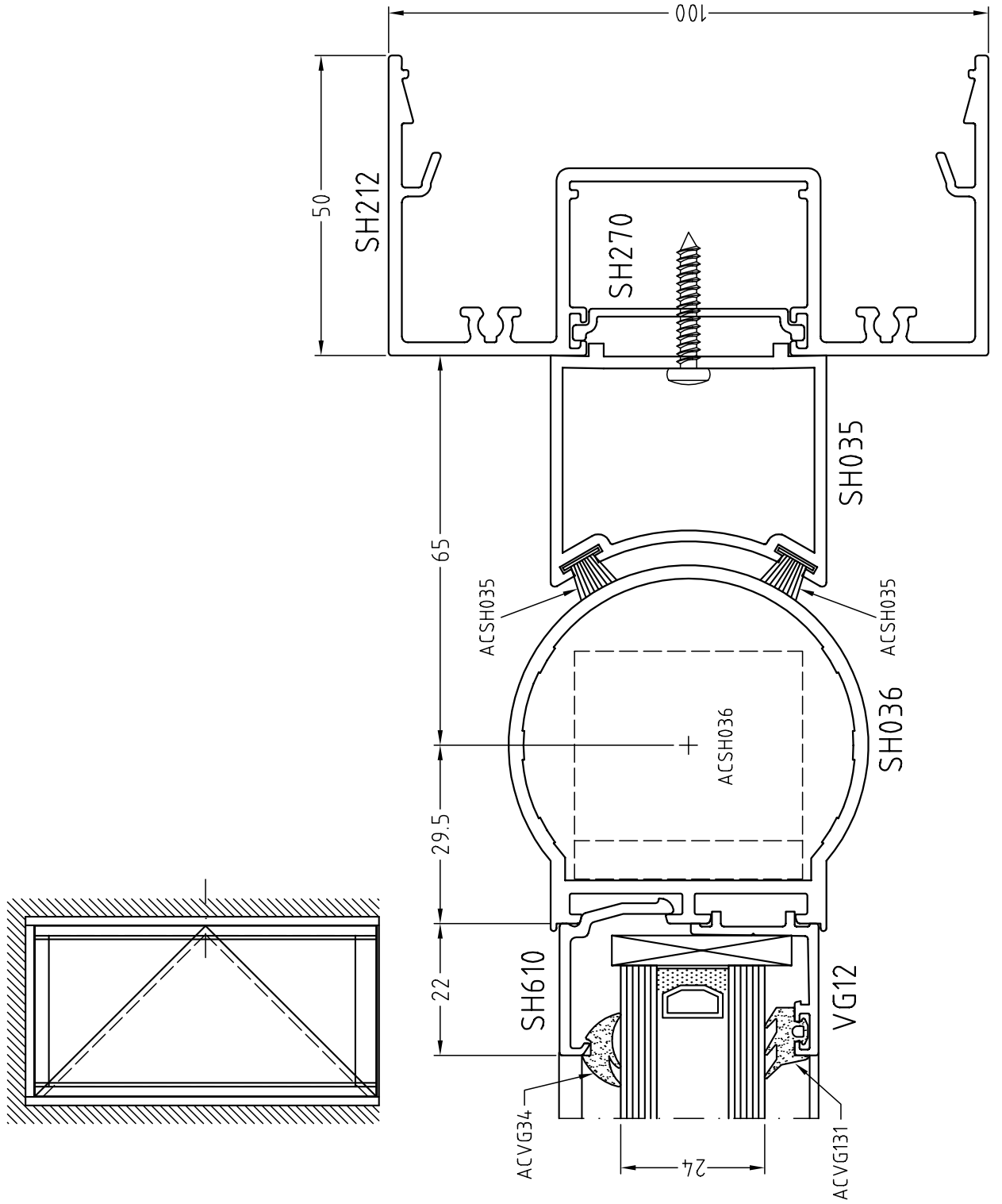
SCALE 1:2



door 18f

SECTION

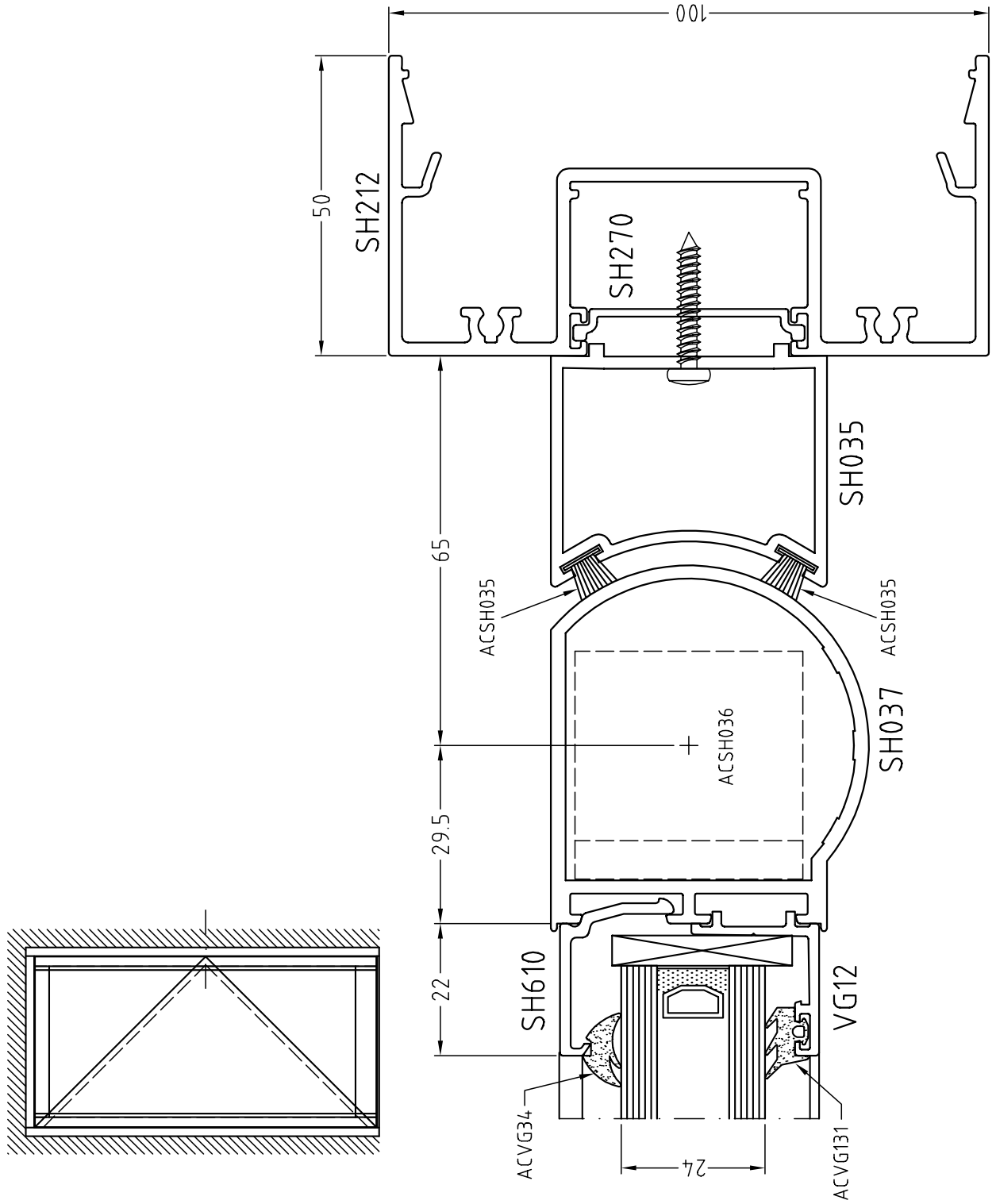
**18G**



door 18g

SECTION

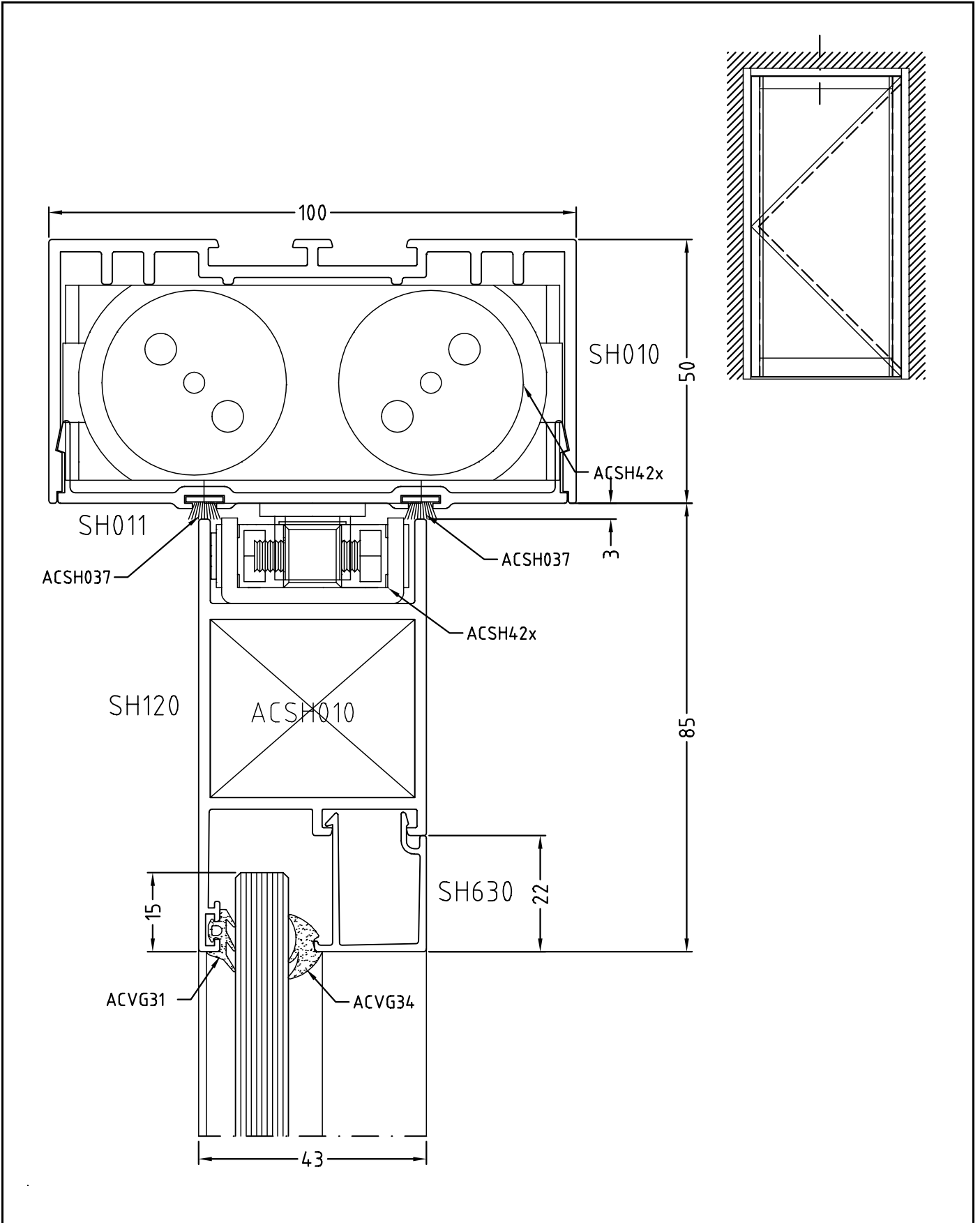
18H



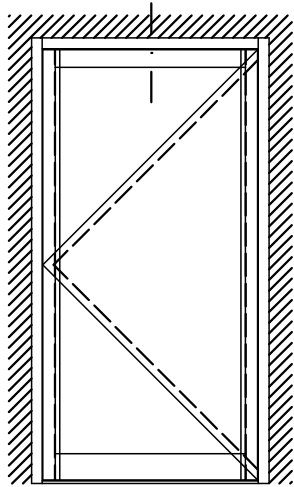
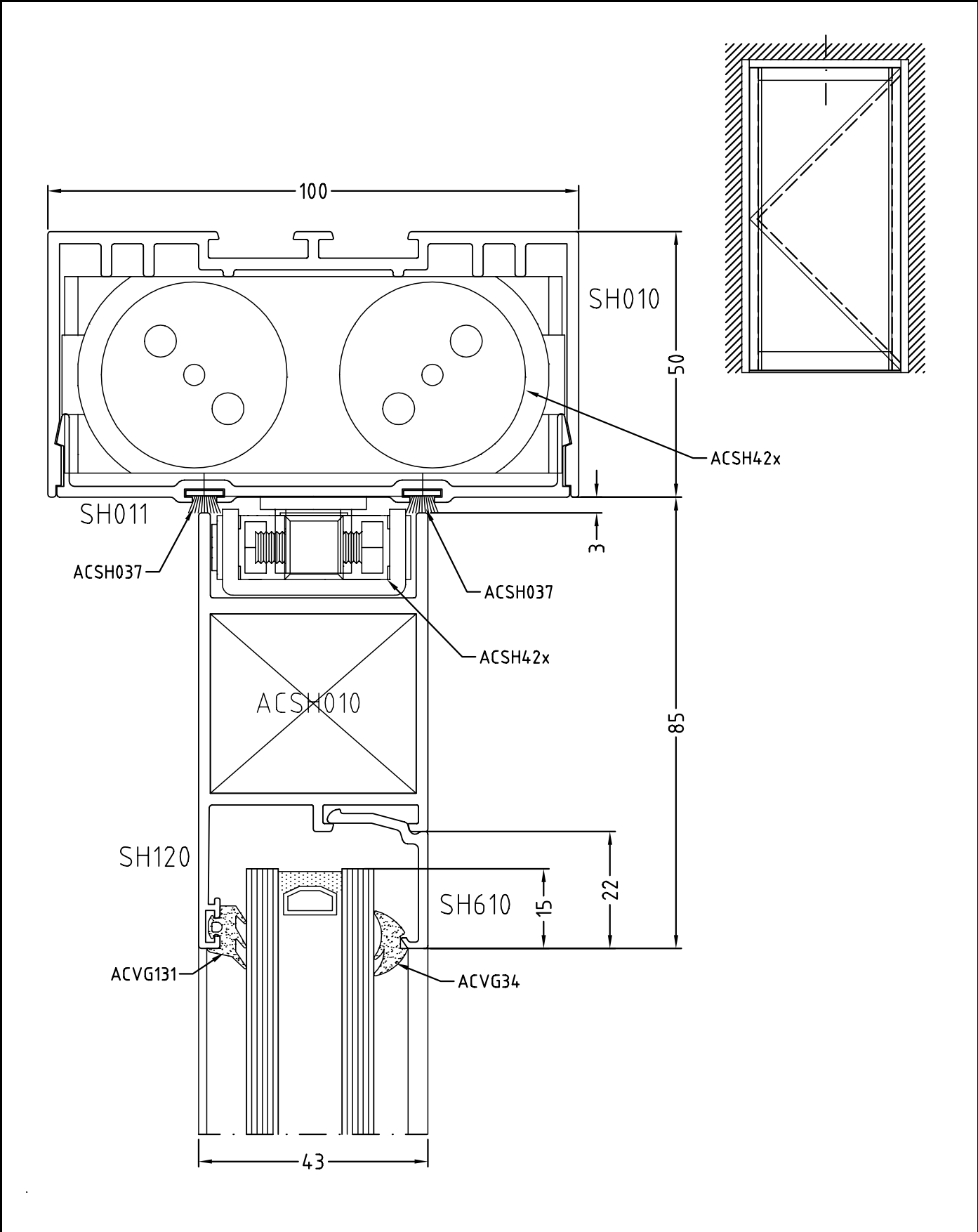
door 18h

SECTION

# 19A

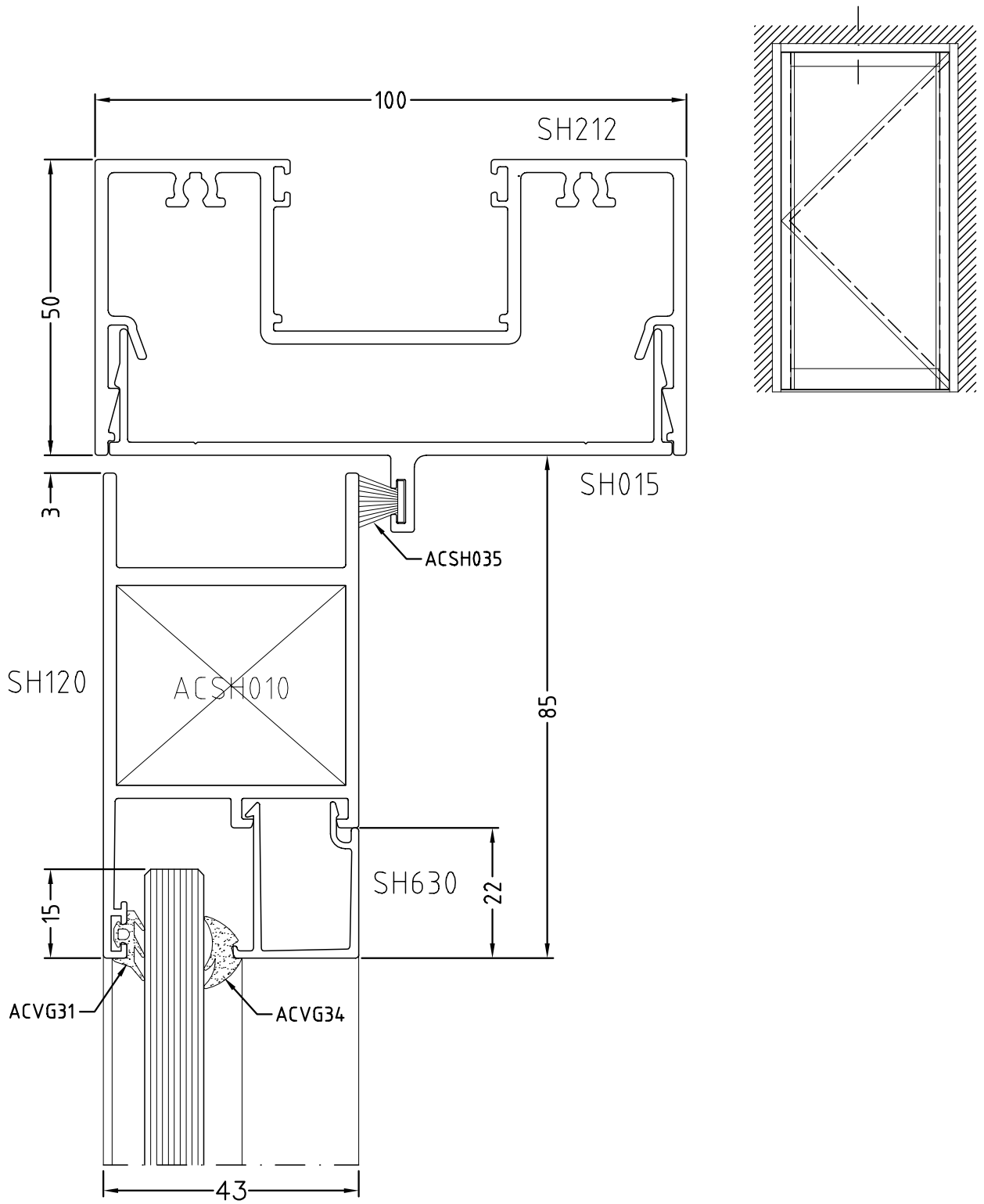


19B



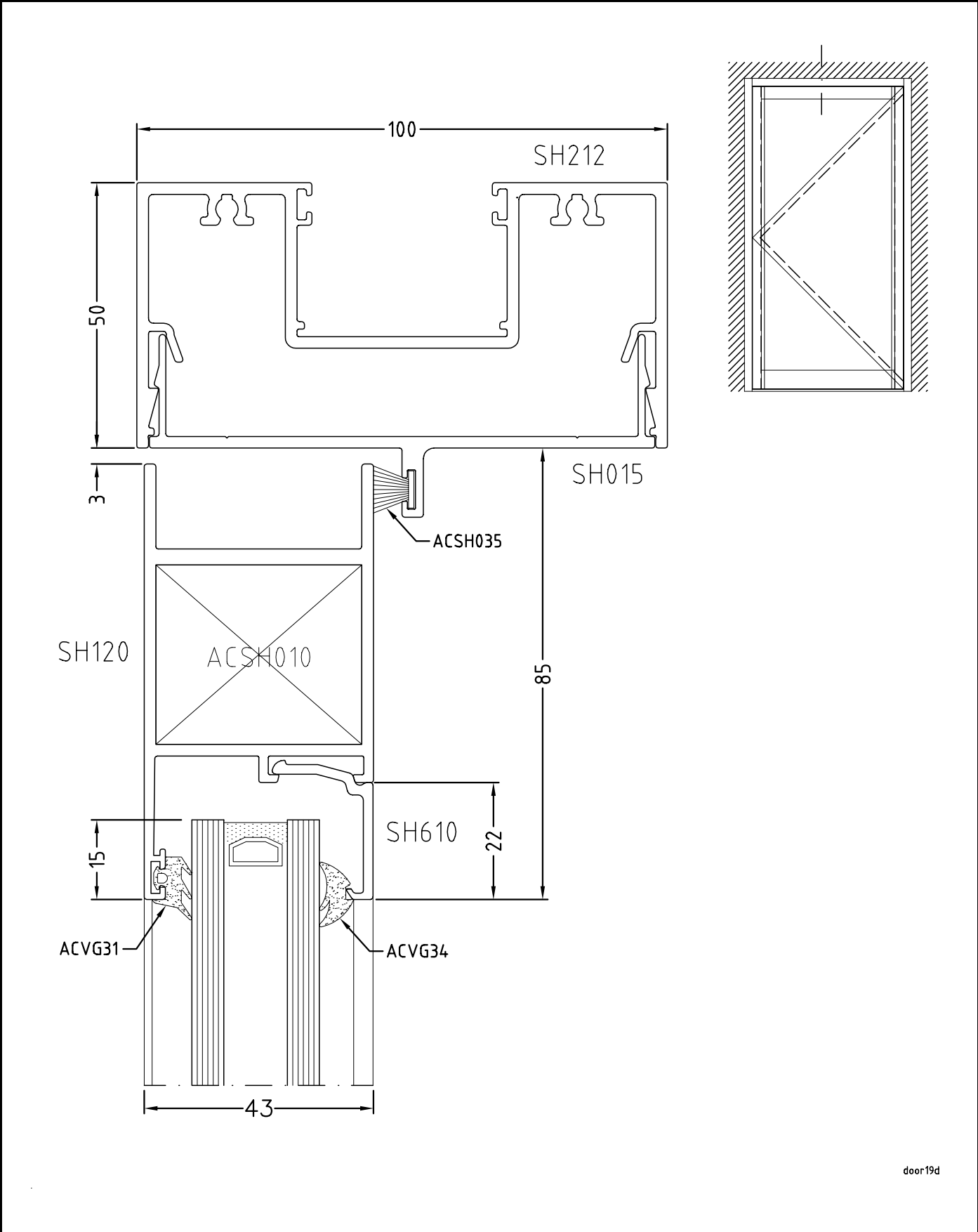
SECTION

19C



door19c

# 19D

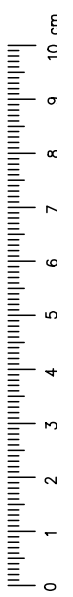
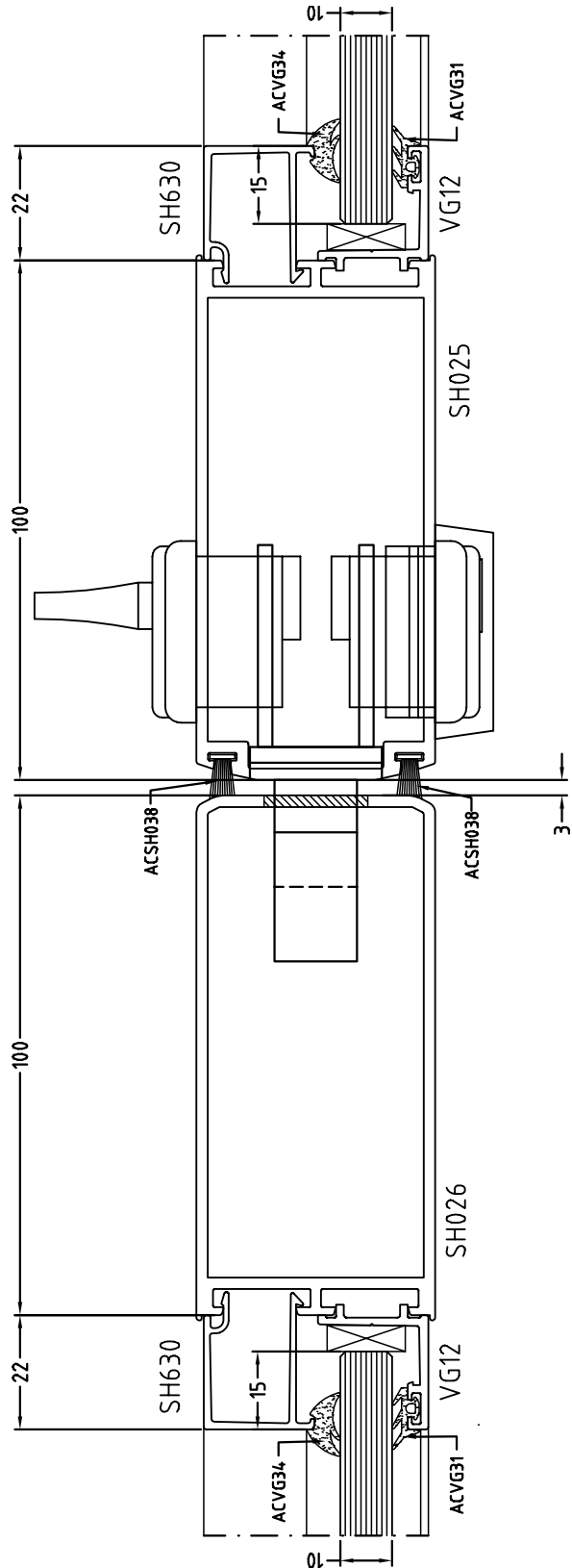
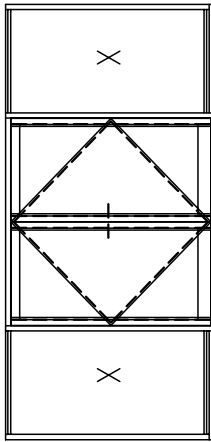


door19d



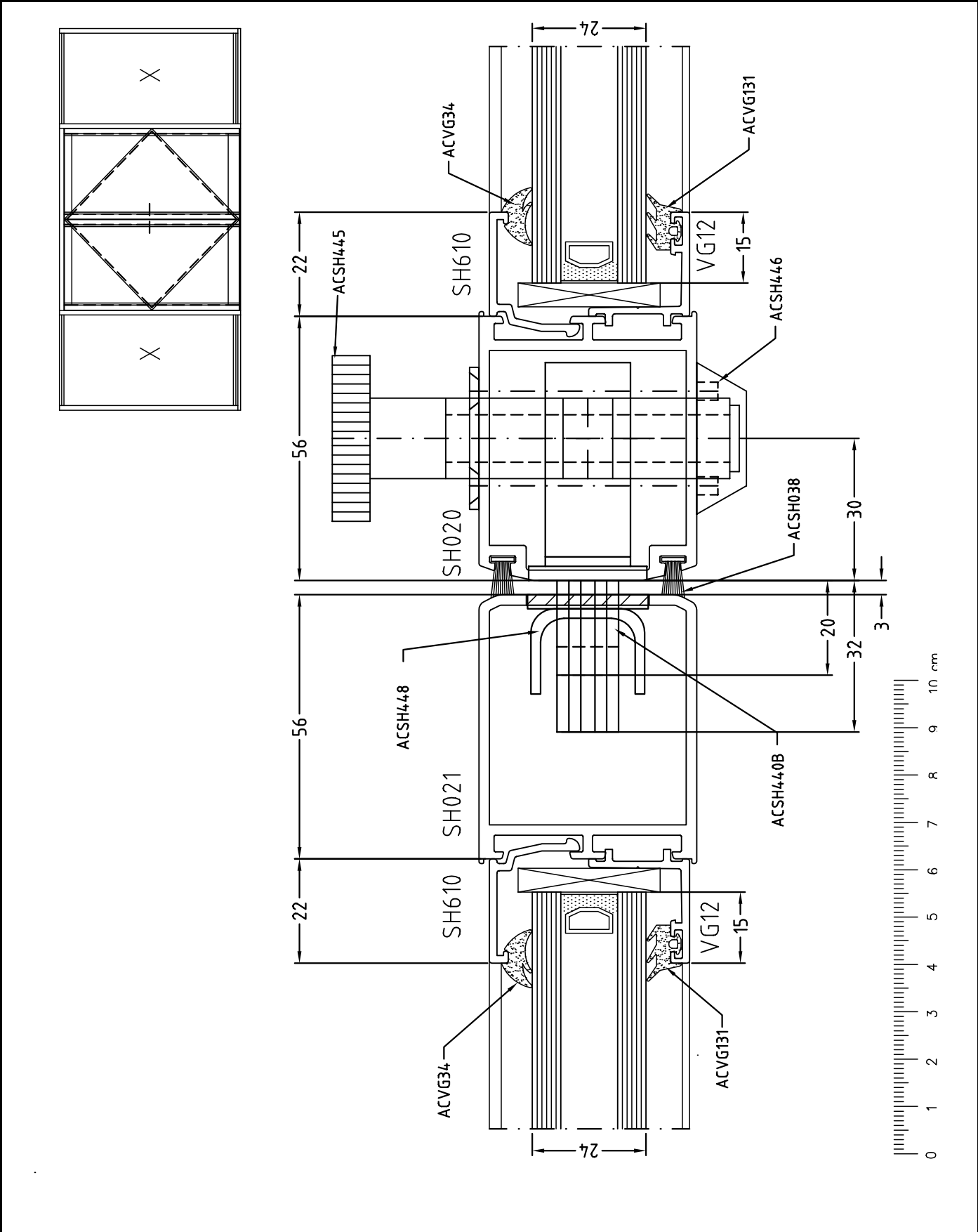
SECTION

## 20A



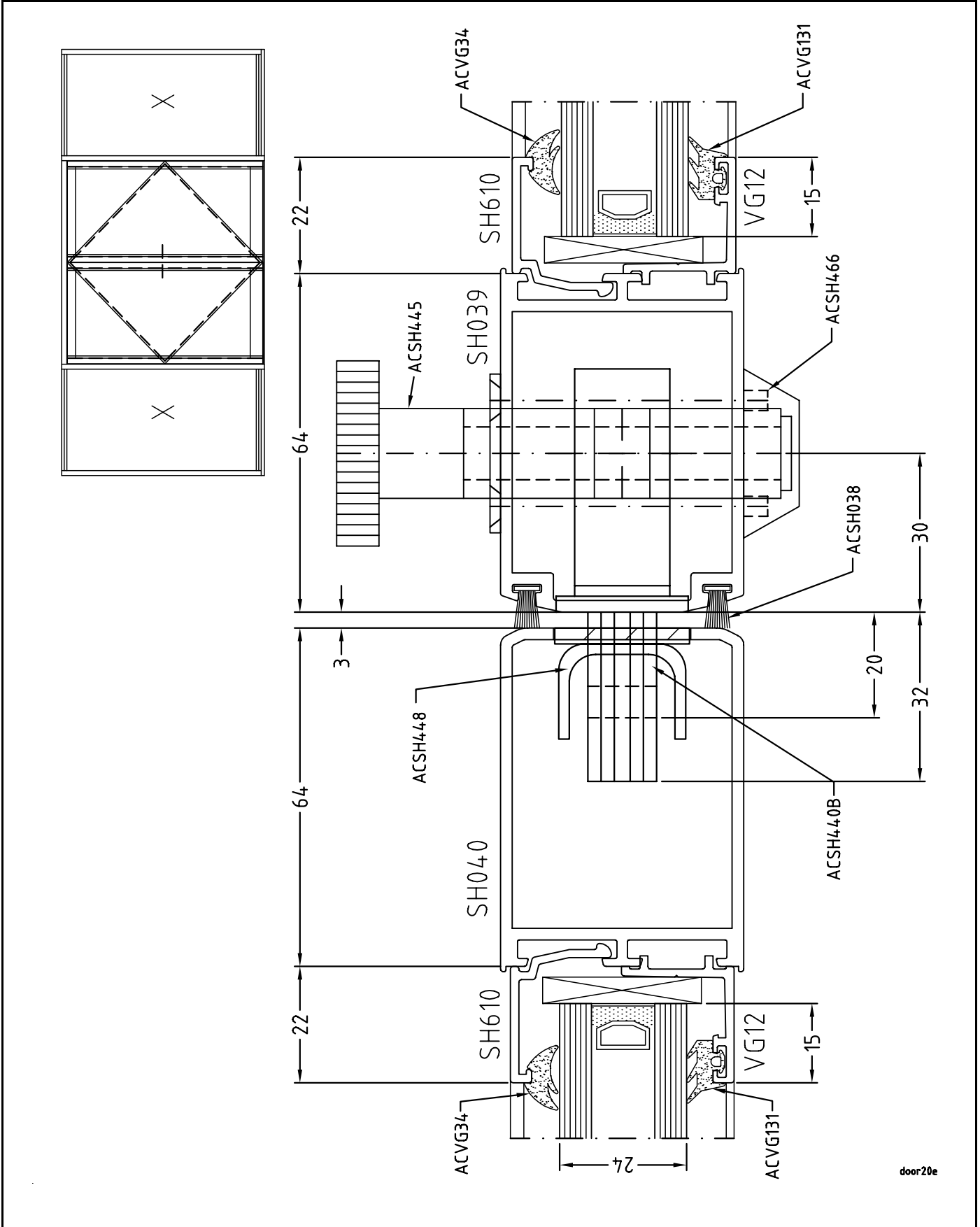
SECTION

20B



**SECTION**

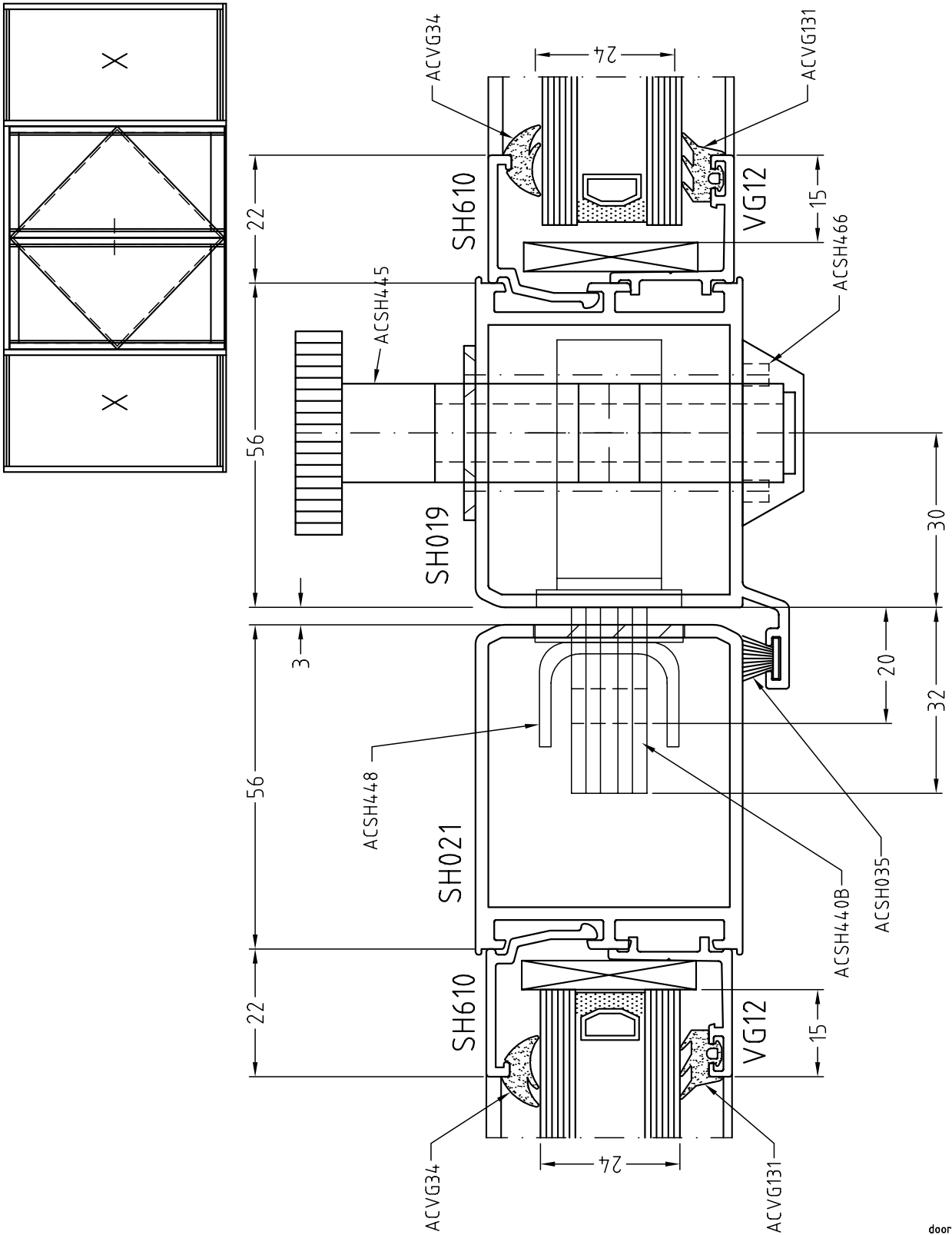
**20C**



door20e

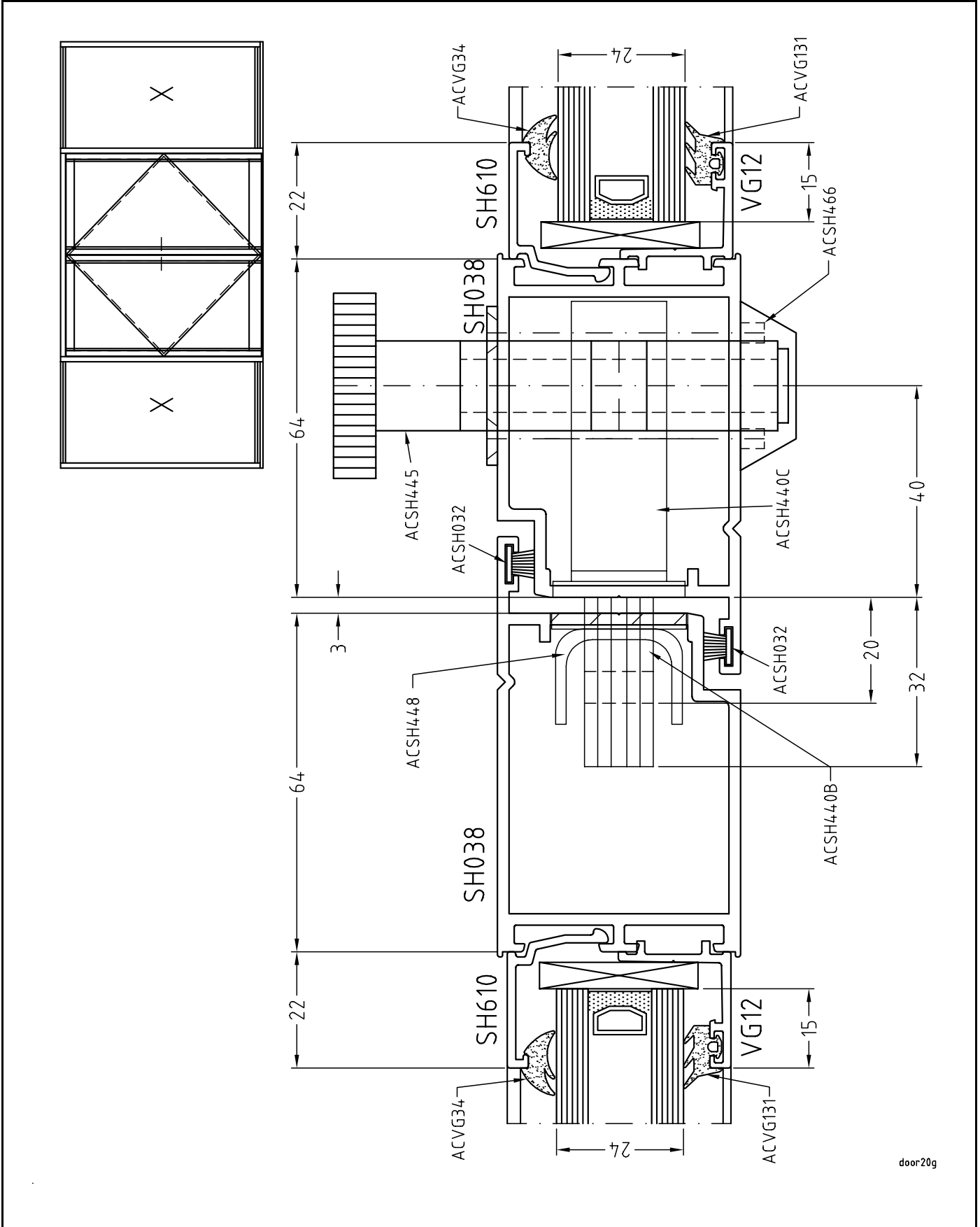
SECTION

20D



door20f

**20E**

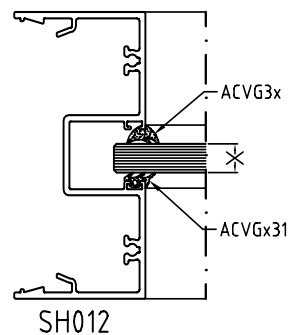


door20g

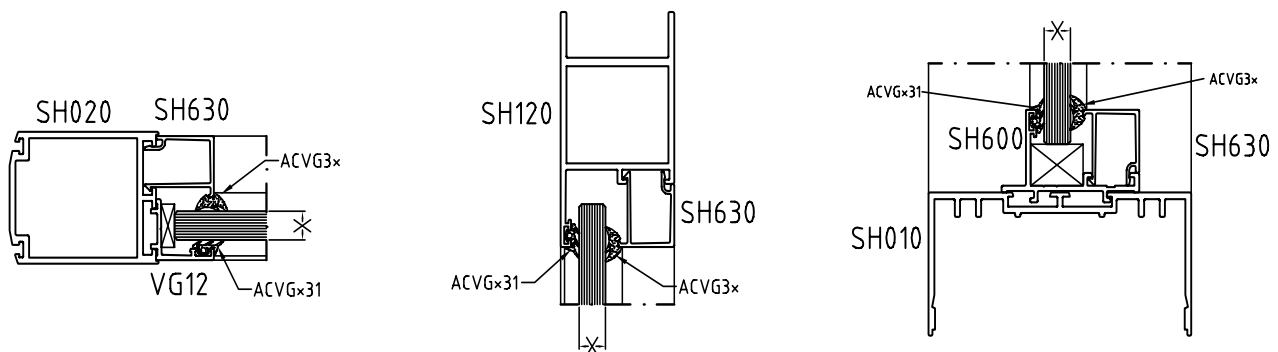
## SECTION

## GLAZING TABLE

Glazing thickness	Glazing gasket outside	Glazing gasket
6 mm	ACVG131	ACVG340
7 mm	ACVG131	ACVG340
8 mm	ACVG31	ACVG340
9 mm	ACVG31	ACVG340
10 mm	ACVG31	ACVG34
11 mm	ACVG231	ACVG34
12 mm	ACVG231	ACVG33



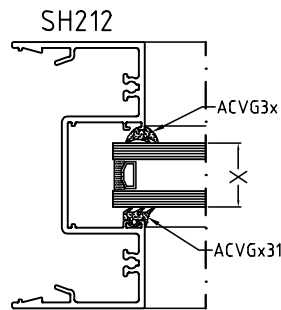
Glazing thickness	Glazing gasket outside	Glazing gasket	Glazing bead
6 mm	ACVG131	ACVG340	SH630
7 mm	ACVG131	ACVG340	SH630
8 mm	ACVG31	ACVG340	SH630
9 mm	ACVG31	ACVG340	SH630
10 mm	ACVG31	ACVG34	SH630
11 mm	ACVG231	ACVG34	SH630
12 mm	ACVG231	ACVG33	SH630



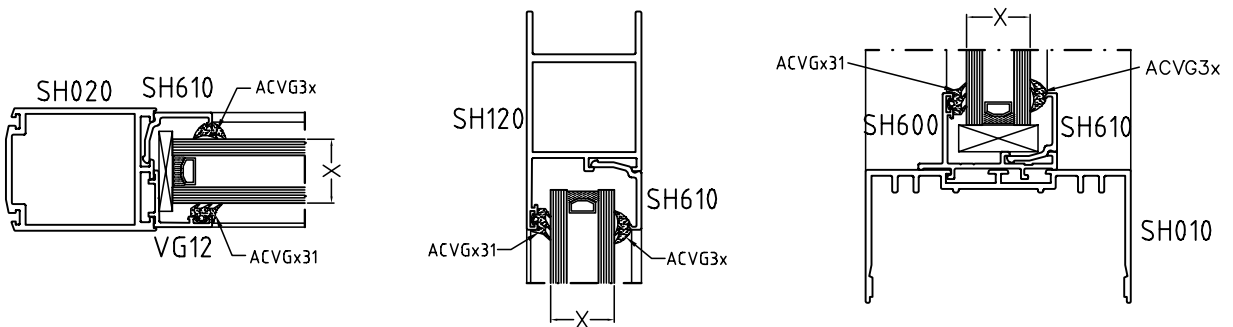
**SECTION**

**GLAZING TABLE**

Glazing thickness	Glazing gasket outside	Glazing gasket
24	ACVG131	ACVG34
25	ACVG131	ACVG33
26	ACVG31	ACVG34
27	ACVG31	ACVG33
28	ACVG31	ACVG32



Glazing thickness	Glazing gasket outside	Glazing gasket	Glazing bead
24	ACVG131	ACVG34	SH610
25	ACVG131	ACVG33	SH610
26	ACVG31	ACVG34	SH610
27	ACVG31	ACVG33	SH610
28	ACVG31	ACVG32	SH610



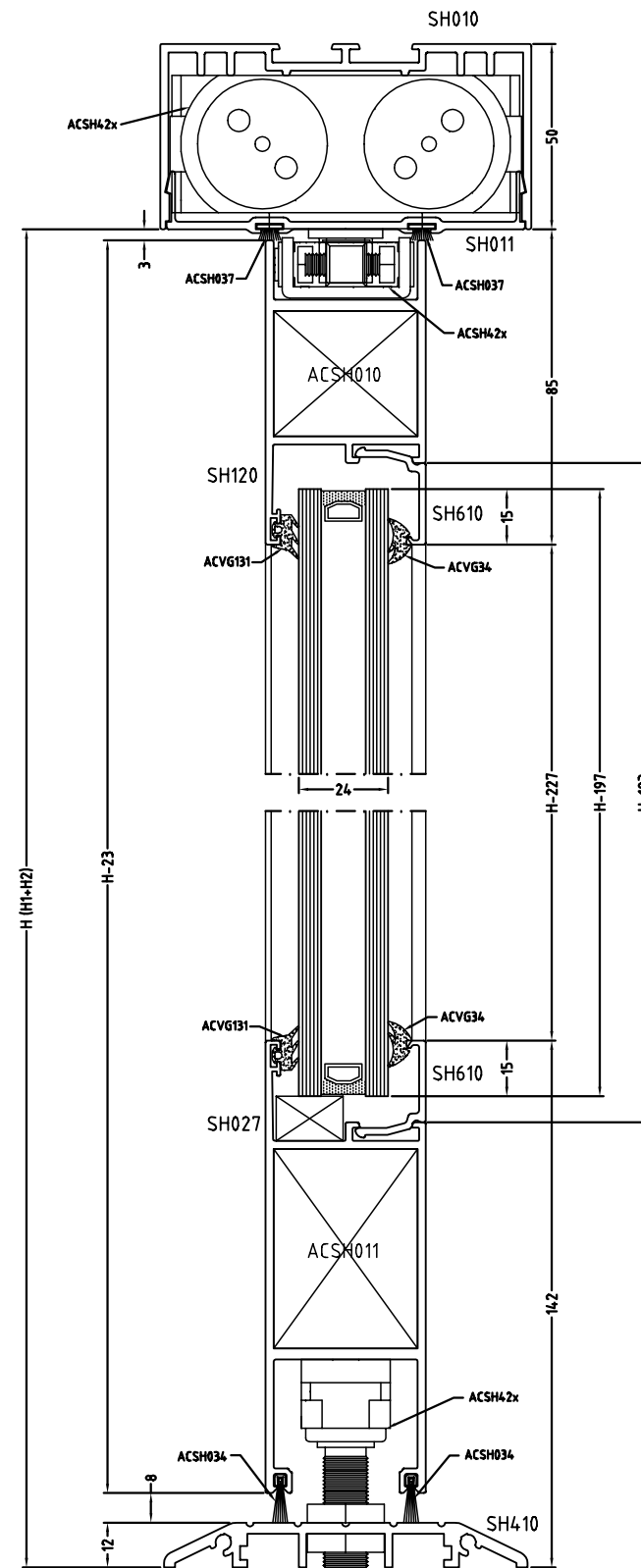
dubbel





SECTION

SINGLE SWING DOOR USING SH020 WITH SH027



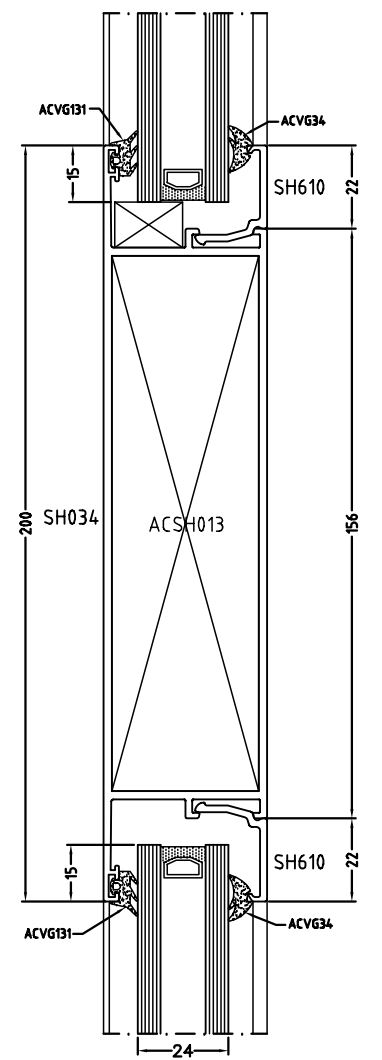
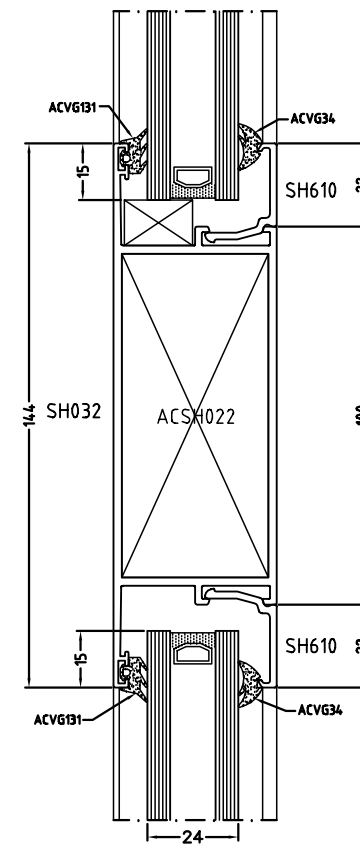
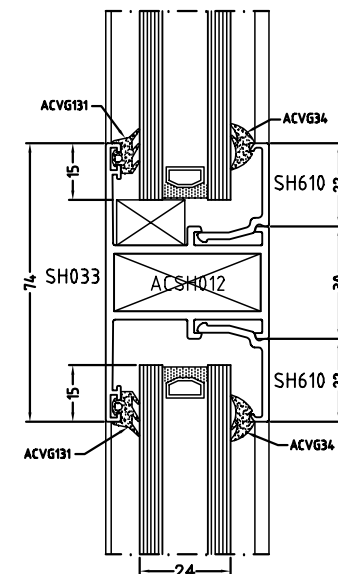
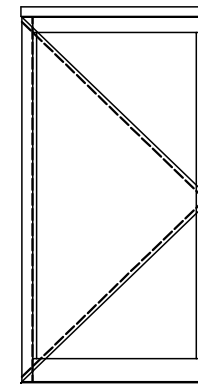
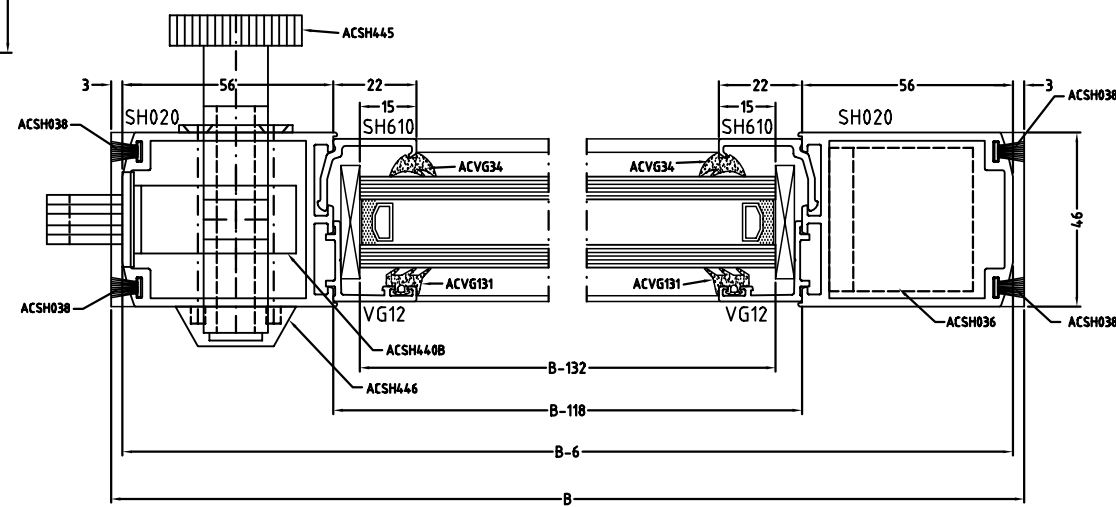
PROFILE CUTTING SCHEDULE

SH020		2		H - 23
SH027		1		B - 118
SH120		1		B - 118
SH010		1		B
SH011		1		B - 300
SH410		1		B
SH610		2		B - 118
SH610		2		H - 227
VG12		2		H - 227

ACCESSORIES

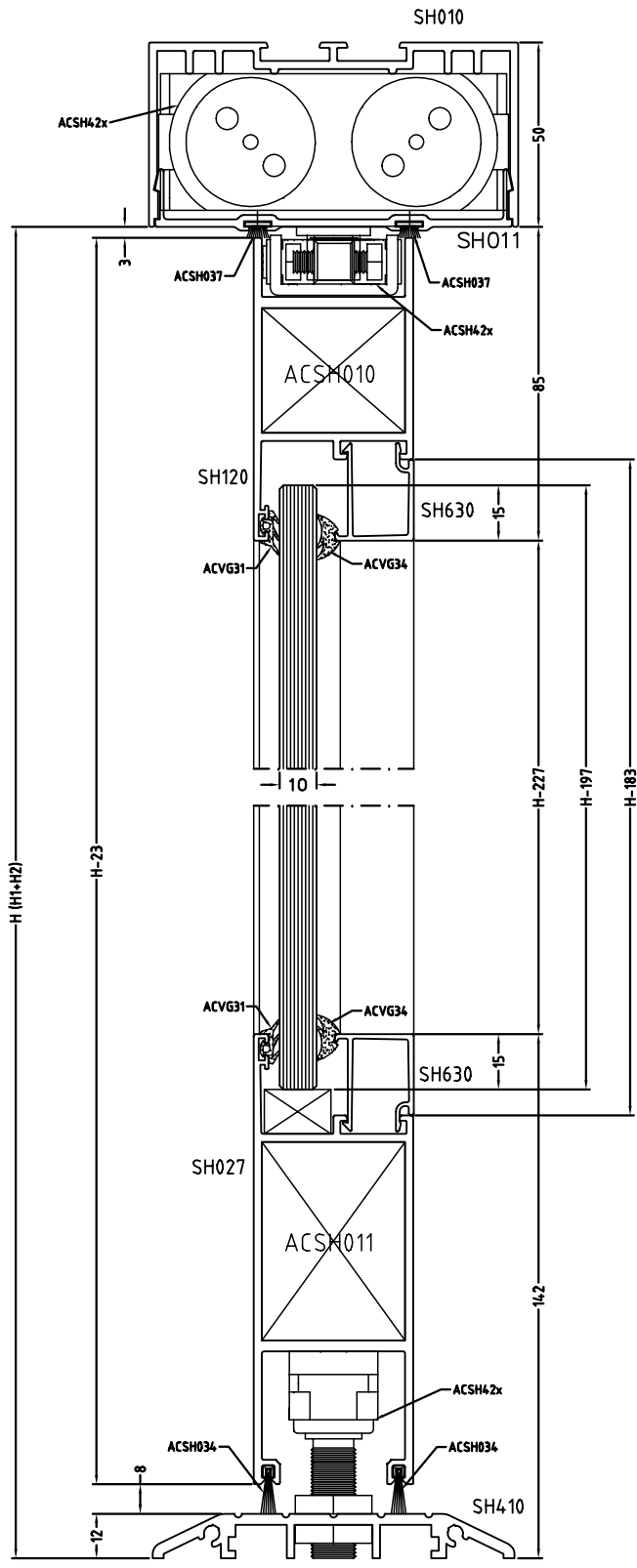
ACSH010	2
ACSH011	2
ACSH037	2B
ACSH038	4 x (H - 23)
ACSH034	2 x (B - 118)
ACSH036	2
ACVG131	2B + 2H - 600
ACVG34	2B + 2H - 600
ACSH42x	1
ACSH445	1
ACSH440B	1
ACSH446	1
ACSH419	1

GLASS SIZES	B - 132
	H - 197



SECTION

DOUBLE SWING DOOR USING SH020/SH021 WITH SH027



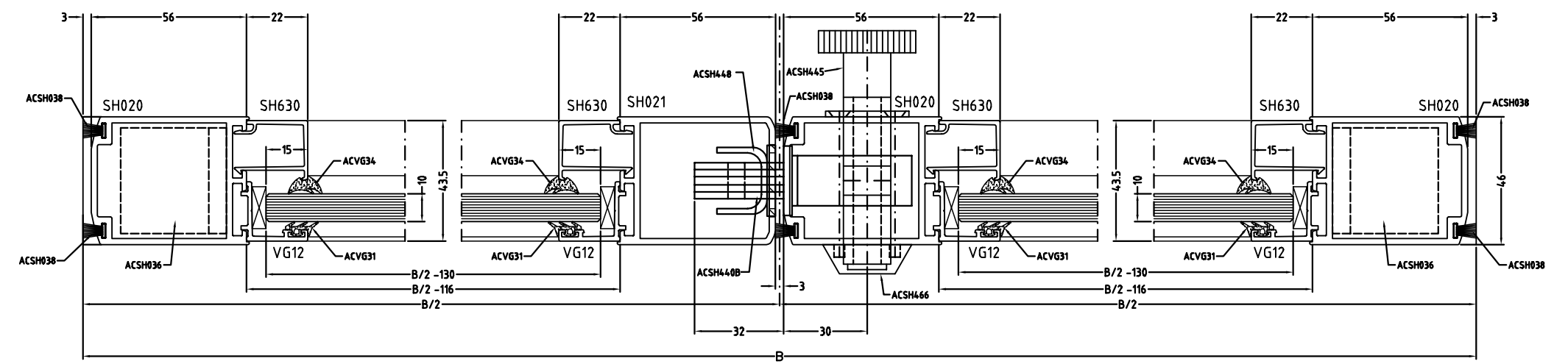
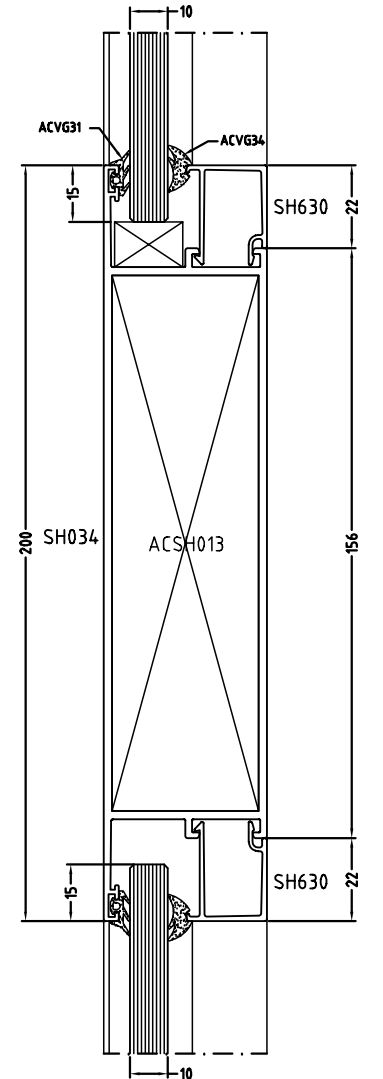
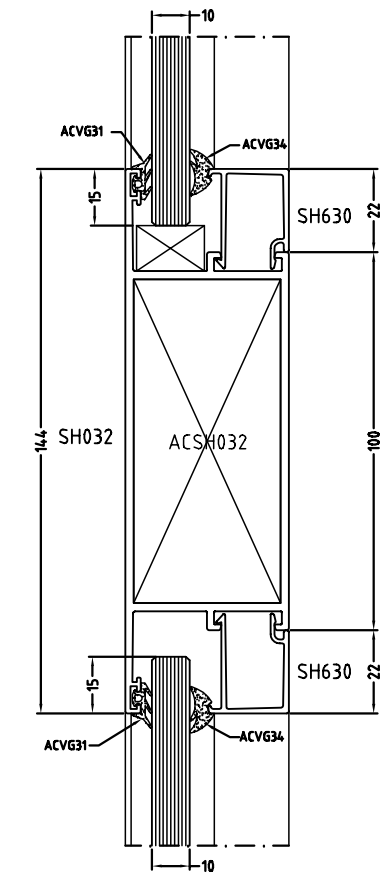
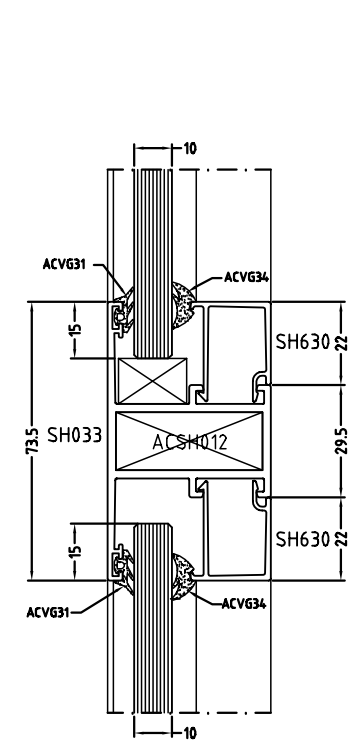
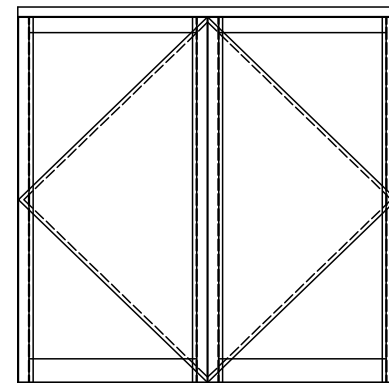
PROFILE CUTTING SCHEDULE

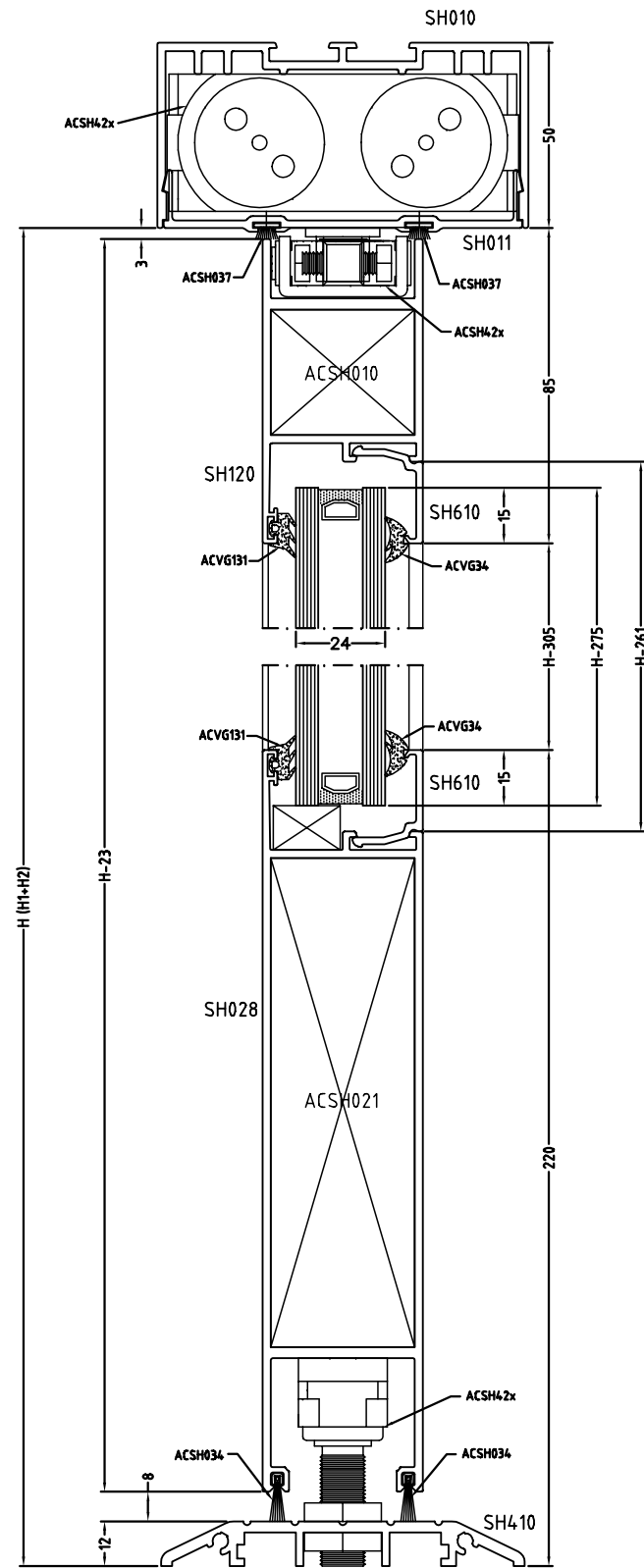
SH020		3		H - 23
SH021		1		H - 23
SH027		2		B/2 - 116
SH120		2		B/2 - 116
SH010		1		B
SH011		1		B - 600
SH410		1		B
SH630		4		B/2 - 116
SH630		4		H - 227
VG12		4		H - 227

ACCESSORIES

ACSH010	4
ACSH011	4
ACSH037	2B
ACSH038	6x (H - 23)
ACSH034	4x (B/2-116)
ACSH036	4
ACVG31	4H+2B-1200
ACVG34	4H+2B-1200
ACSH42x	2
ACSH440B	1
ACSH445	1
ACSH446	1
ACSH448	1
ACSH432	1
ACSH419	2

GLASS SIZES	2 X	B/2 - 130
		H - 197



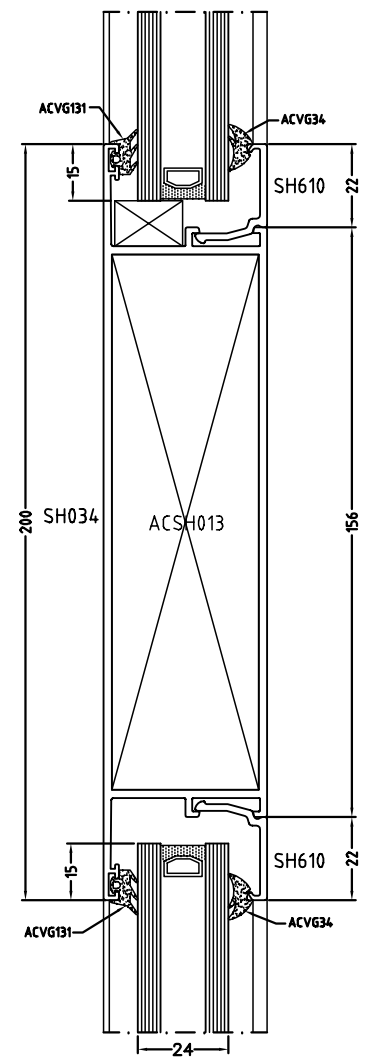
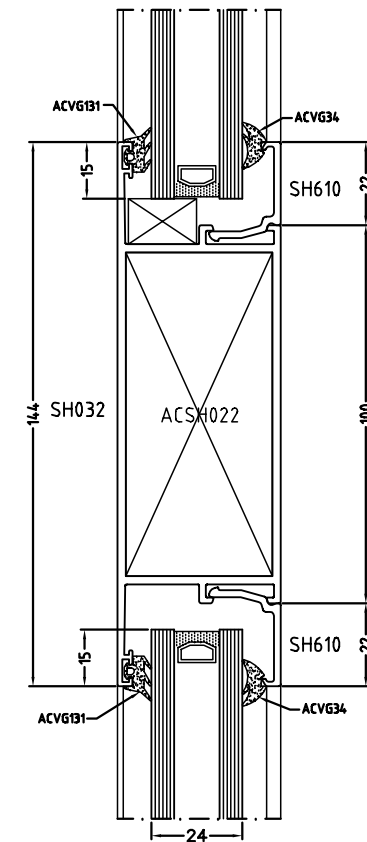
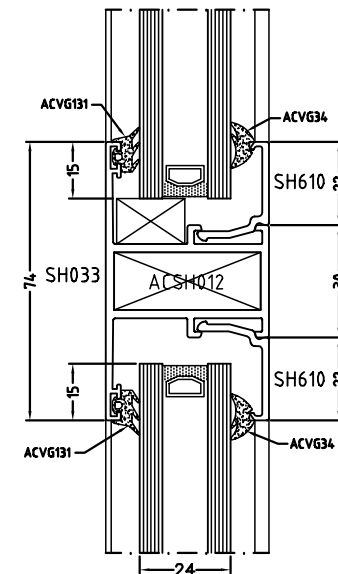
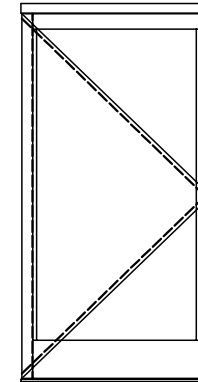
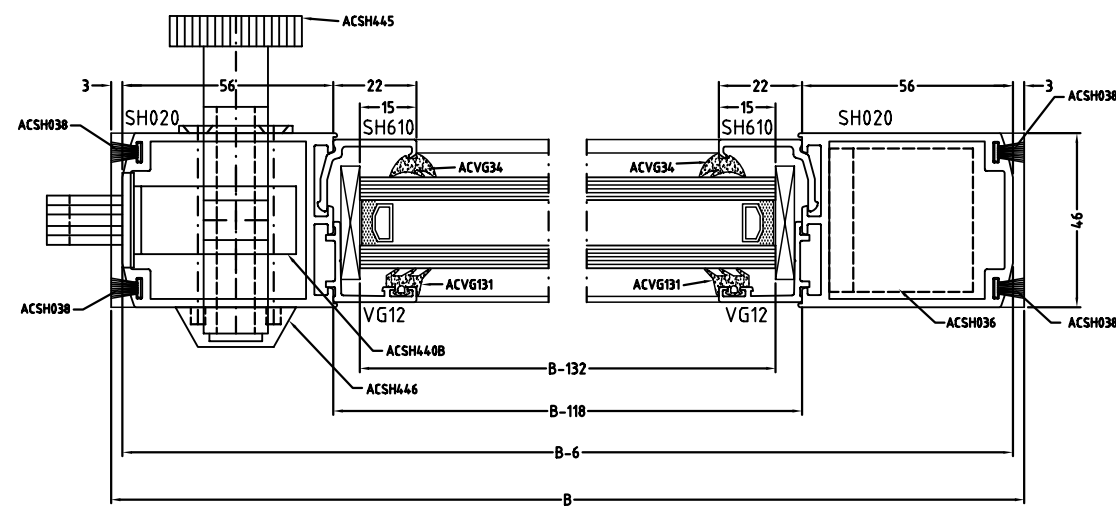
**SECTION**
**SINGLE SWING DOOR USING SH020 WITH SH028**

**PROFILE CUTTING SCHEDULE**

SH020		2		H - 23
SH028		1		B - 118
SH120		1		B - 118
SH010		1		B
SH011		1		B - 300
SH410		1		B
SH610		2		B - 118
SH610		2		H - 227
VG12		2		H - 227

**ACCESSORIES**

ACSH010	2
ACSH021	2
ACSH037	2B
ACSH038	4 x (H - 23)
ACSH034	2 x (B - 118)
ACSH036	2
ACVG131	2B + 2H - 760
ACVG34	2B + 2H - 760
ACSH42x	1
ACSH445	1
ACSH440B	1
ACSH446	1
ACSH419	1

GLASS SIZES	B - 132
	H - 275



SECTION

DOUBLE SWING DOOR USING SH020/SH021 WITH SH028

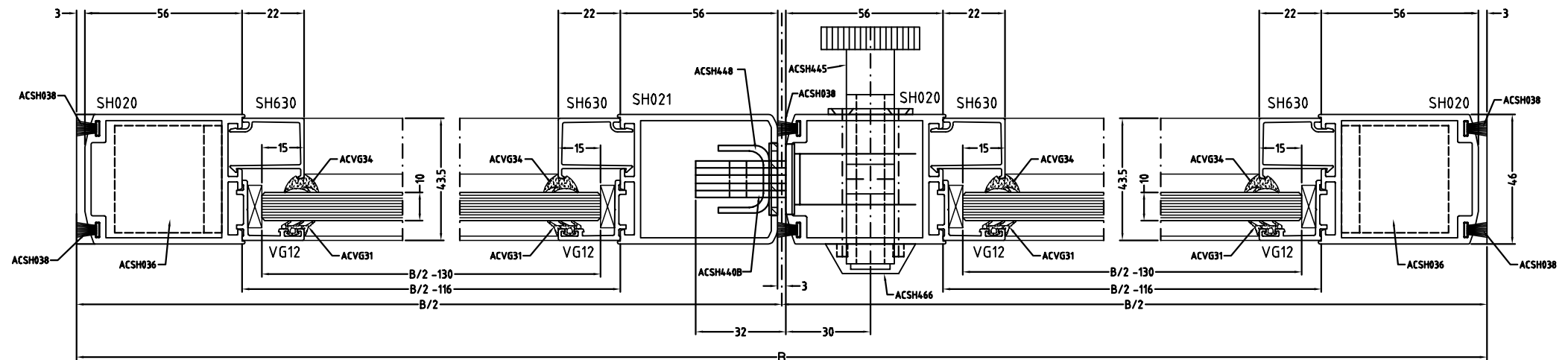
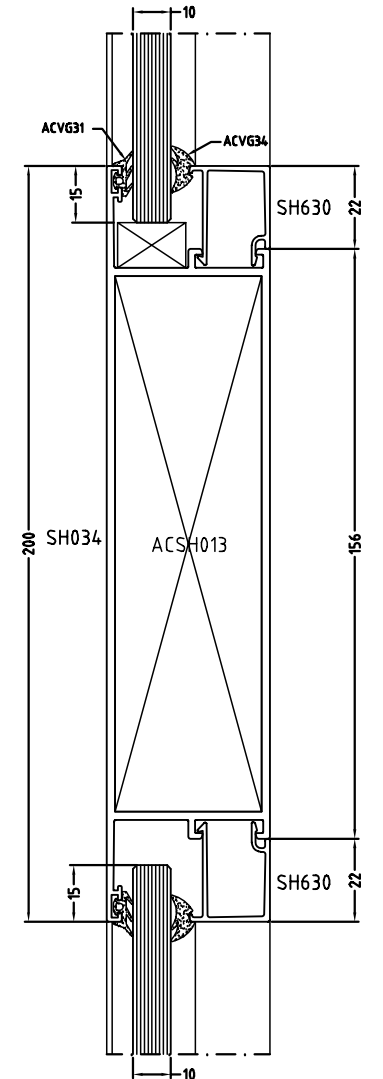
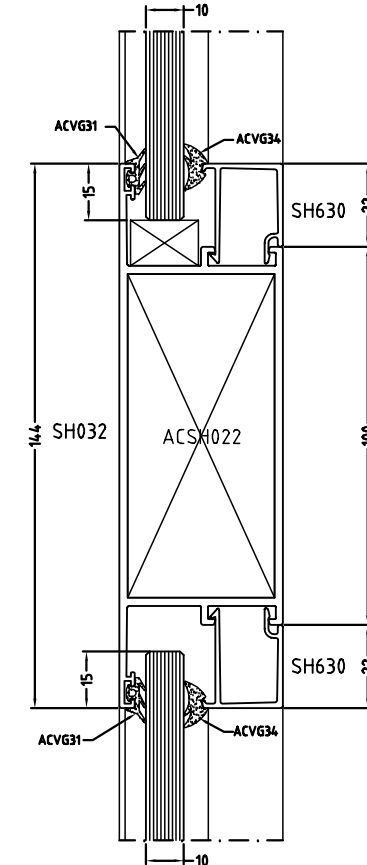
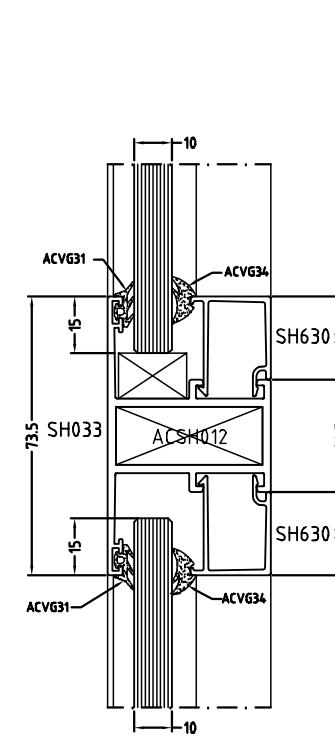
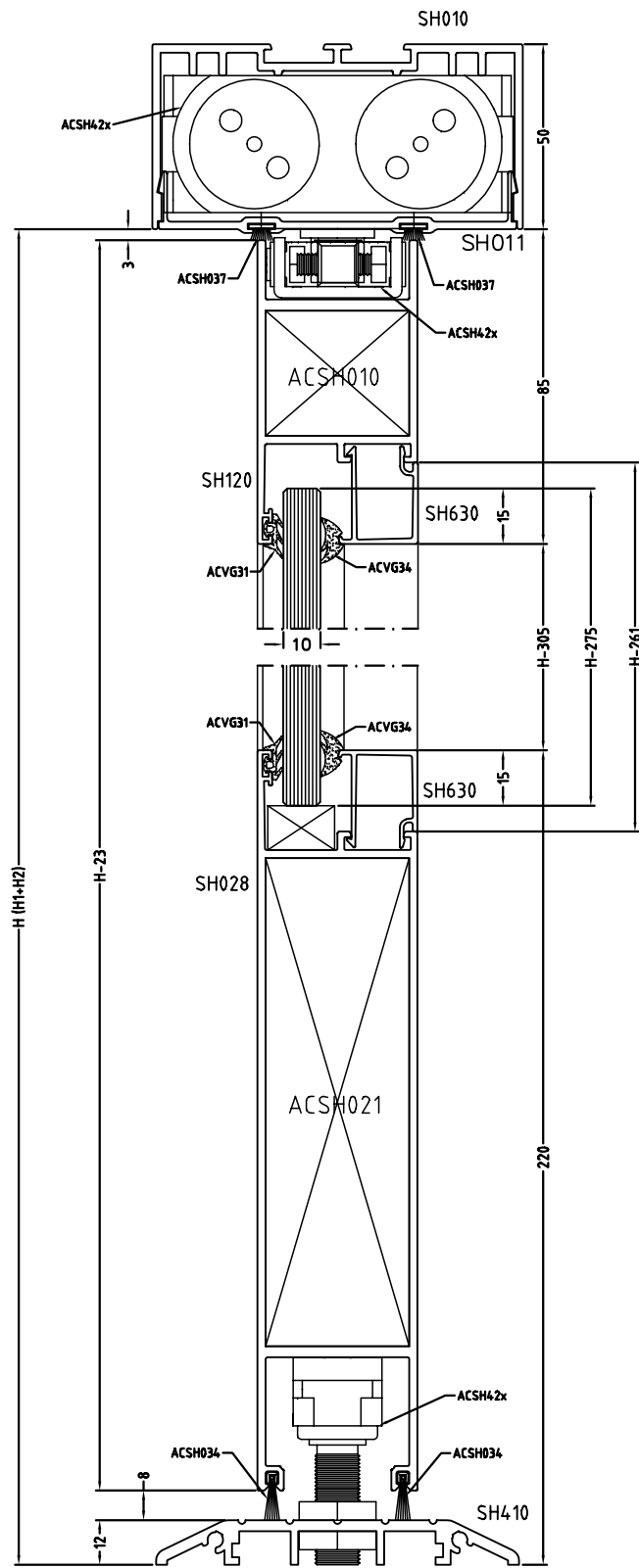
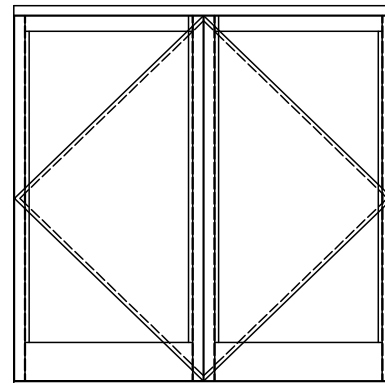
PROFILE CUTTING SCHEDULE

SH020	[Profile]	3	[Profile]	H - 23
SH021	[Profile]	1	[Profile]	H - 23
SH028	[Profile]	2	[Profile]	B/2 - 116
SH120	[Profile]	2	[Profile]	B/2 - 116
SH010	[Profile]	1	[Profile]	B
SH011	[Profile]	1	[Profile]	B - 600
SH410	[Profile]	1	[Profile]	B
SH630	[Profile]	4	[Profile]	B/2 - 116
SH630	[Profile]	4	[Profile]	H - 305
VG12	[Profile]	4	[Profile]	H - 305

ACCESSORIES

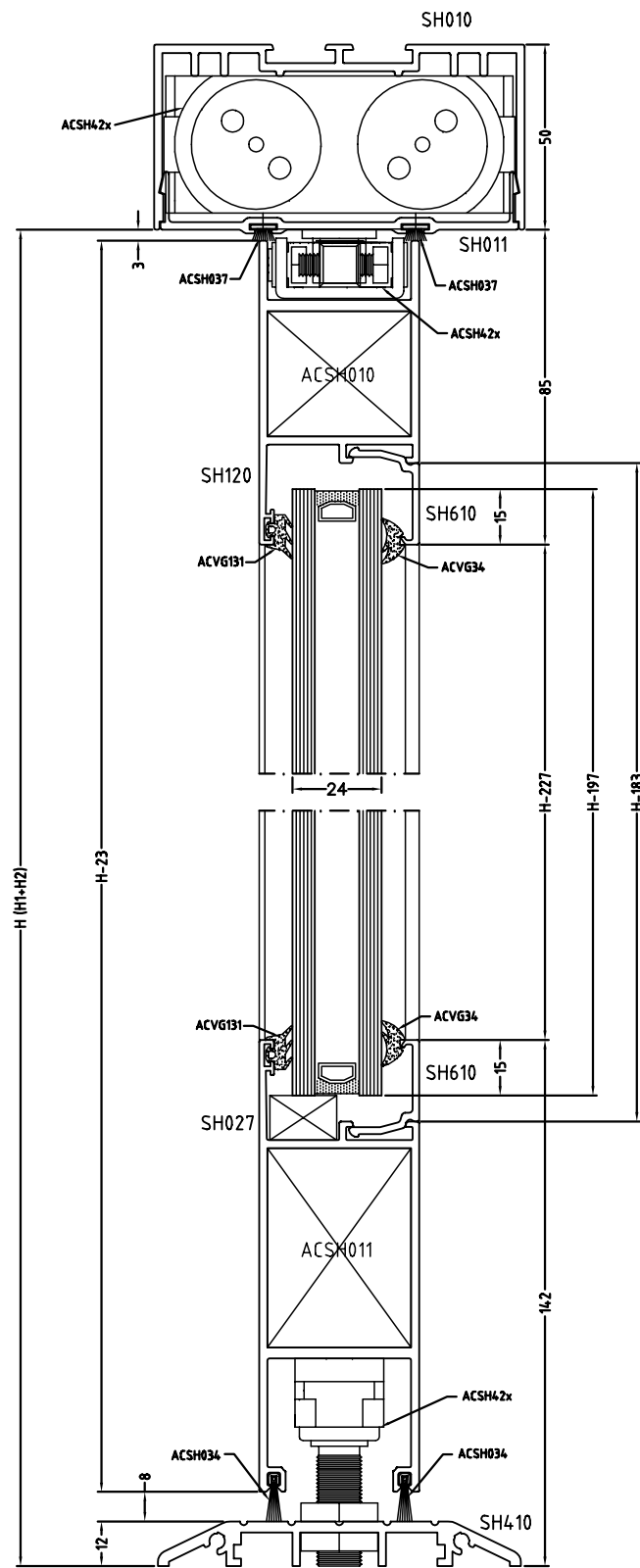
ACSH010	4
ACSH021	4
ACVL033	2B
ACSH033	6x (H - 23)
ACSH034	4x (B/2 - 116)
ACSH036	4
ACVG31	4H + 2B - 1510
ACVG34	4H + 2B - 1510
ACSH42x	2
ACSH440B	1
ACSH445	1
ACSH446	1
ACSH448	1
ACSH432	1
ACSH419	2

GLASS SIZES	2 X	B/2 - 130
		H - 275



SECTION

SINGLE SWING DOOR USING SH039 WITH SH027



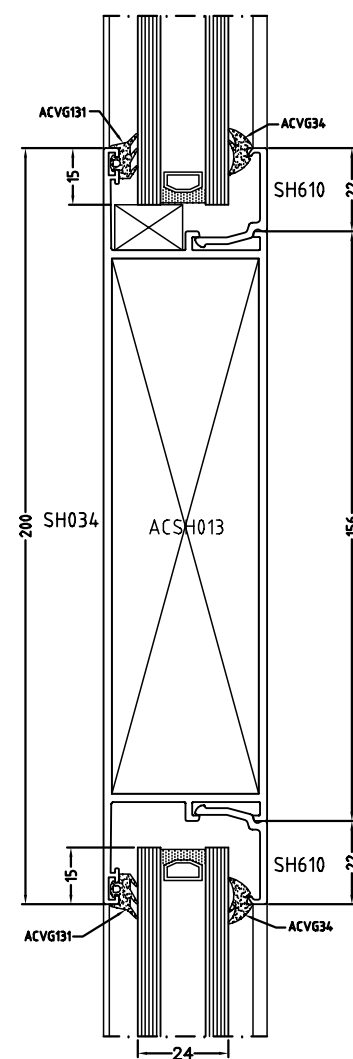
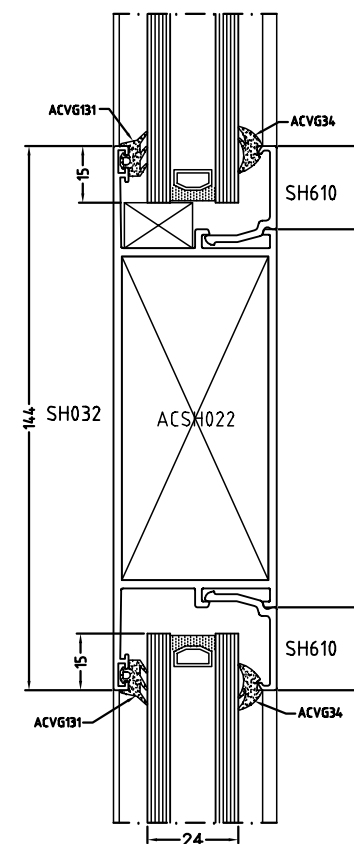
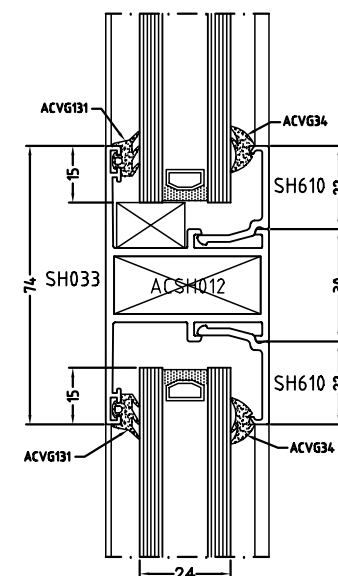
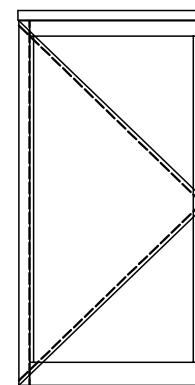
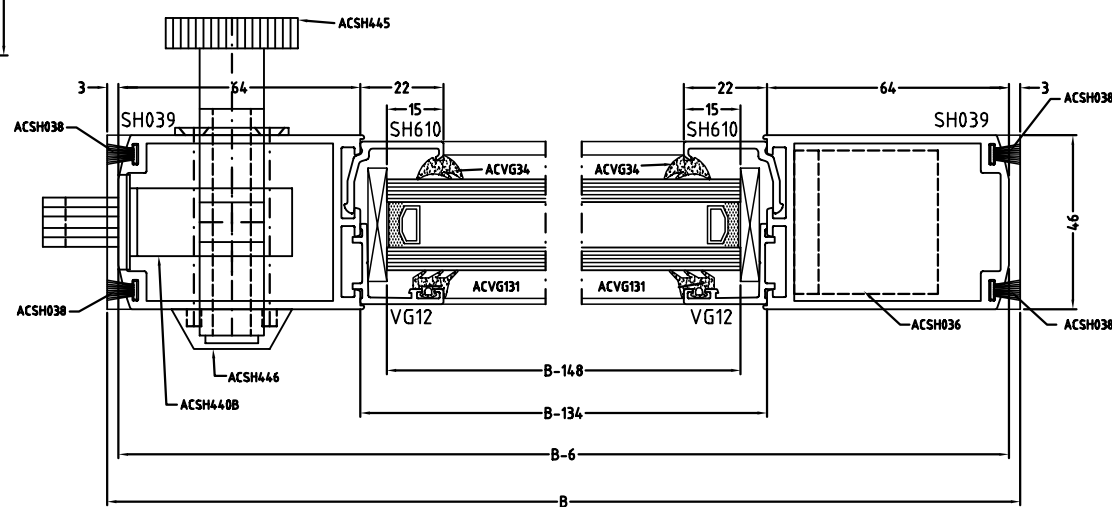
PROFILE CUTTING SCHEDULE

SH039		2		H - 23
SH027		1		B - 134
SH120		1		B - 134
SH010		1		B
SH011		1		B - 300
SH410		1		B
SH610		2		B - 134
SH610		2		H - 227
VG12		2		H - 227

ACCESSORIES

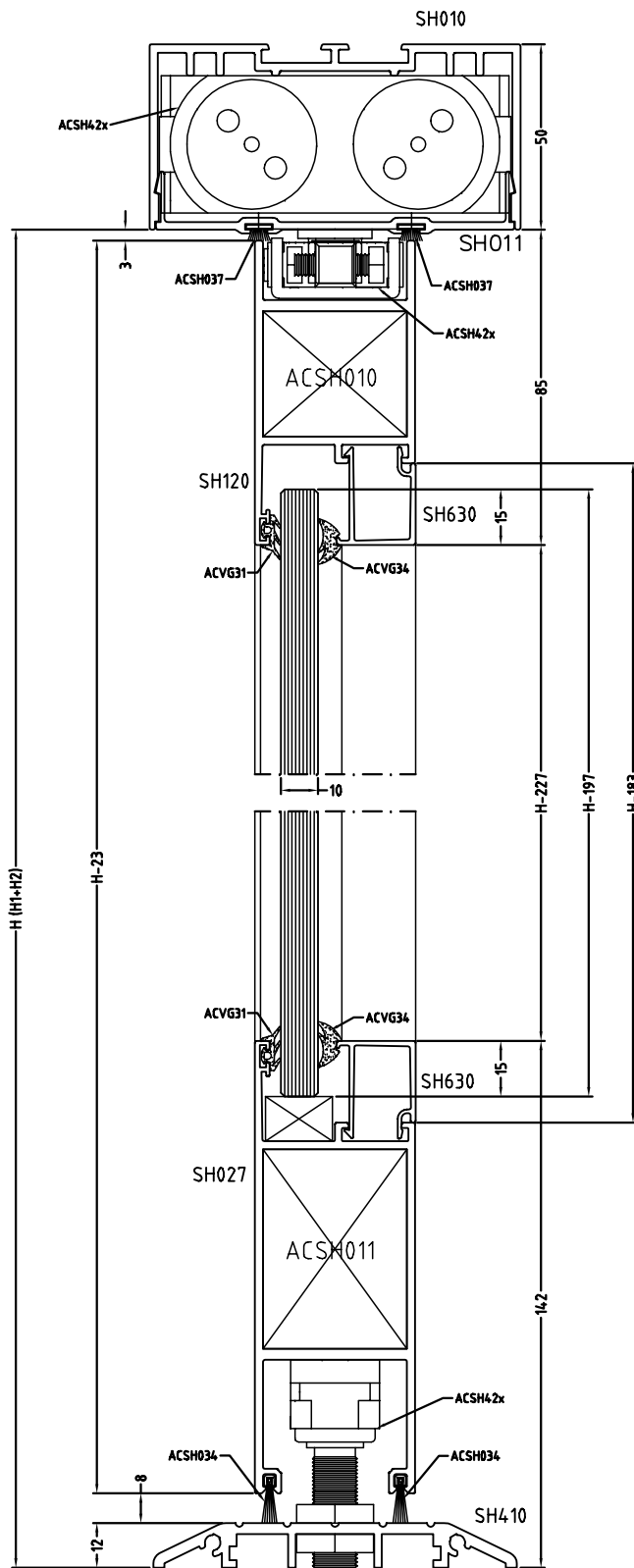
ACSH010	2
ACSH011	2
ACSH037	2B
ACSH038	4 x (H - 23)
ACSH034	2 x (B - 134)
ACSH036	2
ACVG131	2B + 2H - 640
ACVG34	2B + 2H - 640
ACSH42x	1
ACSH445	1
ACSH440B	1
ACSH446	1
ACSH419	1

GLASS SIZES	B - 148
	H - 197



SECTION

DOUBLE SWING DOOR USING SH039/SH040 WITH SH027



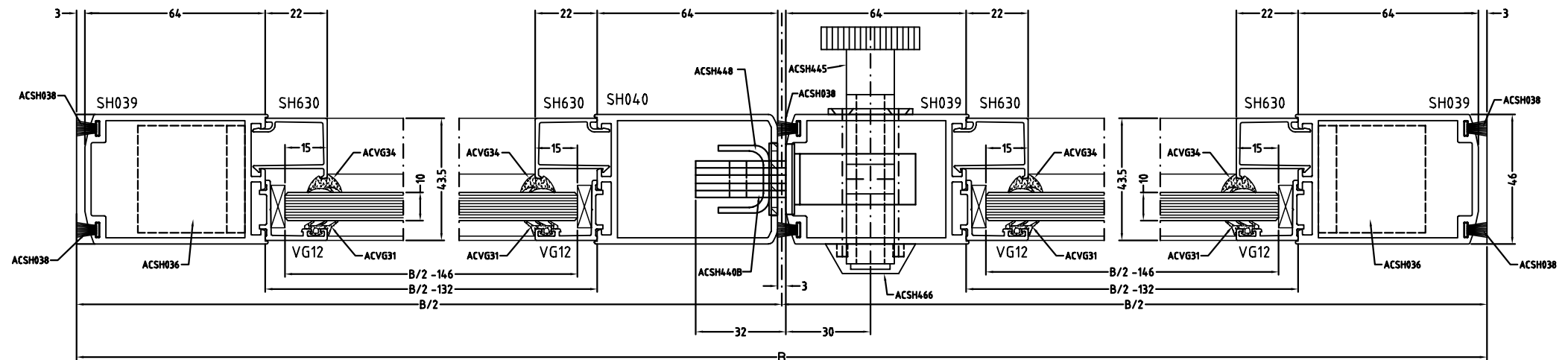
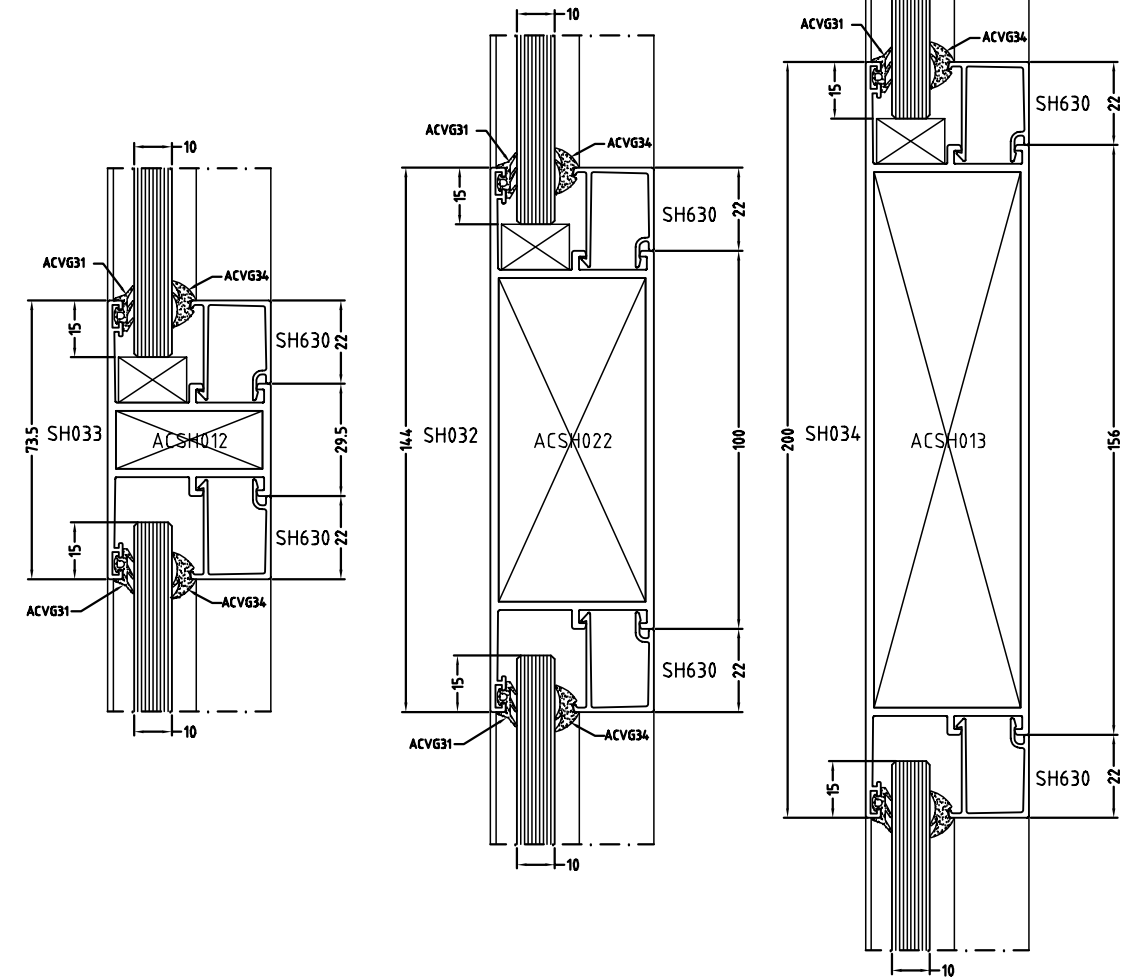
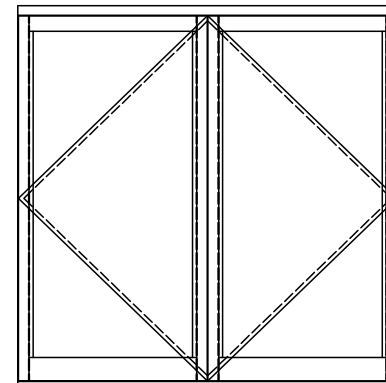
PROFILE CUTTING SCHEDULE

SH039		3		H - 23
SH040		1		H - 23
SH027		2		B/2 - 132
SH120		2		B/2 - 132
SH010		1		B
SH011		1		B - 600
SH410		1		B
SH630		4		B/2 - 132
SH630		4		H - 227
VG12		4		H - 227

ACCESSORIES

ACSH010	4
ACSH011	4
ACSH037	2B
ACSH038	6x (H - 23)
ACSH034	4x (B/2 - 132)
ACSH036	4
ACVG31	4H + 2B - 1260
ACVG34	4H + 2B - 1260
ACSH42x	2
ACSH440B	1
ACSH445	1
ACSH446	1
ACSH448	1
ACSH432	1
ACSH419	2

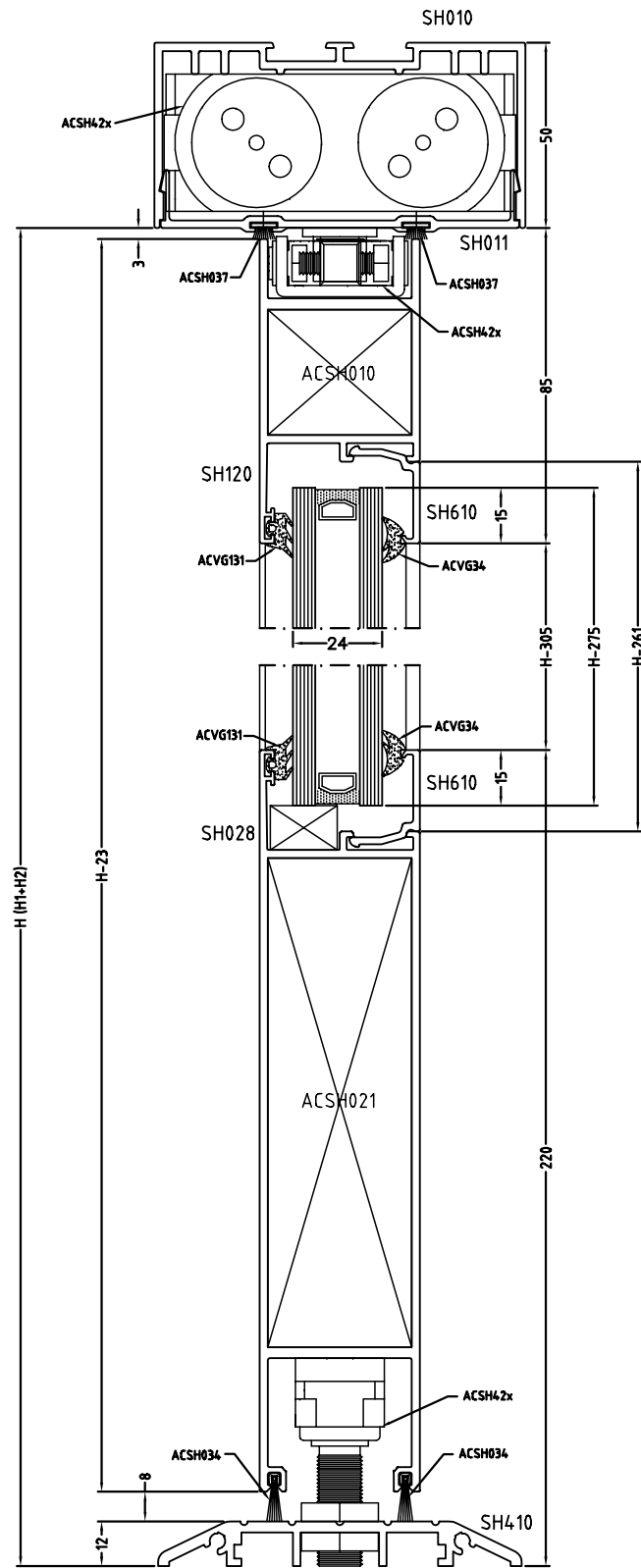
GLASS SIZES	B/2 - 146
	H - 197





SECTION

SINGLE SWING DOOR USING SH039 WITH SH028



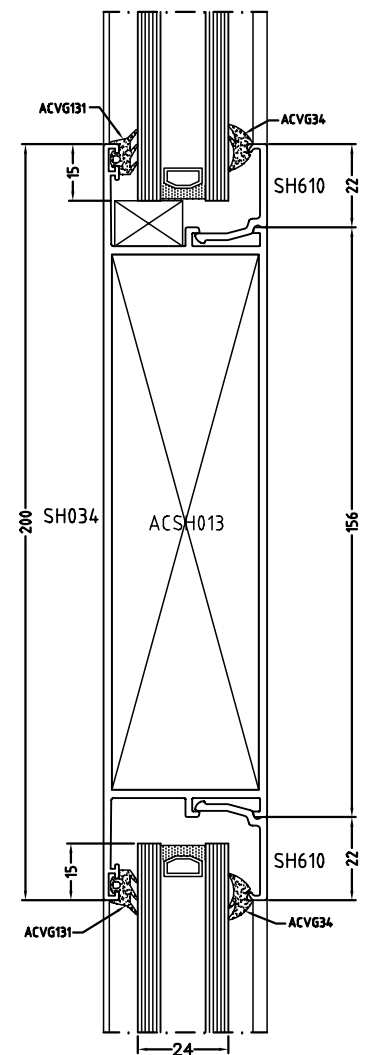
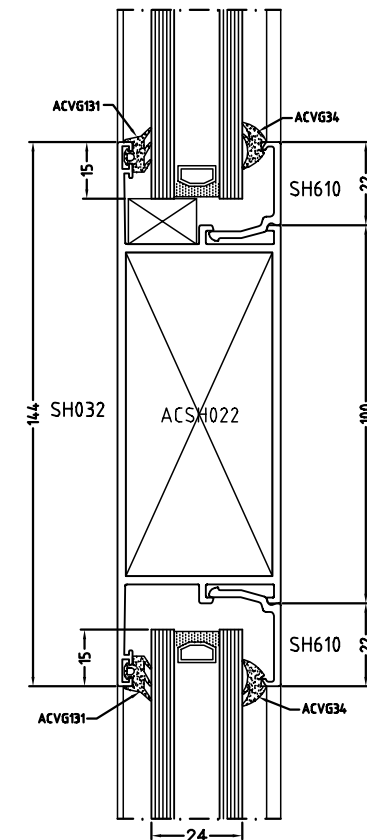
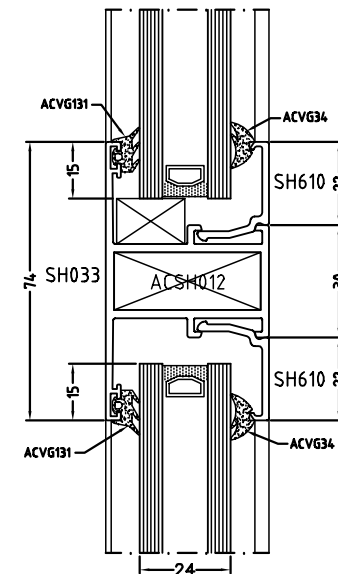
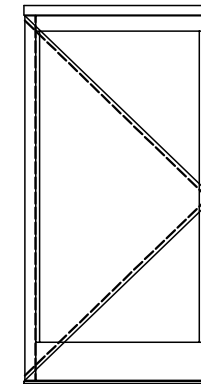
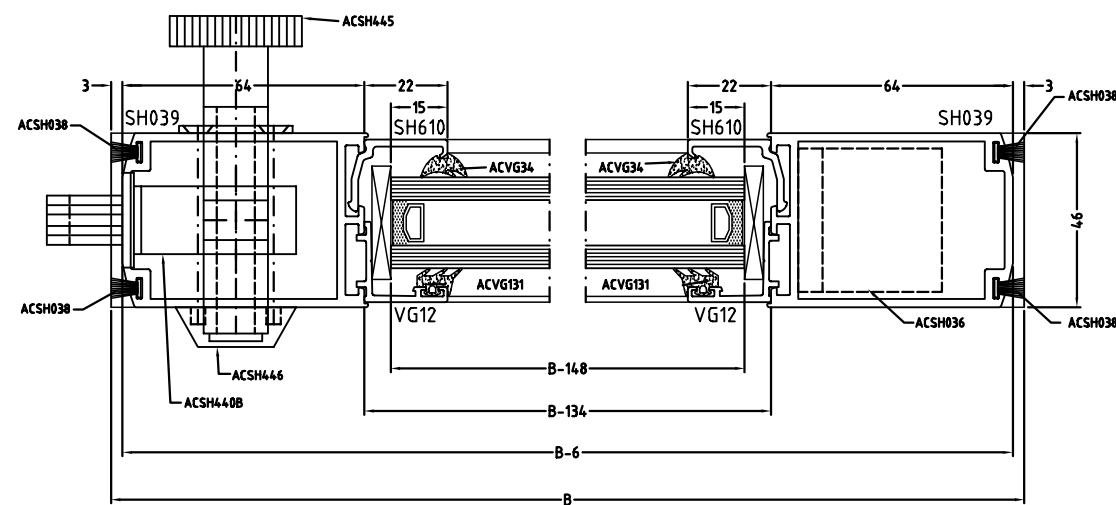
PROFILE CUTTING SCHEDULE

SH039		2		H - 23
SH028		1		B - 134
SH120		1		B - 134
SH010		1		B
SH011		1		B - 300
SH410		1		B
SH610		2		B - 134
SH610		2		H - 305
VG12		2		H - 305

ACCESSORIES

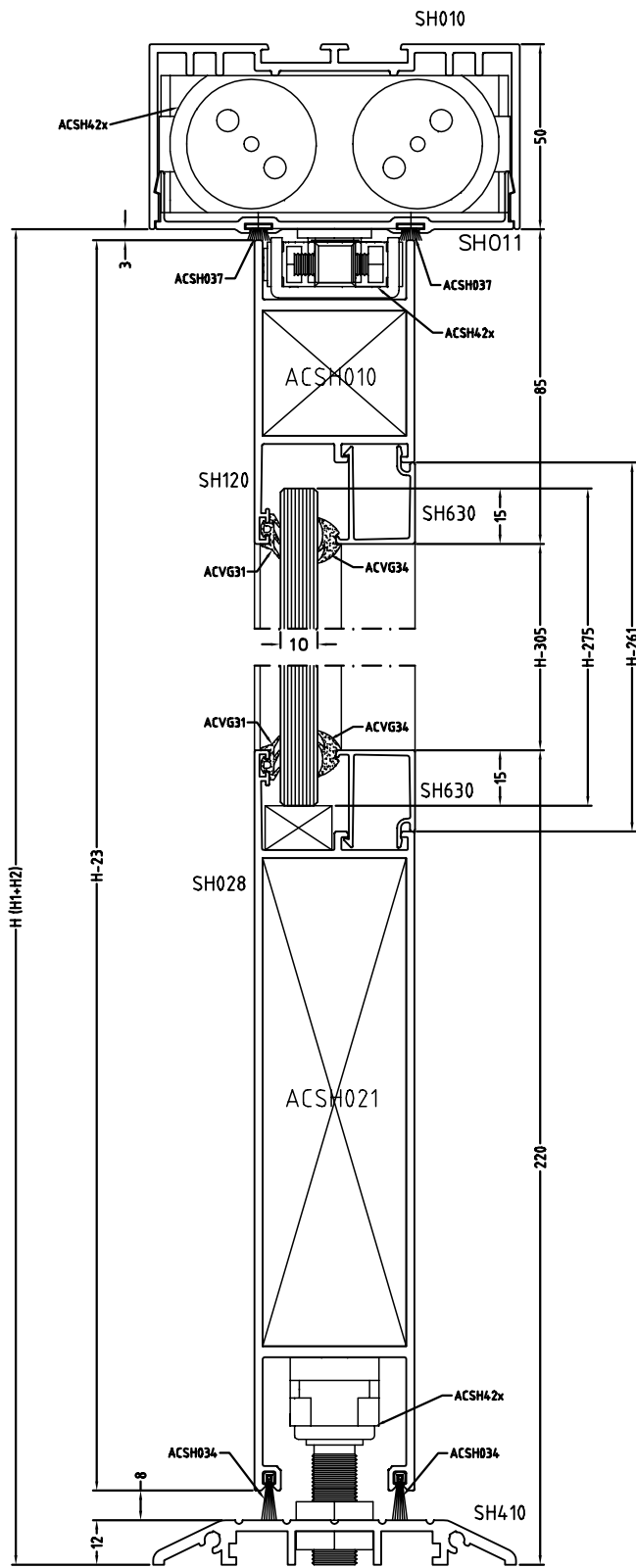
ACSH010	2
ACSH021	2
ACSH037	2B
ACSH038	4 x (H - 23)
ACSH034	2 x (B - 134)
ACSH036	2
ACVG131	2B + 2H - 790
ACVG34	2B + 2H - 790
ACSH42x	1
ACSH445	1
ACSH440B	1
ACSH446	1
ACSH419	1

GLASS SIZES	B - 148
	H - 275



SECTION

DOUBLE SWING DOOR USING SH039/SH040 WITH SH028



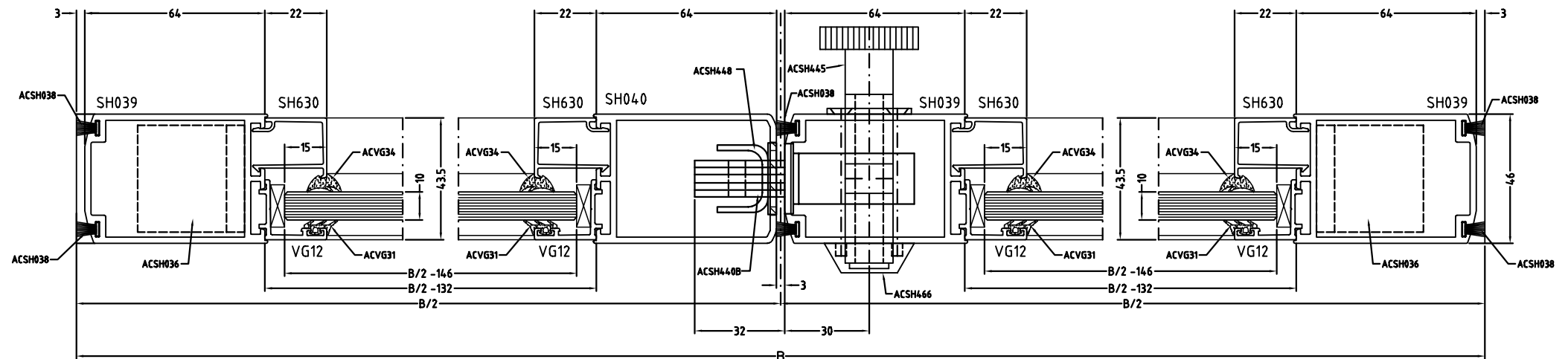
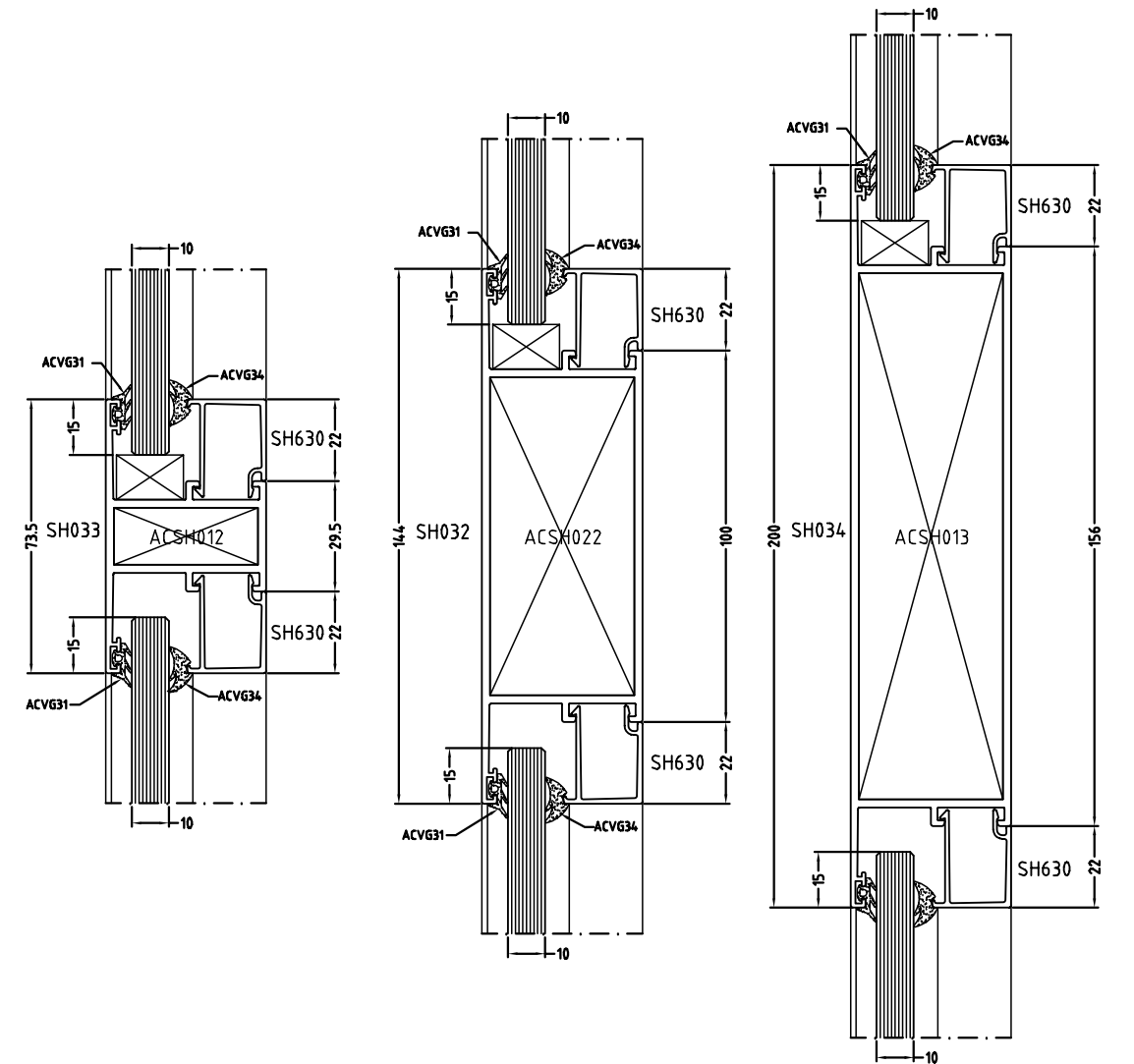
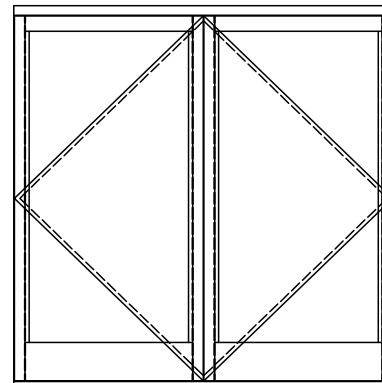
PROFILE CUTTING SCHEDULE

SH039		3		H - 23
SH040		1		H - 23
SH028		2		B/2 - 132
SH120		2		B/2 - 132
SH010		1		B
SH011		1		B - 600
SH410		1		B
SH630		4		B/2 - 132
SH630		4		H - 305
VG12		4		H - 305

ACCESSORIES

AC SH010	4
AC SH021	4
AC SH037	2B
AC SH038	6x (H - 23)
AC SH034	4x (B/2-132)
AC SH036	4
AC VG31	4H+2B-1580
AC VG34	4H+2B-1580
AC SH42x	2
AC SH440B	1
AC SH445	1
AC SH446	1
AC SH448	1
AC SH432	1
AC SH419	2

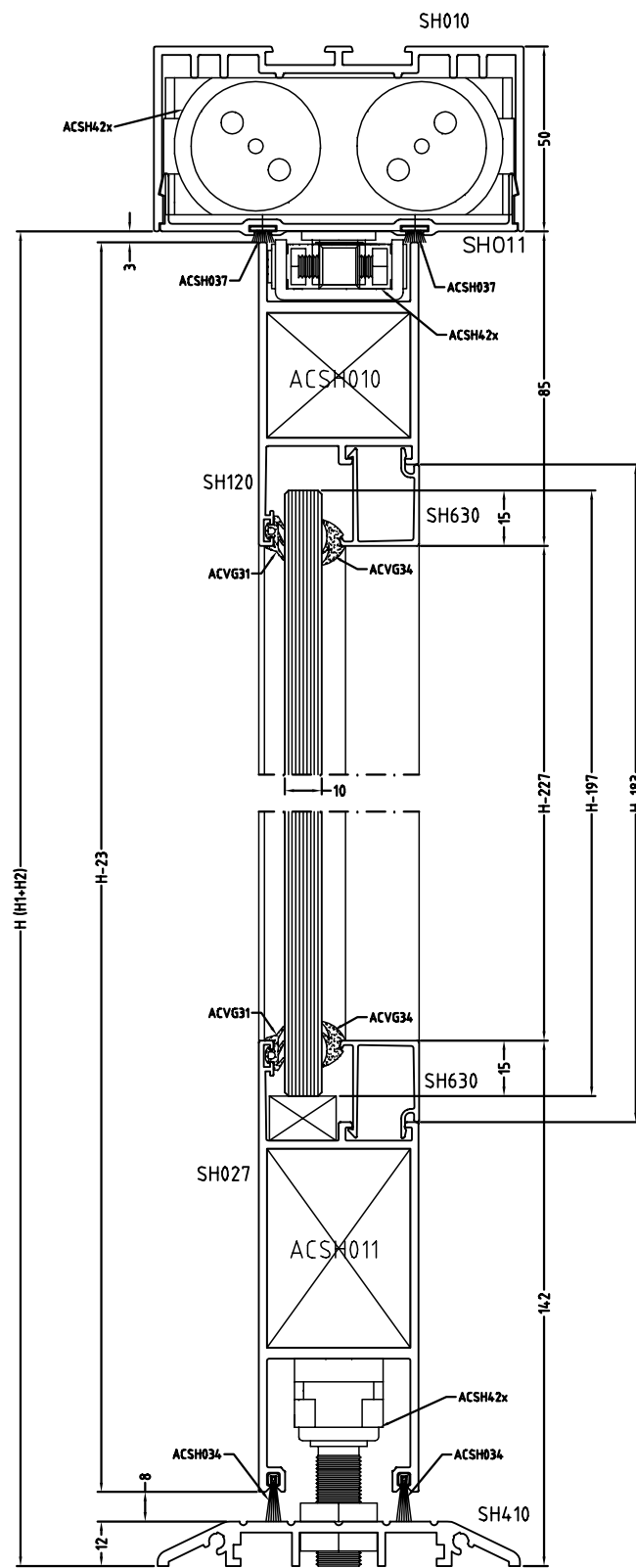
GLASS SIZES	2 X	B/2 - 146
		H - 275





SECTION

DOUBLE SWING DOOR USING SH038/SH039 WITH SH027

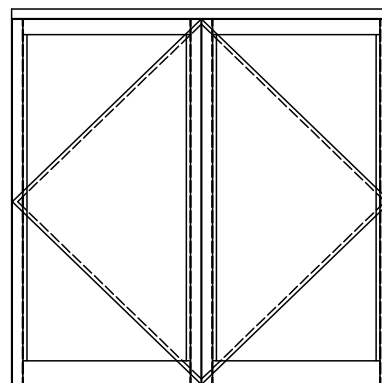


PROFILE CUTTING SCHEDULE

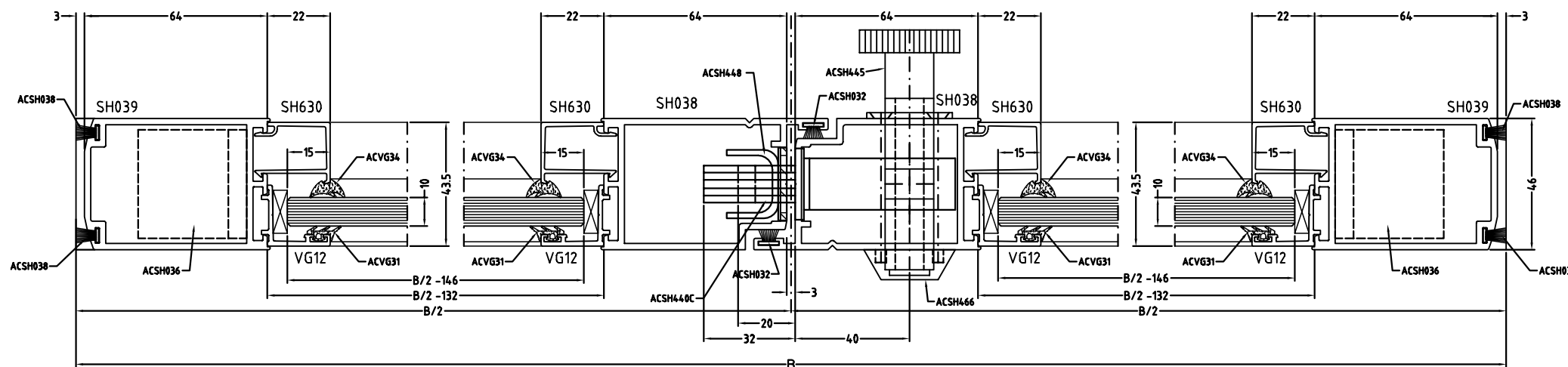
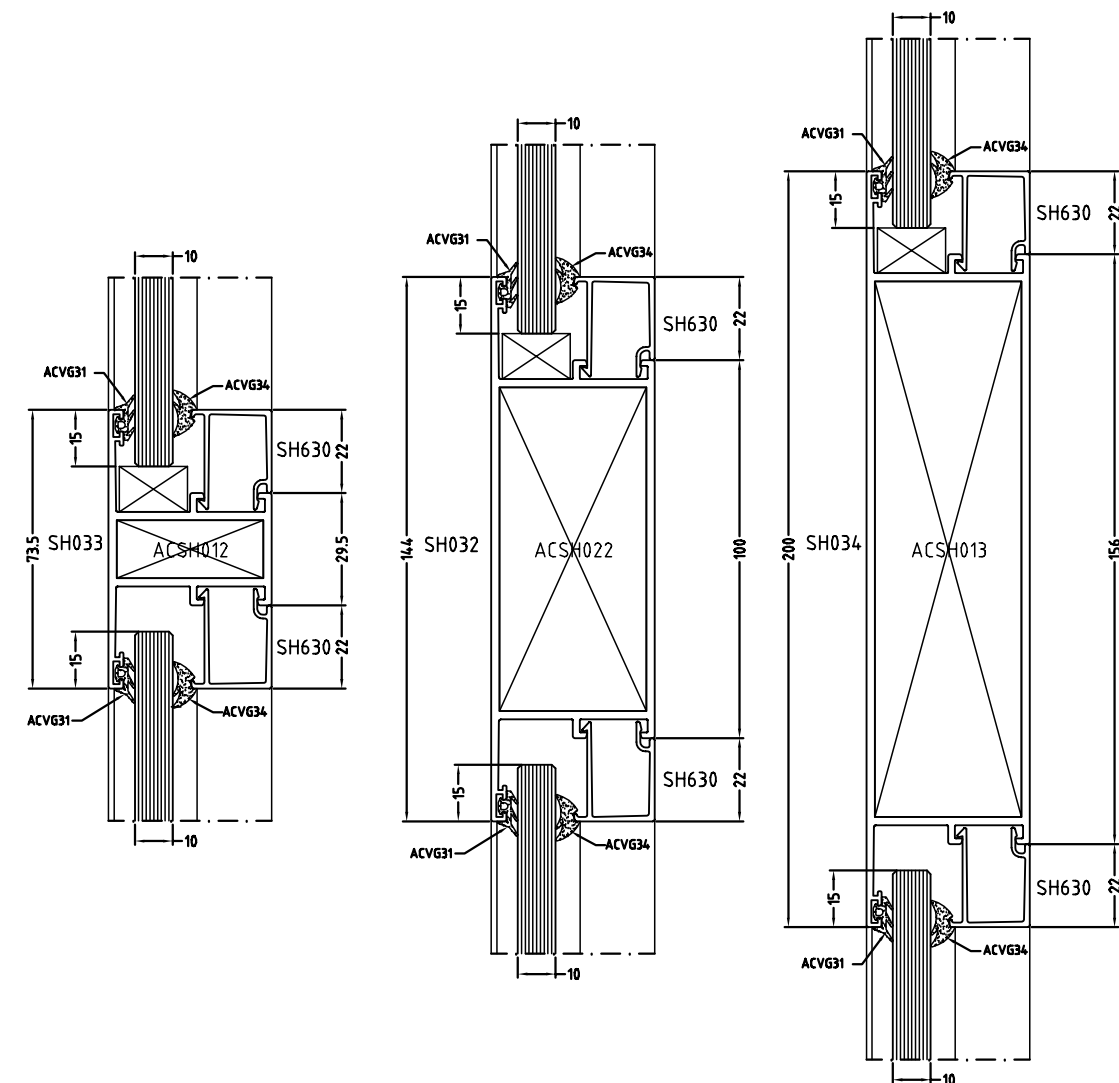
SH038		2		H - 23
SH039		2		H - 23
SH027		2		B/2 - 132
SH120		2		B/2 - 132
SH010		1		B
SH011		1		B - 600
SH410		1		B
SH630		4		B/2 - 132
SH630		4		H - 227
VG12		4		H - 227

ACCESSORIES

ACSH010	4
ACSH011	4
ACSH037	2B
ACSH038	4x (H - 23)
ACSH032	2x (H - 23)
ACSH034	4x (B/2 - 132)
ACSH036	4
ACV631	4H + 2B - 1260
ACV634	4H + 2B - 1260
ACSH42x	2
ACSH440C	1
ACSH445	1
ACSH446	1
ACSH448	1
ACSH419	2
ACSH432	1

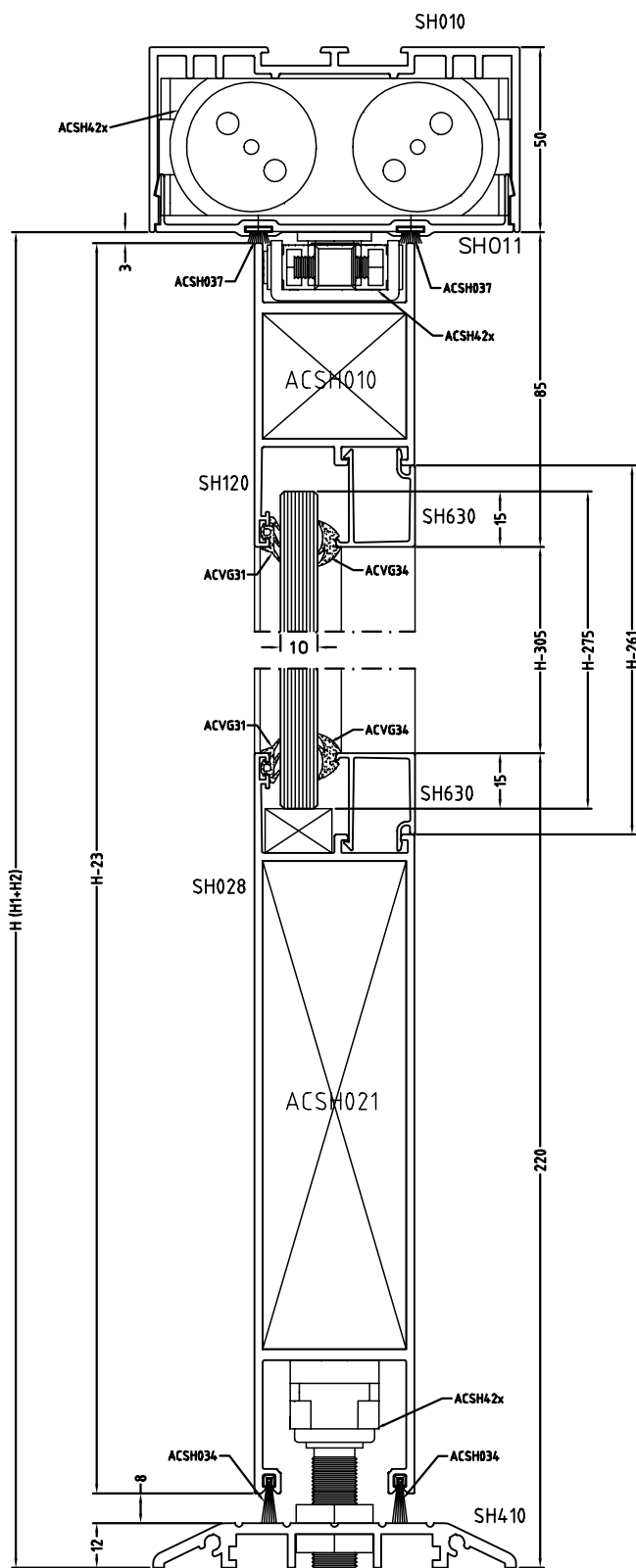


GLASS SIZES	2 X	B/2 - 146
		H - 197



SECTION

DOUBLE SWING DOOR USING SH038/SH039 WITH SH028



PROFILE CUTTING SCHEDULE

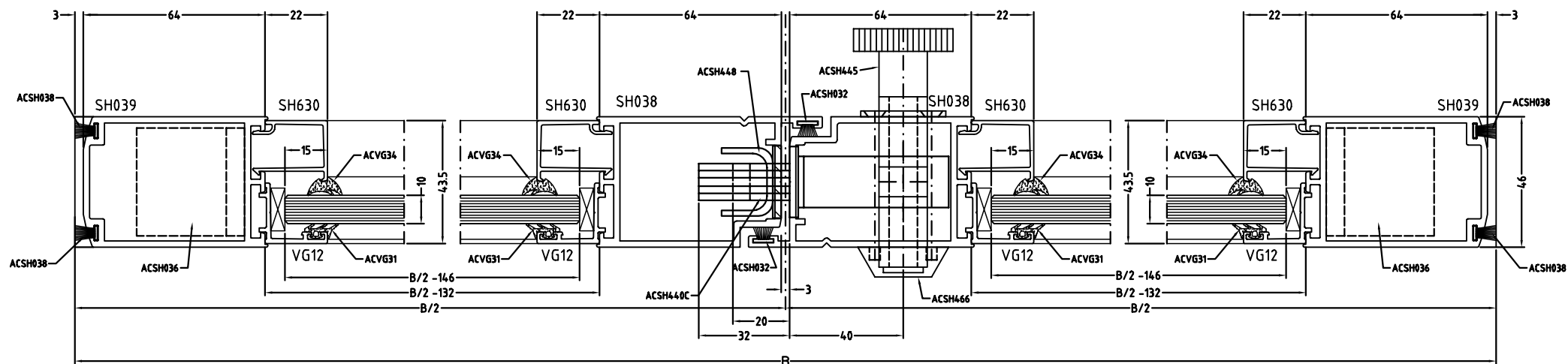
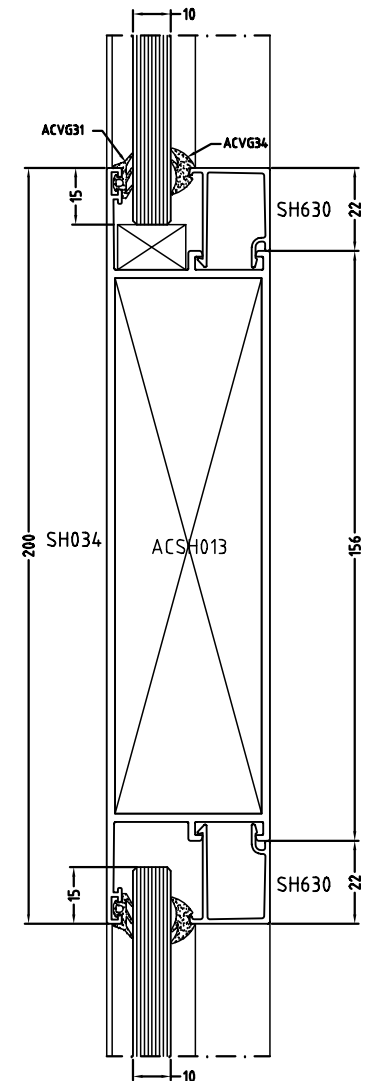
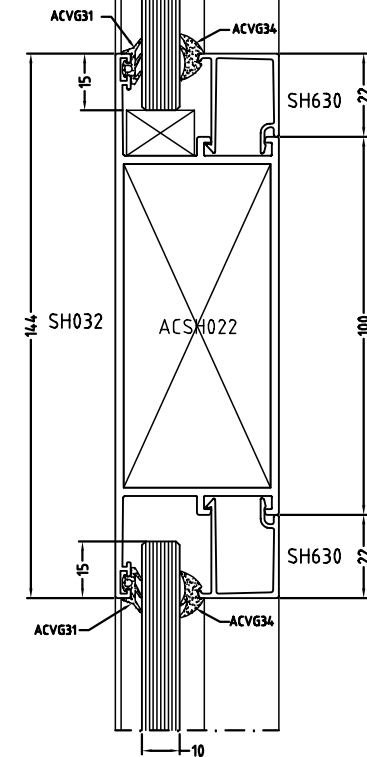
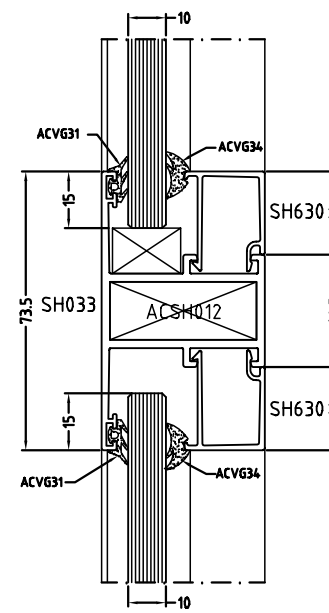
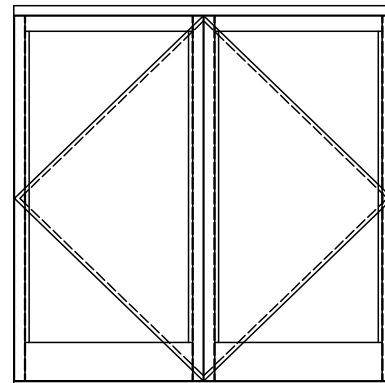
SH038		2		H - 23
SH039		2		H - 23
SH028		2		B/2 - 132
SH120		2		B/2 - 132
SH010		1		B
SH011		1		B - 600
SH410		1		B
SH630		4		B/2 - 132
SH630		4		H - 305
VG12		4		H - 305

ACCESSORIES

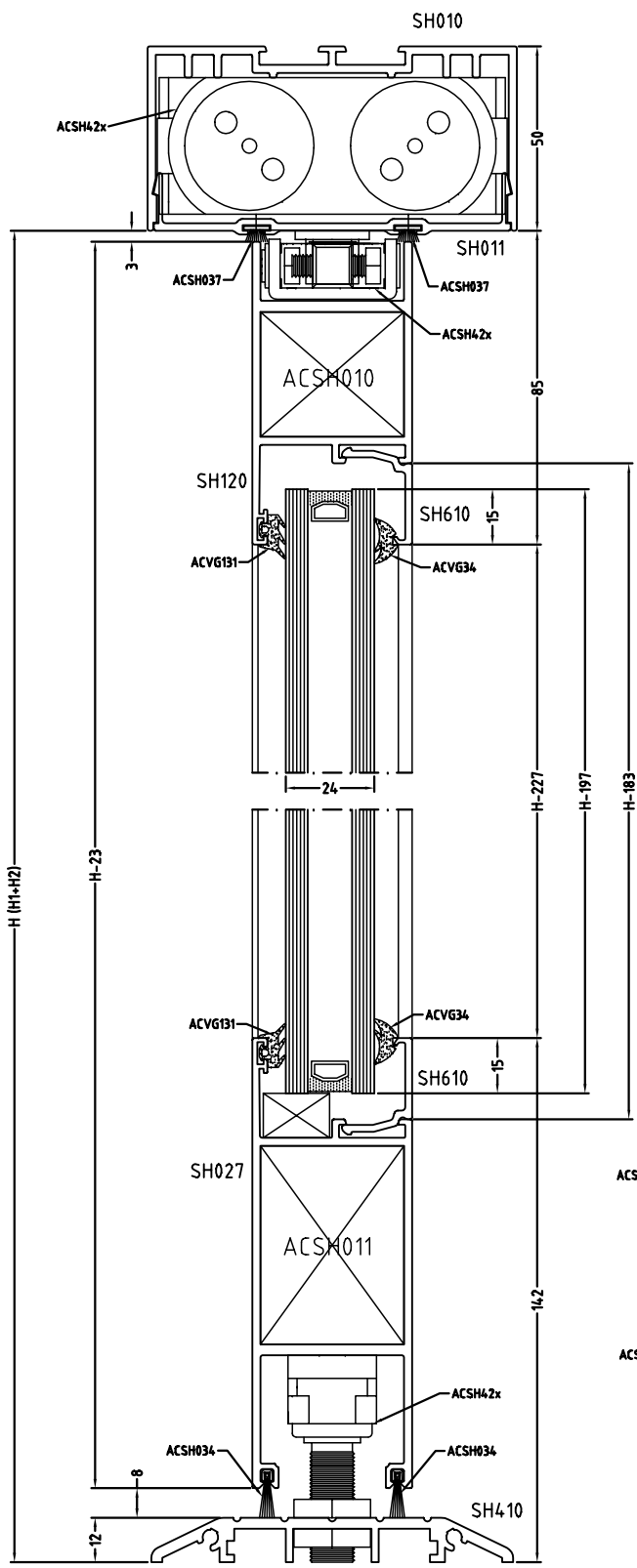
ACSH010	4
ACSH011	4
ACSH037	2B
ACSH038	4x (H - 23)
ACSH032	2x (H - 23)
ACSH034	4x (B/2 - 132)
ACSH036	4
ACVG31	4H + 2B - 1580
ACVG34	4H + 2B - 1580
ACSH42x	2
ACSH440C	1
ACSH445	1
ACSH446	1
ACSH448	1
ACSH419	2
ACSH432	1

GLASS SIZES

2 X	B/2 - 146
	H - 275



**SECTION**  
**SINGLE SWING DOOR USING SH025 WITH SH027**



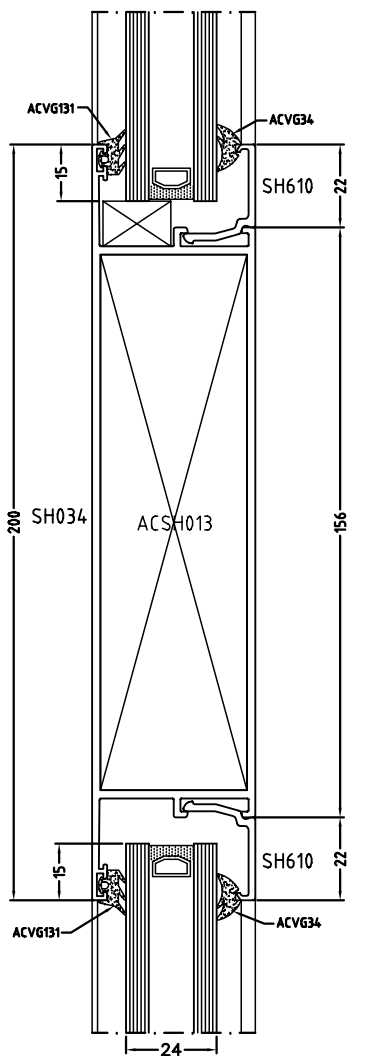
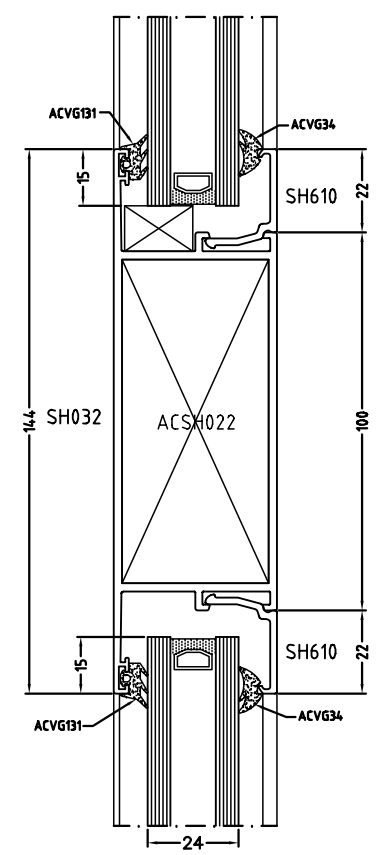
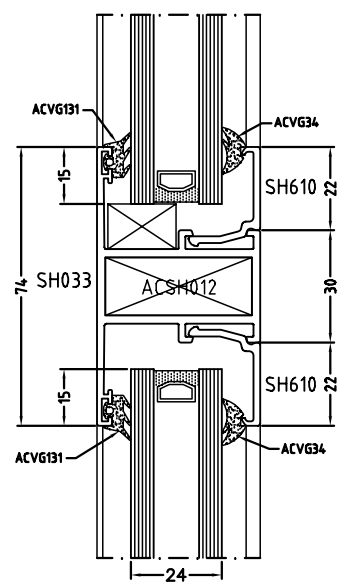
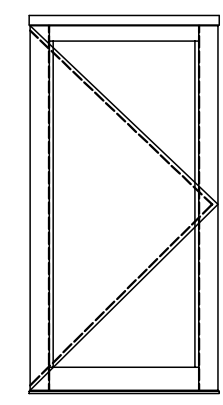
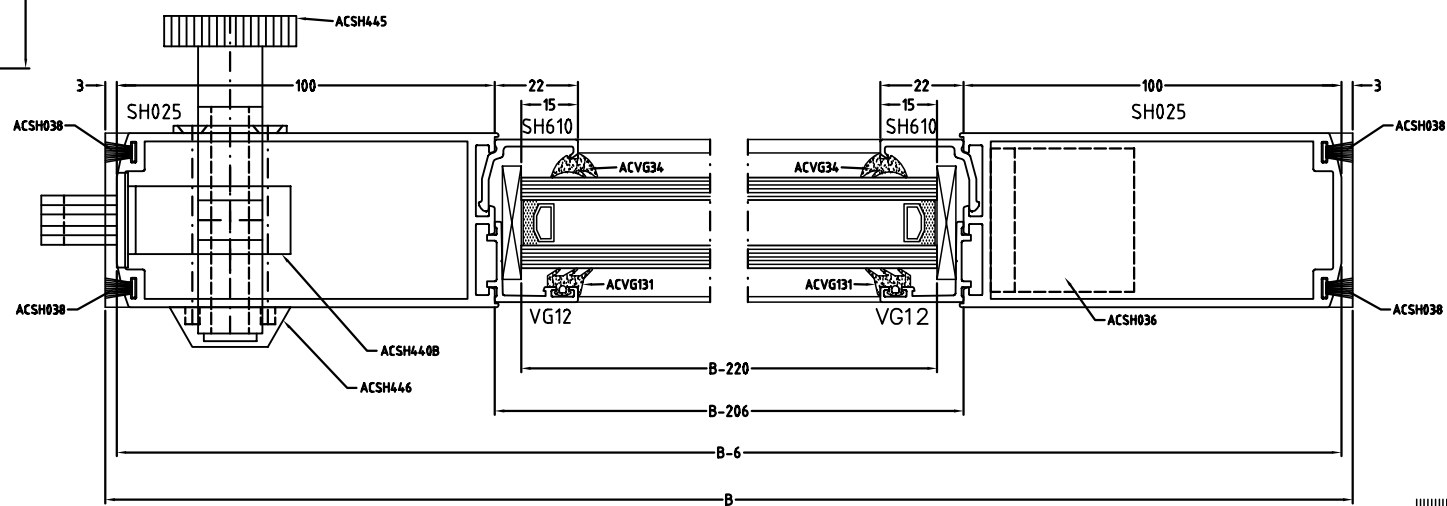
**PROFILES**

SH025		2		H - 23
SH027		1		B - 206
SH120		1		B - 206
SH010		1		B
SH011		1		B - 300
SH410		1		B
SH610		2		B - 206
SH610		2		H - 227
VG12		2		H - 227

**ACCESSORIES**

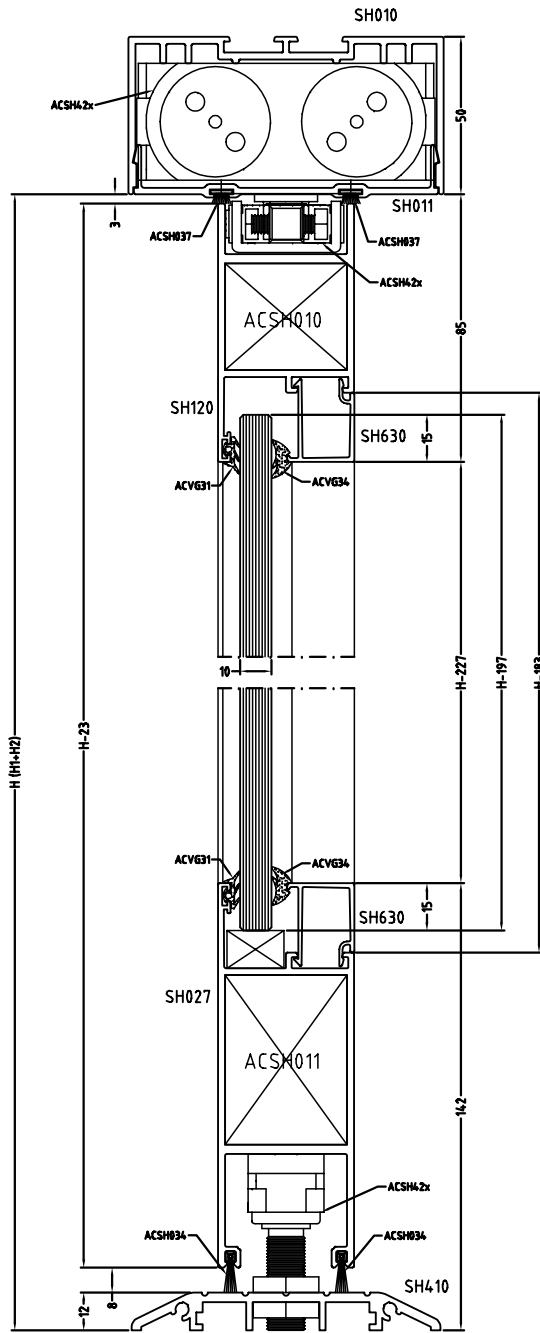
ACSH010	2
ACSH011	2
ACSH037	2B
ACSH038	4 x (H - 23)
ACSH034	2 x (B - 206)
ACSH036	2
ACVG131	2B + 2H - 800
ACVG34	2B + 2H - 800
ACSH42x	1
ACSH445	1
ACSH440B	1
ACSH446	1
ACSH419	1

GLASS SIZES	B - 220
	H - 197



SECTION

DOUBLE SWING DOOR USING SH025/SH026 WITH SH027



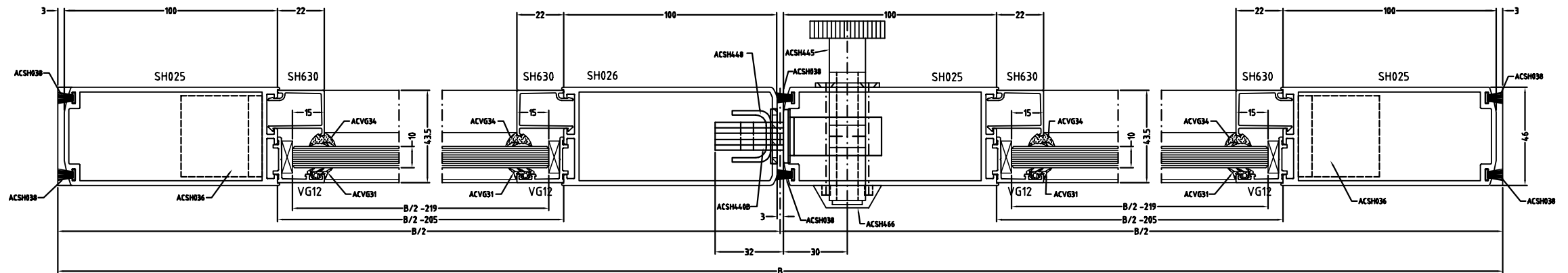
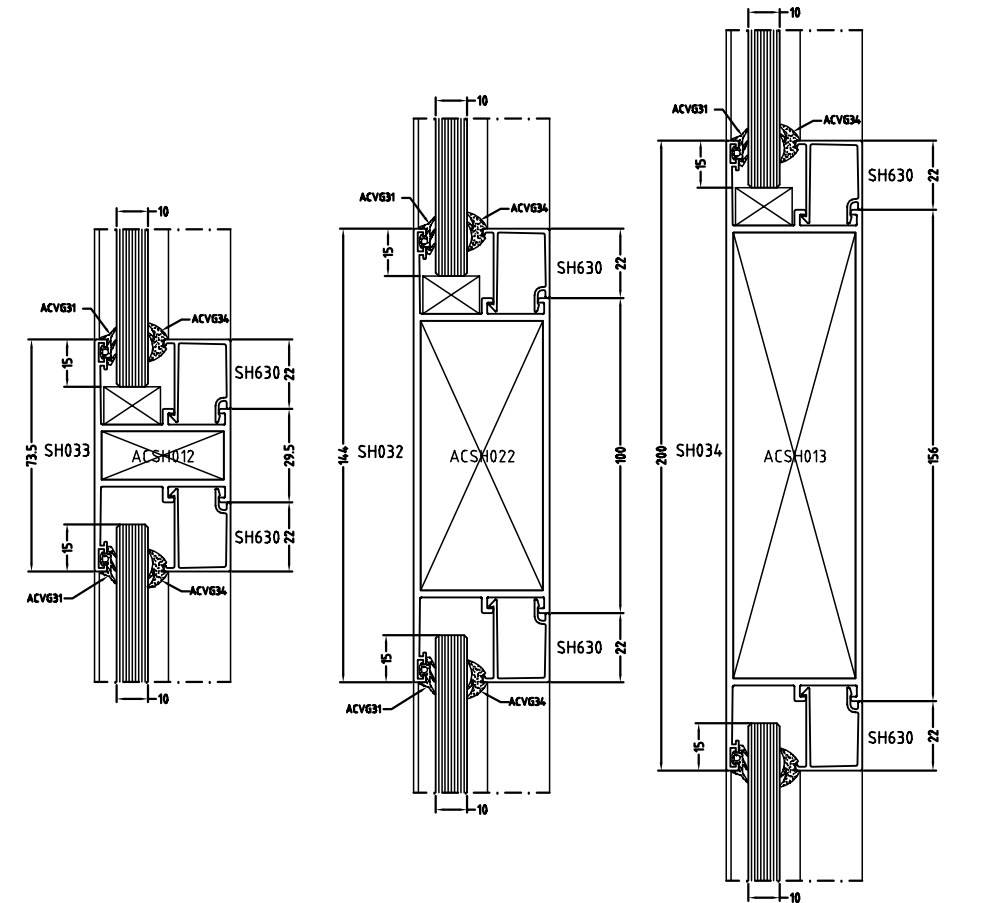
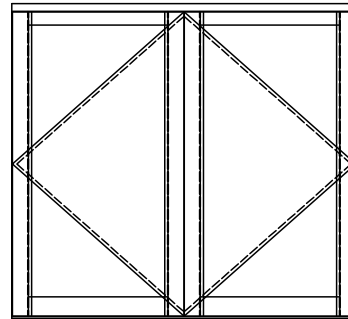
PROFILES

SH025		3		H - 23
SH026		1		H - 23
SH027		2		B/2 - 205
SH120		2		B/2 - 205
SH010		1		B
SH011		1		B - 600
SH410		1		B
SH630		4		B/2 - 205
SH630		4		H - 227
VG12		4		H - 227

ACCESSORIES

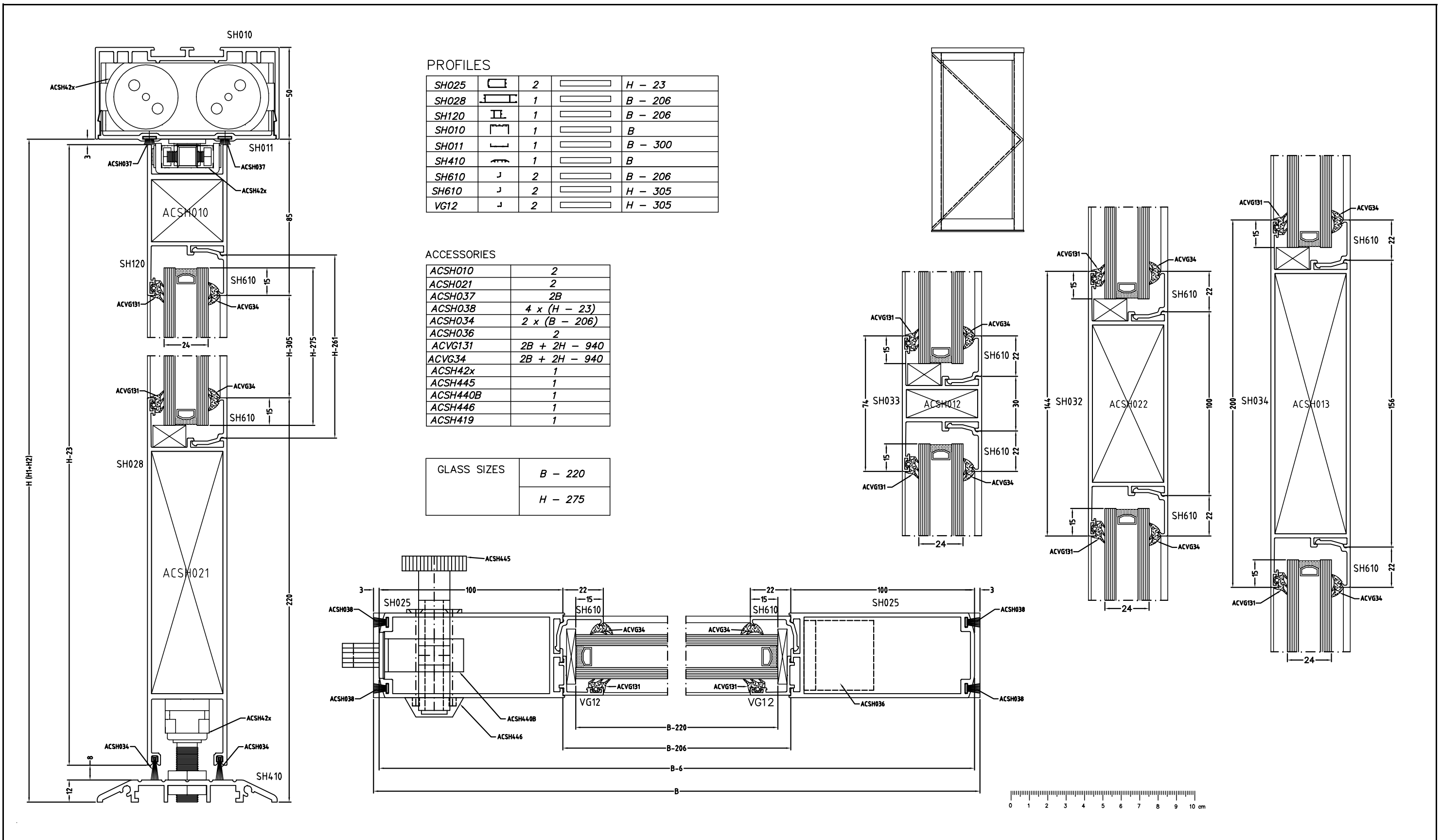
ACSH010	4
ACSH011	4
ACSH037	2B
ACSH038	6x (H - 23)
ACSH034	4x (B/2-205)
ACSH036	4
ACVG31	4H+2B-1600
ACVG34	4H+2B-1600
ACSH42x	2
ACSH440B	1
ACSH445	1
ACSH446	1
ACSH448	1
ACSH432	1
ACSH419	2

GLASS SIZES	B/2 - 219
2 X	H - 197



SECTION

SINGLE SWING DOOR USING SH025 WITH SH028



PROFILES

SH025		2		H - 23
SH028		1		B - 206
SH120		1		B - 206
SH010		1		B
SH011		1		B - 300
SH410		1		B
SH610		2		B - 206
SH610		2		H - 305
VG12		2		H - 305

ACCESSORIES

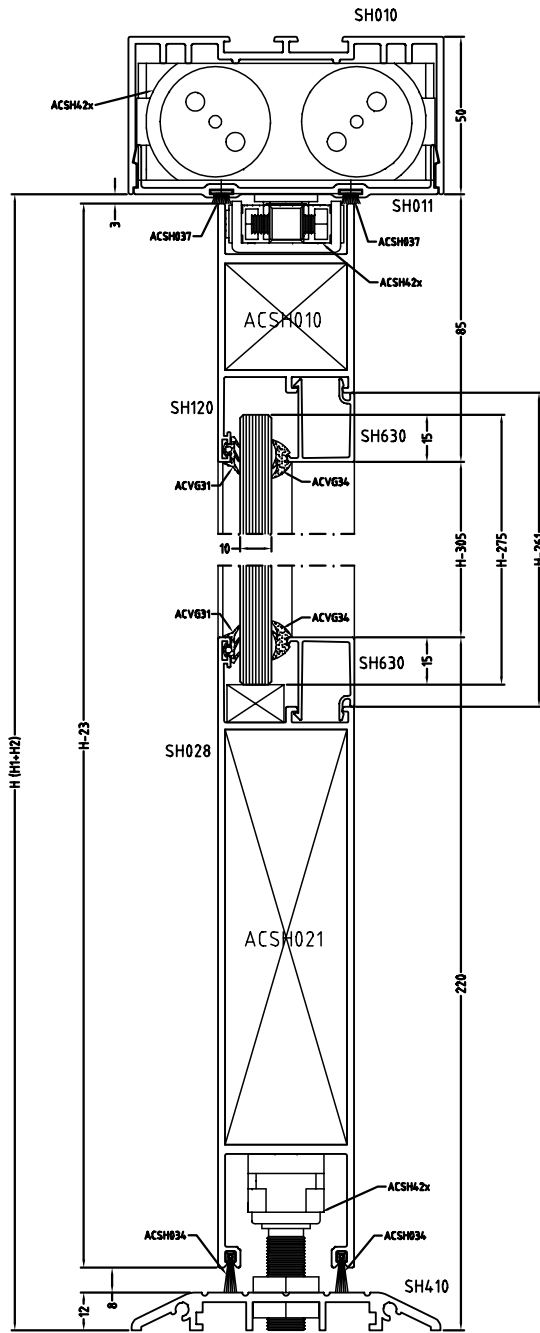
ACSH010	2
ACSH021	2
ACSH037	2B
ACSH038	4 x (H - 23)
ACSH034	2 x (B - 206)
ACSH036	2
ACVG131	2B + 2H - 940
ACVG34	2B + 2H - 940
ACSH42x	1
ACSH445	1
ACSH440B	1
ACSH446	1
ACSH419	1

GLASS SIZES	B - 220
	H - 275



SECTION

DOUBLE SWING DOOR USING SH025/SH026 WITH SH028



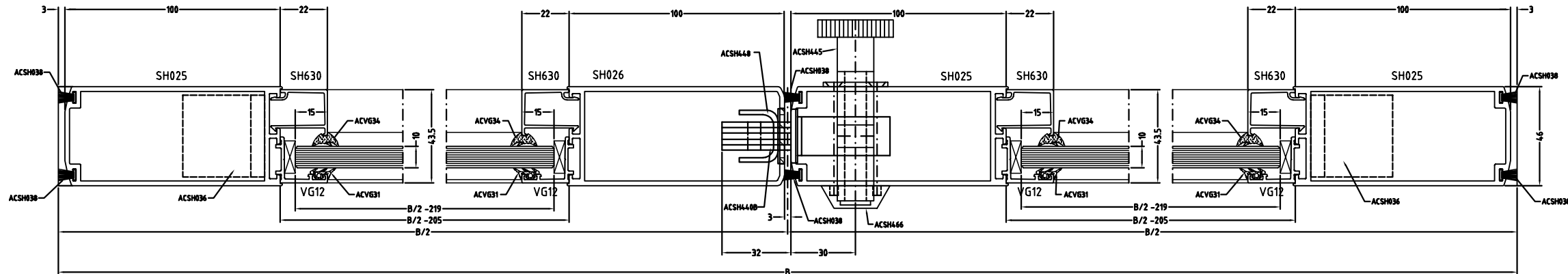
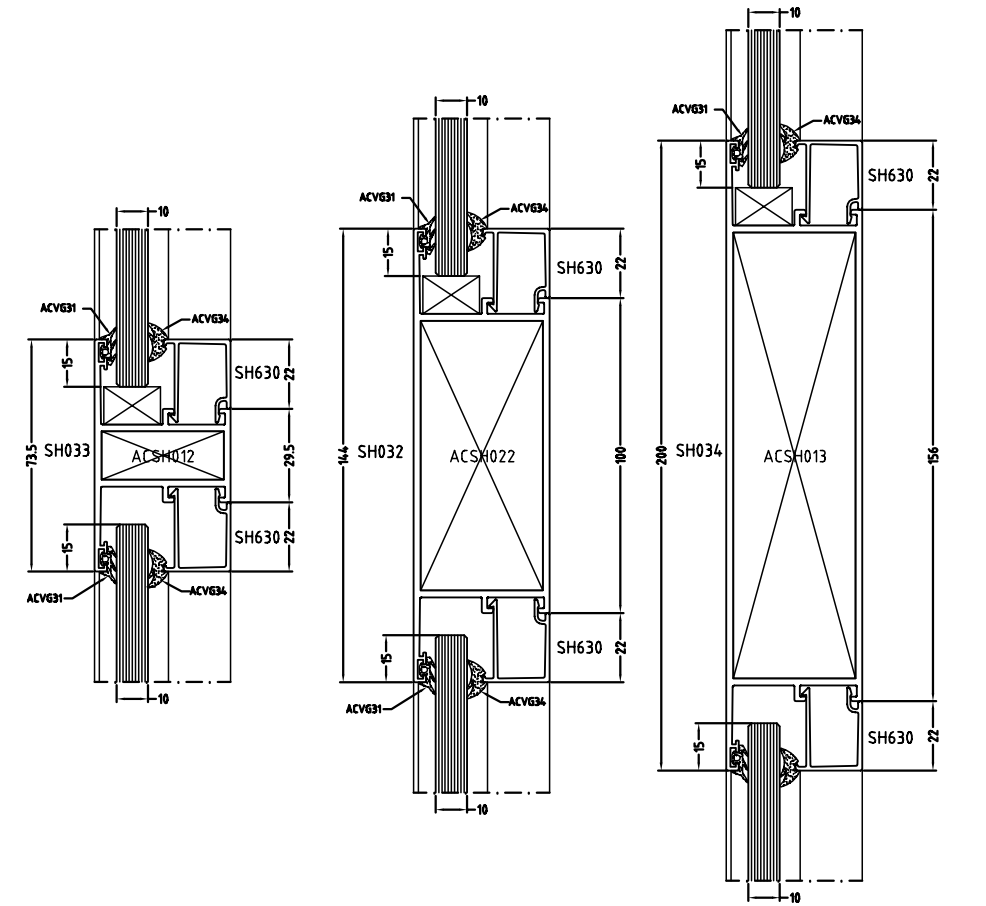
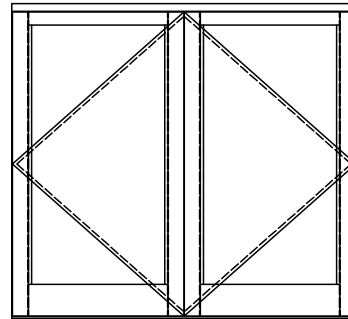
PROFILES

SH025		3		H - 23
SH026		1		H - 23
SH028		2		B/2 - 205
SH120		2		B/2 - 205
SH010		1		B
SH011		1		B - 600
SH410		1		B
SH630		4		B/2 - 205
SH630		4		H - 305
VG12		4		H - 305

ACCESSORIES

ACSH010	4
ACSH021	4
ACSH037	2B
ACSH038	6x (H - 23)
ACSH034	4x (B/2 - 205)
ACSH036	4
ACVG31	4H + 2B - 1870
ACVG34	4H + 2B - 1870
ACSH42x	2
ACSH440B	1
ACSH445	1
ACSH446	1
ACSH448	1
ACSH432	1
ACSH419	2

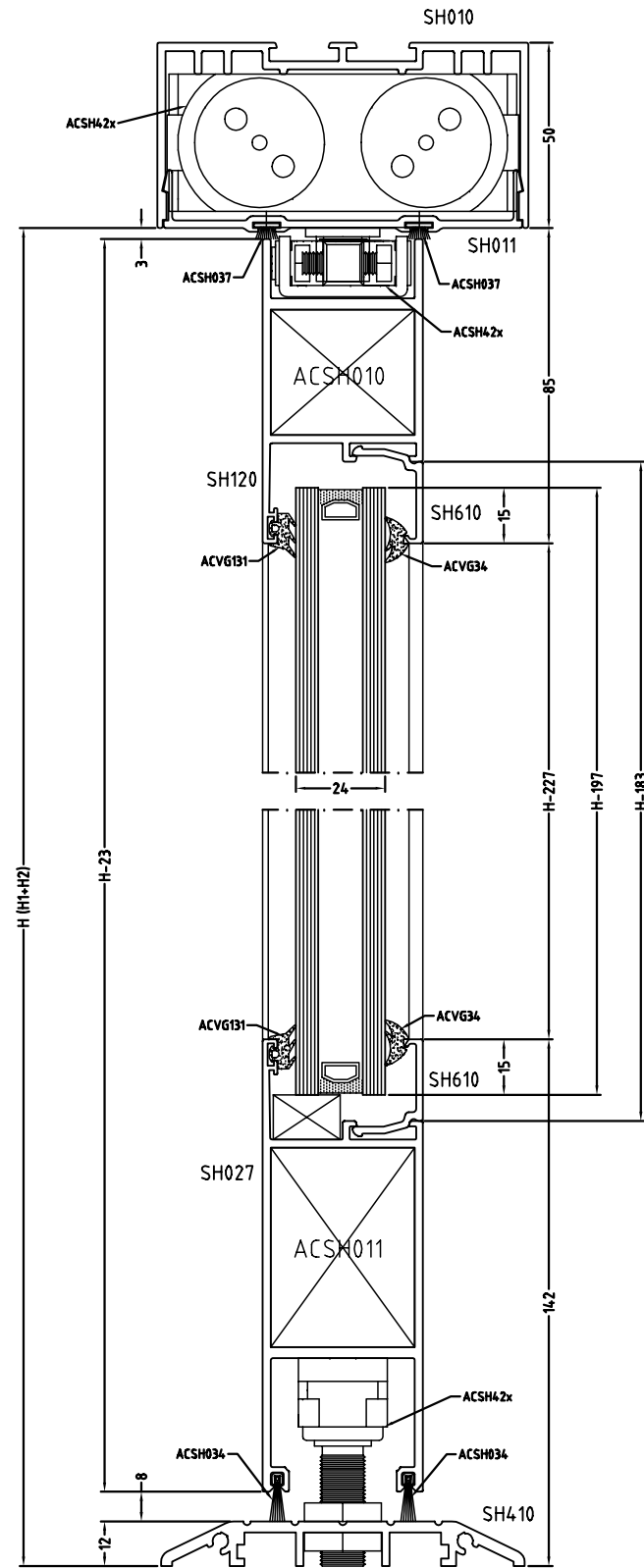
GLASS SIZES	B/2 - 219
2 X	H - 275





SECTION

SINGLE ANTI-FINGER TRAP DOOR USING SH020/SH022 WITH SH027



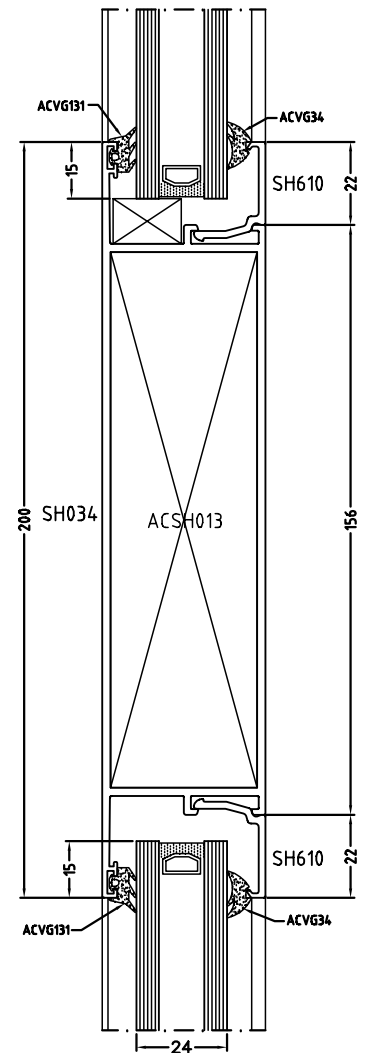
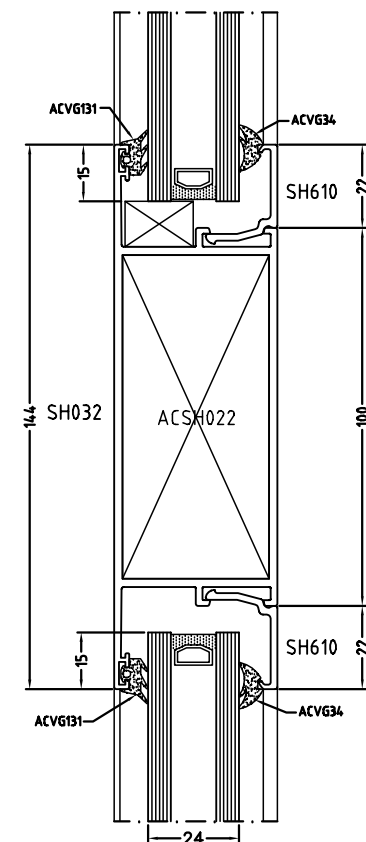
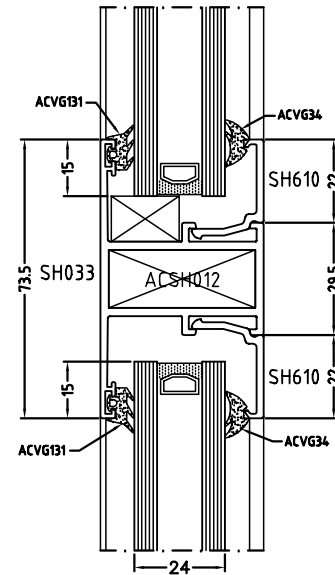
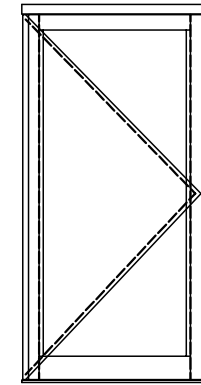
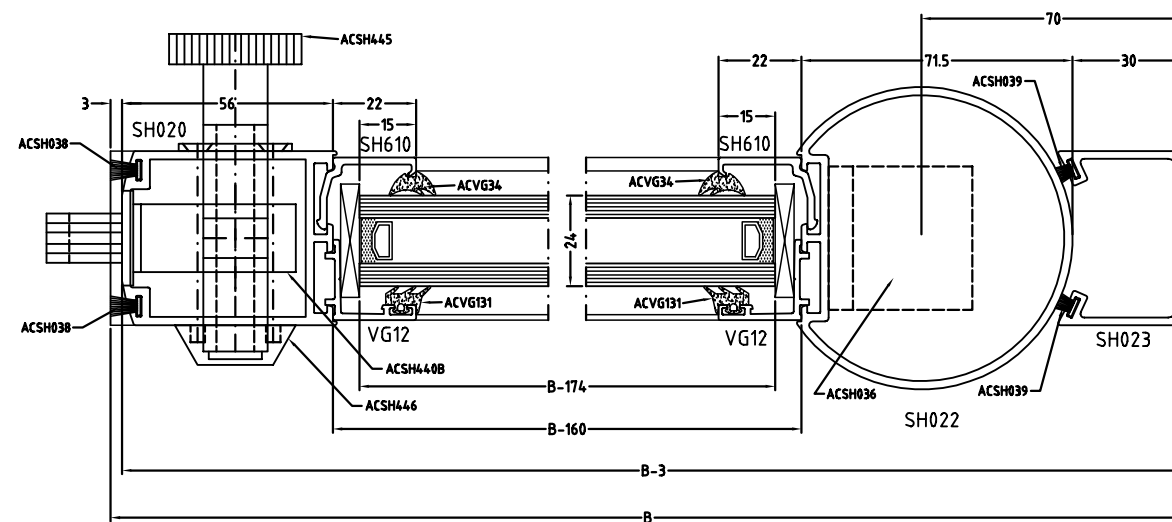
PROFILES

SH020		1		H - 23
SH022		1		H - 23
SH023		1		H - 13
SH027		1		B - 160
SH120		1		B - 160
SH010		1		B
SH011		1		B - 300
SH410		1		B
SH610		2		B - 160
SH610		2		H - 227
VG12		2		H - 227

ACCESSORIES

ACSH010	2
ACSH011	2
ACSH037	2B
ACSH038	2 x (H - 23)
ACSH039	2 x (H - 23)
ACSH034	2 x (B - 160)
ACSH036	2
ACVG131	2B + 2H - 680
ACVG34	2B + 2H - 680
ACSH42x	1
ACSH445	1
ACSH440B	1
ACSH446	1
ACSH419	1

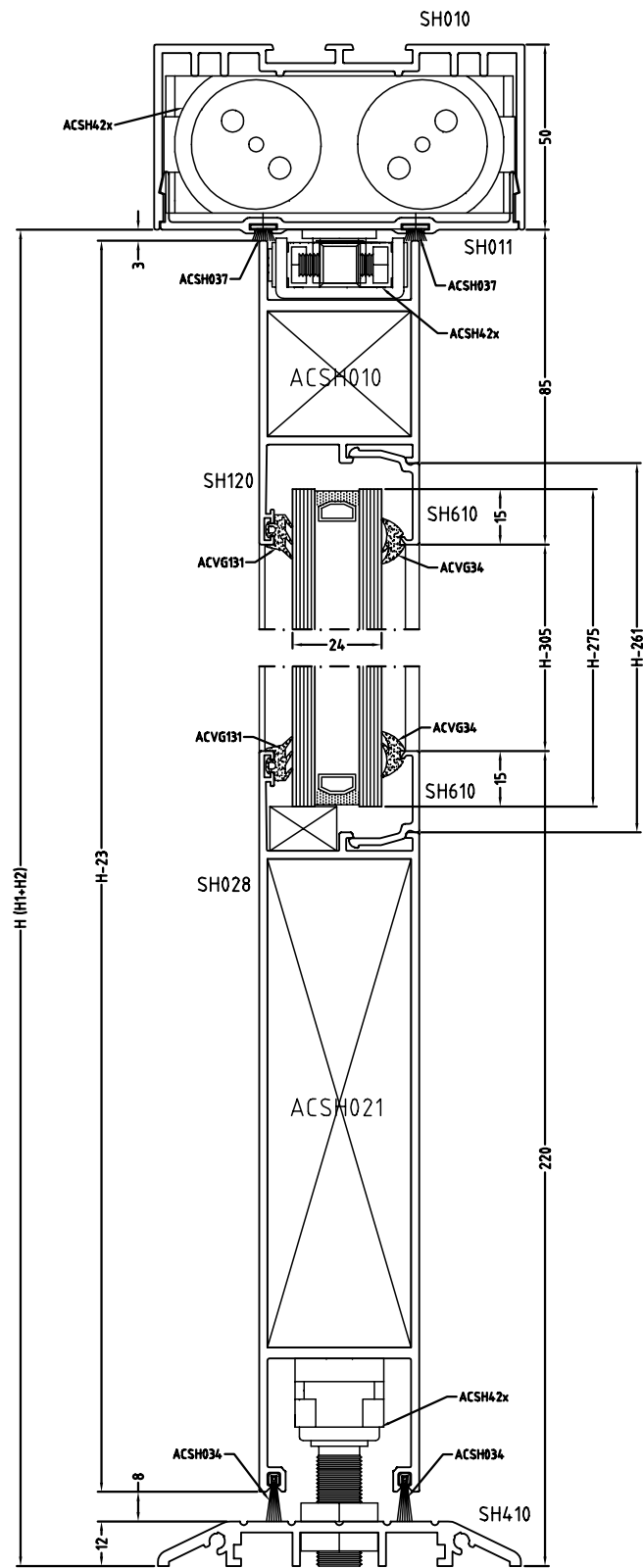
GLASS SIZES	B - 174
	H - 197







**SECTION**  
**SINGLE ANTI-FINGER TRAP DOOR USING SH020/SH022 WITH SH028**



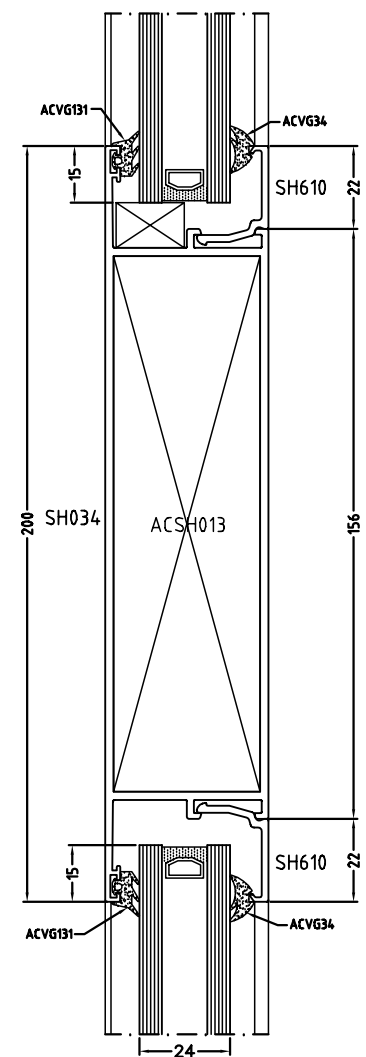
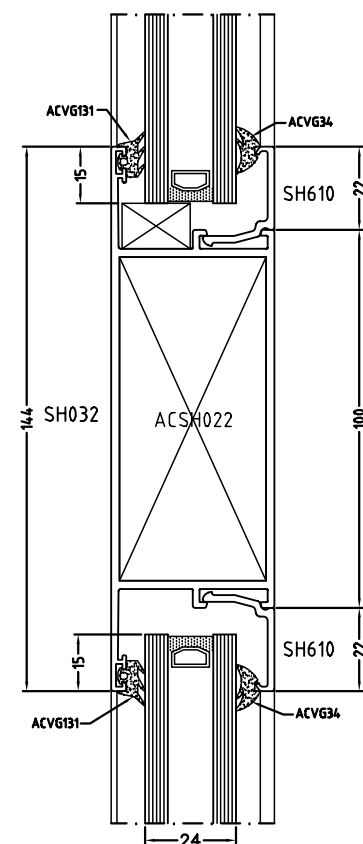
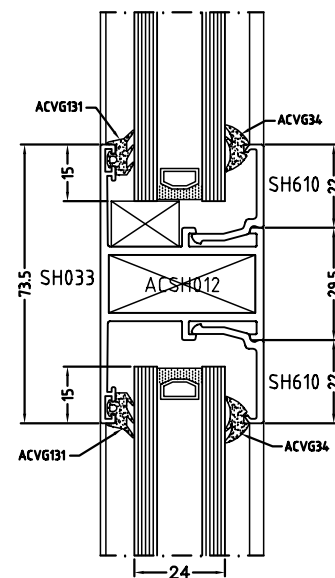
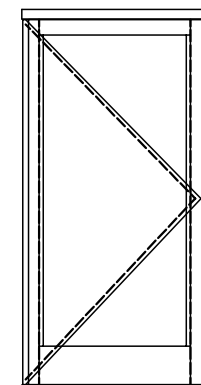
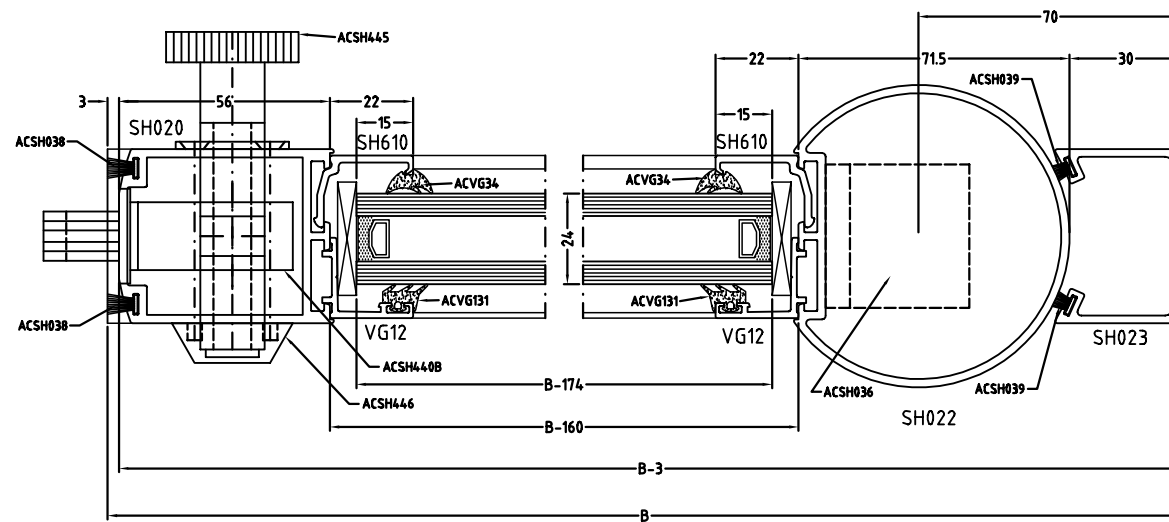
**PROFILES**

SH020		1		H - 23
SH022		1		H - 23
SH023		1		H - 13
SH028		1		B - 160
SH120		1		B - 160
SH010		1		B
SH011		1		B - 300
SH410		1		B
SH610		2		B - 160
SH610		2		H - 305
VG12		2		H - 305

**ACCESSORIES**

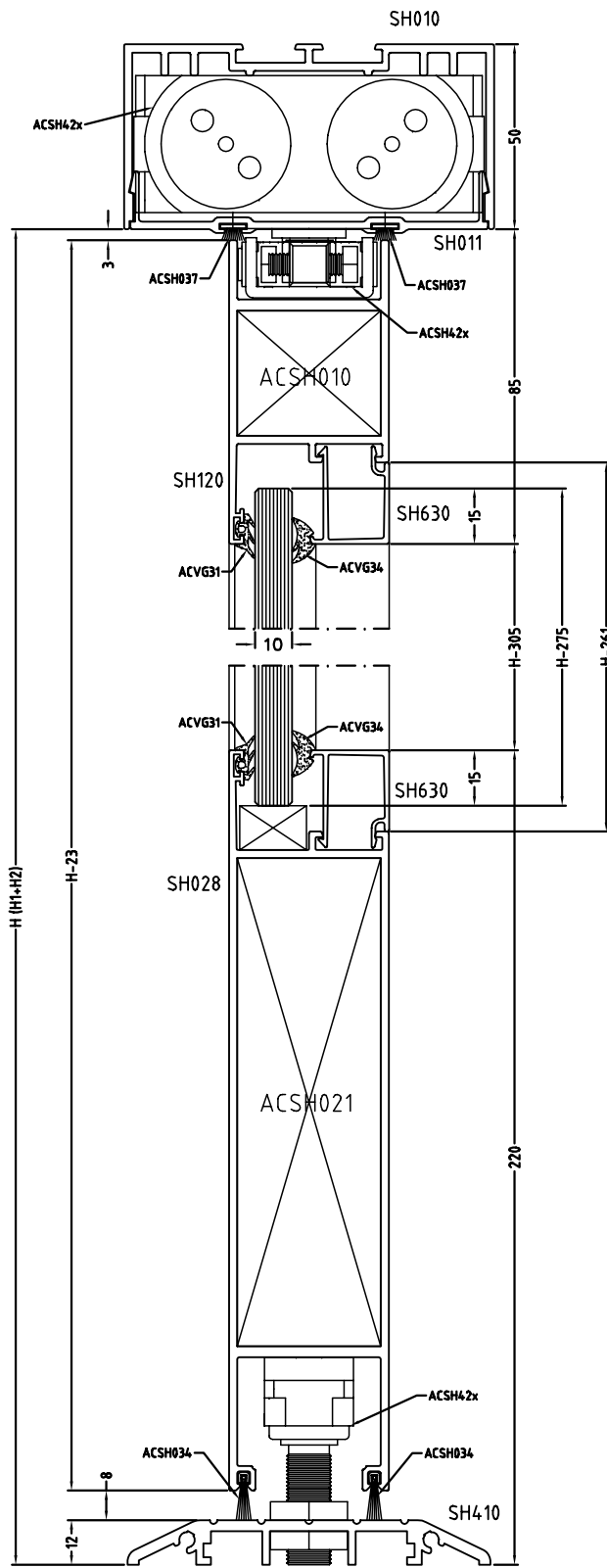
ACSH010	2
ACSH021	2
ACSH037	2B
ACSH038	2 x (H - 23)
ACSH039	2 x (H - 23)
ACSH034	2 x (B - 160)
ACSH036	2
ACVG131	2B + 2H - 840
ACVG34	2B + 2H - 840
ACSH42x	1
ACSH445	1
ACSH440B	1
ACSH446	1
ACSH419	1

GLASS SIZES	B - 174
	H - 275



SECTION

DOUBLE ANTI-FINGER TRAP DOOR USING SH020/SH021/SH022 WITH SH028



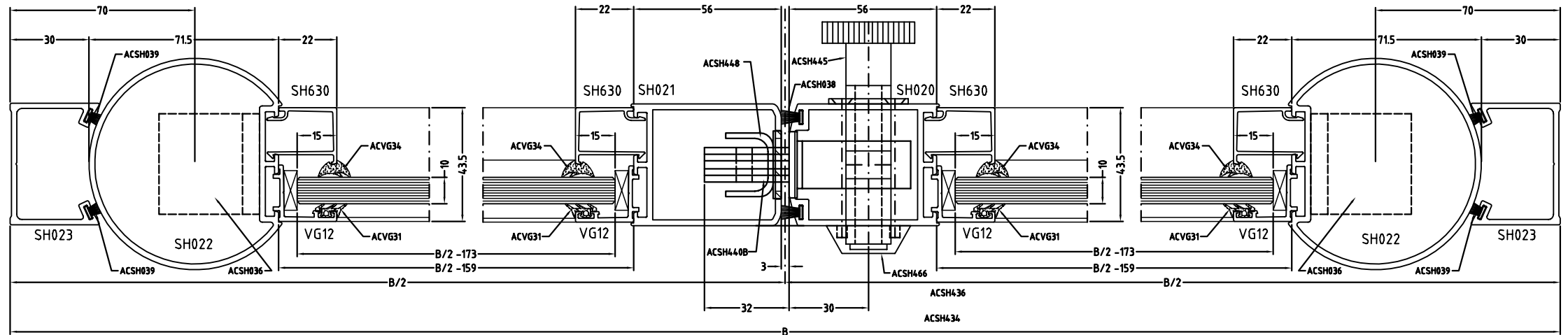
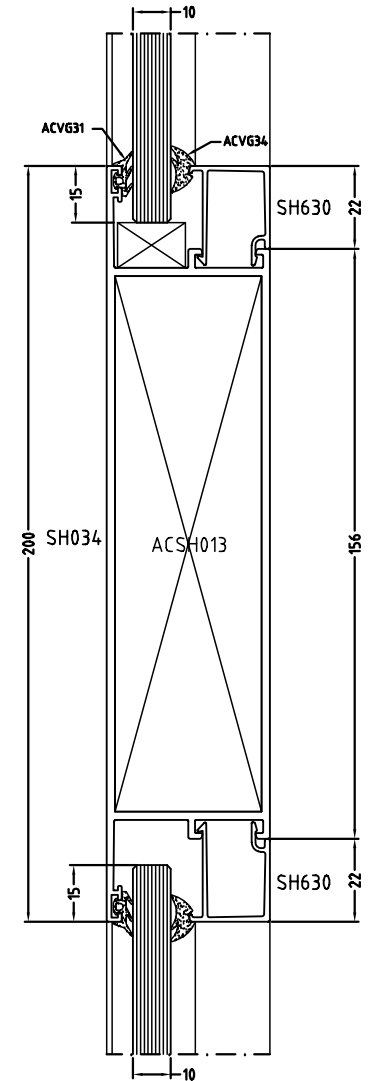
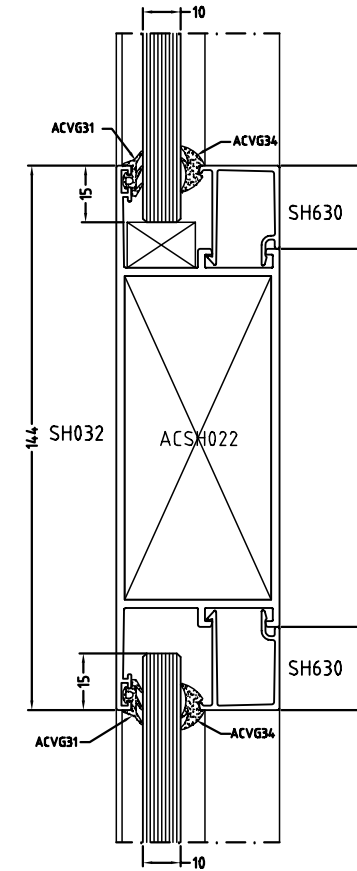
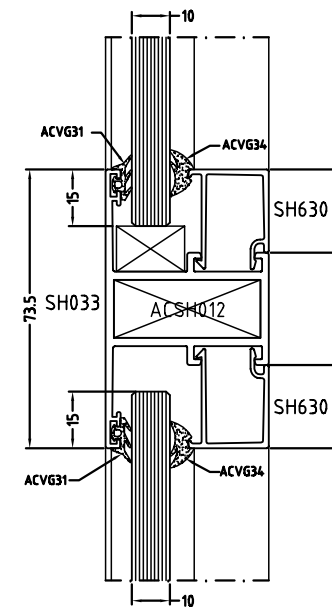
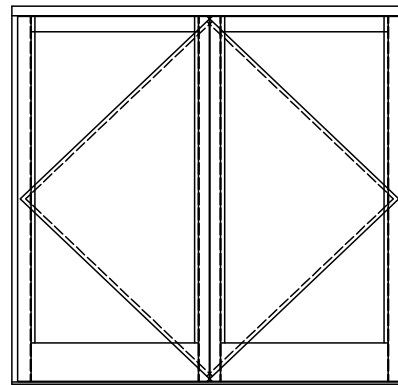
PROFILES

SH020		1		H - 23
SH022		2		H - 23
SH023		2		H - 13
SH021		1		H - 23
SH028		2		B/2 - 159
SH120		2		B/2 - 159
SH010		1		B
SH011		1		B - 600
SH410		1		B
SH630		4		B/2 - 159
SH630		4		H - 305
VG12		4		H - 305

ACCESSORIES

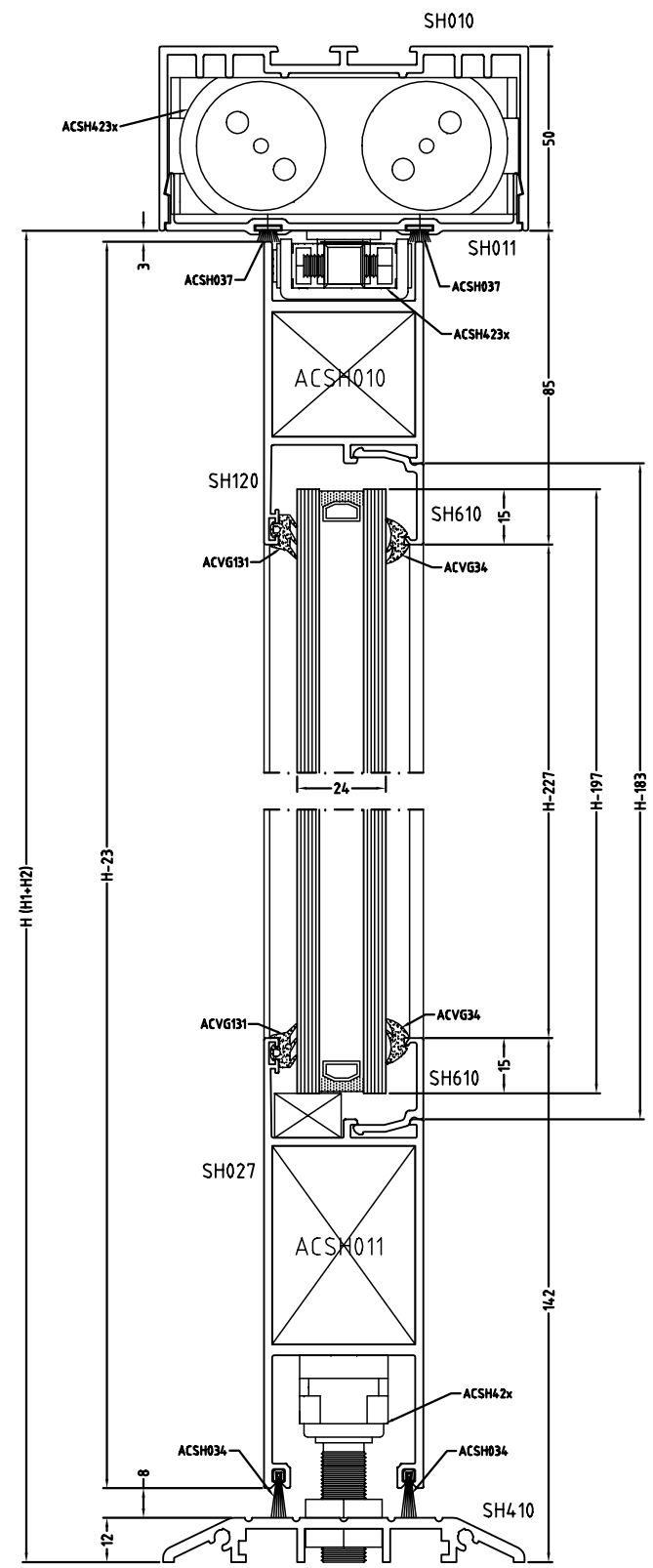
ACSH010	4
ACSH021	4
ACSH037	2B
ACSH038	2x (H - 23)
ACSH039	4x (H - 23)
ACSH034	4x (B/2 - 159)
ACSH036	4
ACVG31	4H + 2B - 1680
ACVG34	4H + 2B - 1680
ACSH42x	2
ACSH440B	1
ACSH445	1
ACSH446	1
ACSH448	1
ACSH432	1
ACSH419	2

GLASS SIZES	
2 X	B/2 - 173
	H - 275



SECTION

SINGLE ANTI-FINGER TRAP DOOR USING SH020/SH036 WITH SH027



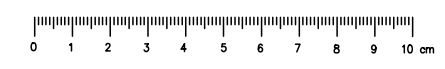
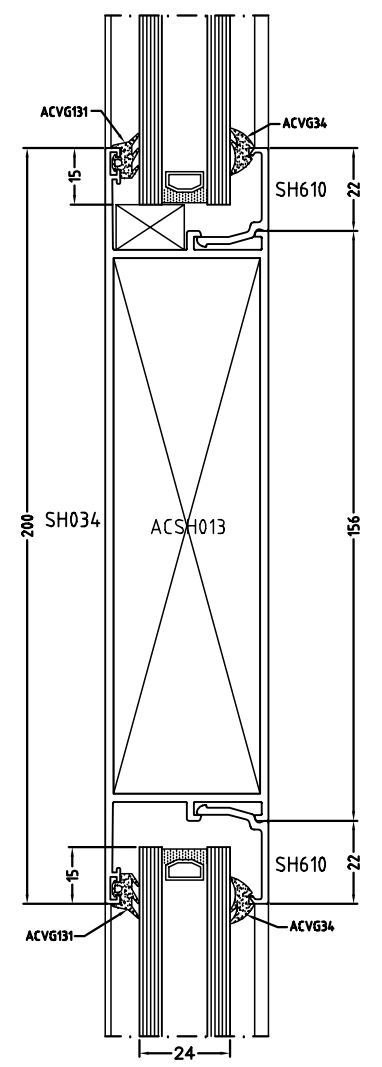
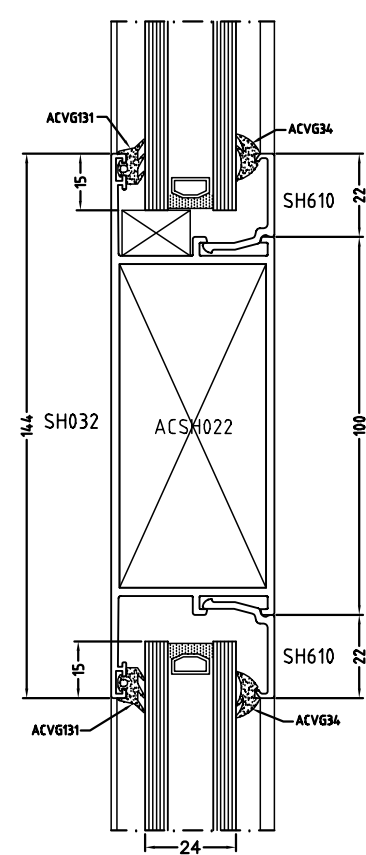
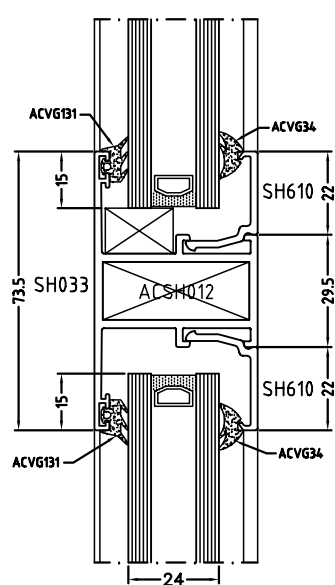
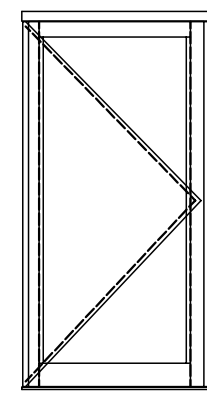
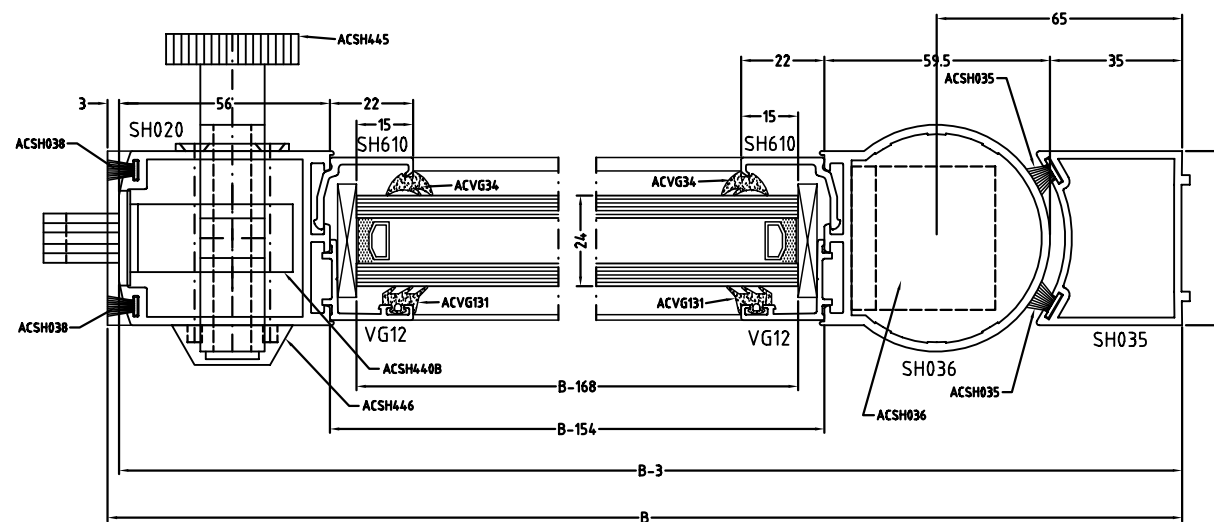
PROFILES

SH020		1		H - 23
SH035		1		H - 13
SH036		1		H - 23
SH027		1		B - 154
SH120		1		B - 154
SH010		1		B
SH011		1		B - 300
SH410		1		B
SH610		2		B - 154
SH610		2		H - 227
VG12		2		H - 227

ACCESSORIES

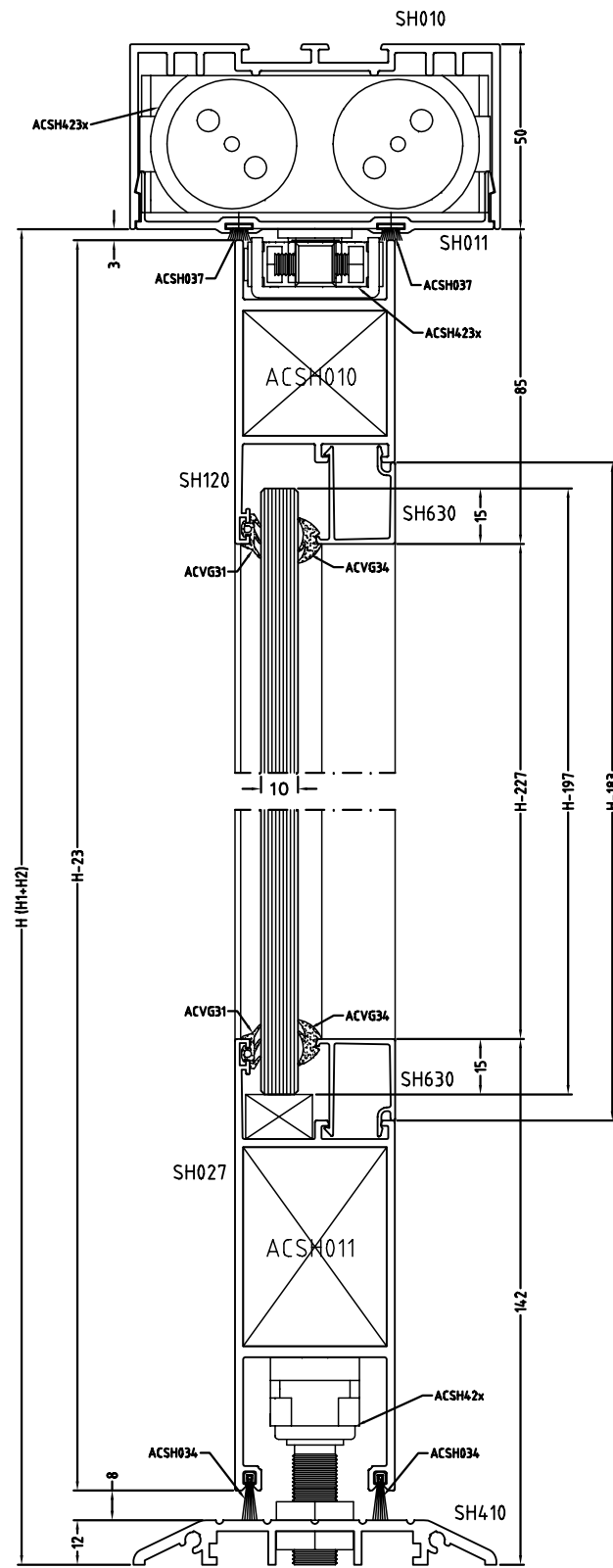
ACSH010	2
ACSH011	2
ACSH037	2 x B
ACSH038	2 x (H - 23)
ACSH035	2 x (H - 13)
ACSH034	2 x (B - 154)
ACSH036	2
ACVG131	2B + 2H - 670
ACVG34	2B + 2H - 670
ACSH423x	1
ACSH445	1
ACSH440B	1
ACSH446	1
ACSH418	1

GLASS SIZES	B - 168
	H - 197



SECTION

DOUBLE ANTI-FINGER TRAP DOOR USING SH020/SH021/SH036 WITH SH027



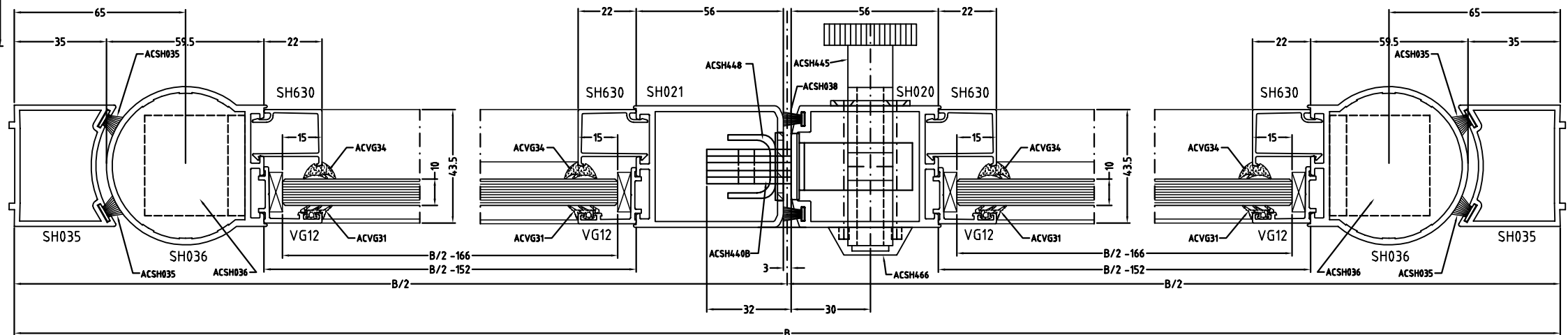
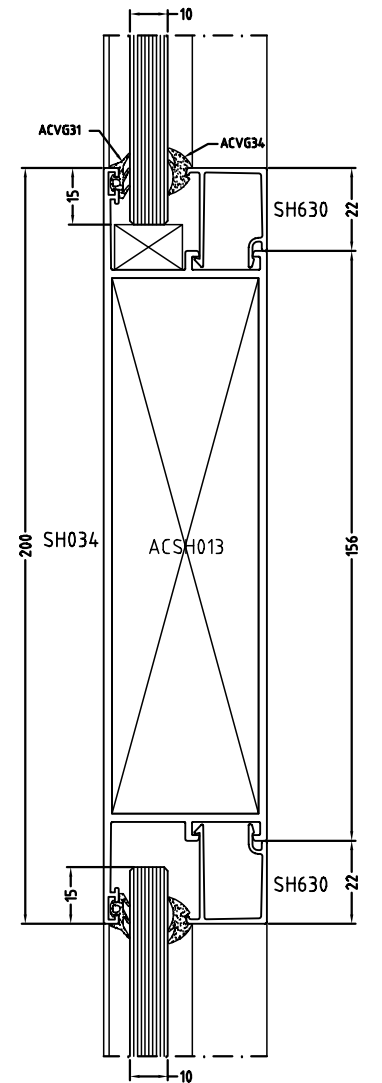
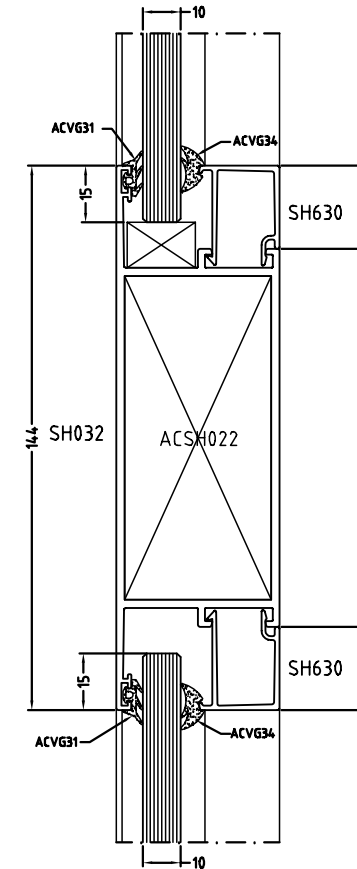
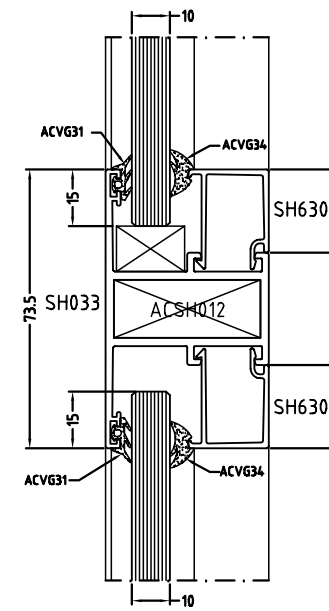
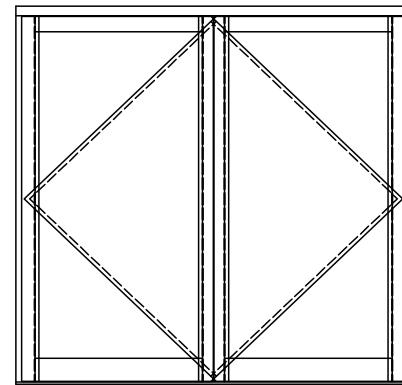
PROFILES

SH020		1		H - 23
SH035		2		H - 13
SH036		2		H - 23
SH021		1		H - 23
SH027		2		B/2 - 152
SH120		2		B/2 - 152
SH010		1		B
SH011		1		B - 600
SH410		1		B
SH630		4		B/2 - 152
SH630		4		H - 227
VG12		4		H - 227

ACCESSORIES

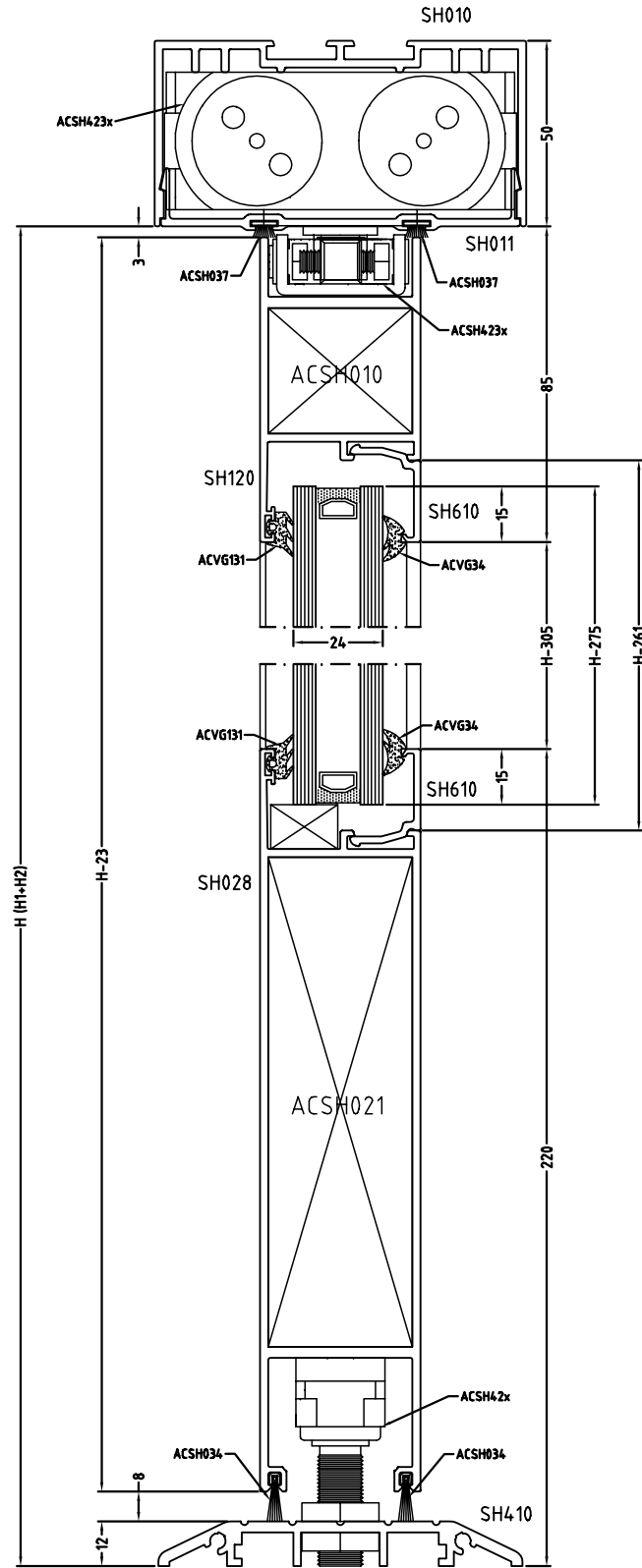
ACSH010	4
ACSH011	4
ACSH037	2B
ACSH038	2x (H - 23)
ACSH035	4x (H - 23)
ACSH034	4x (B/2 - 152)
ACSH036	4
ACVG31	4H + 2B - 1340
ACVG34	4H + 2B - 1340
ACSH423x	2
ACSH440B	1
ACSH445	1
ACSH446	1
ACSH448	1
ACSH432	1
ACSH418	2

GLASS SIZES	B/2 - 166
	2 X H - 197



SECTION

SINGLE ANTI-FINGER TRAP DOOR USING SH020/SH036 WITH SH028



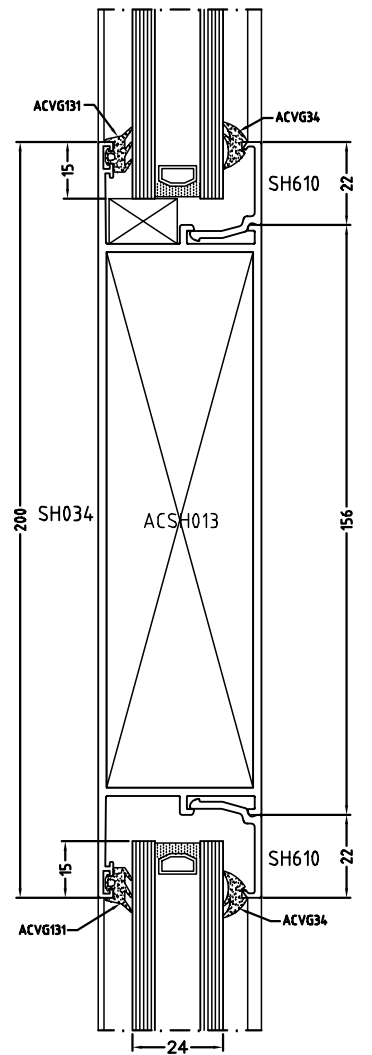
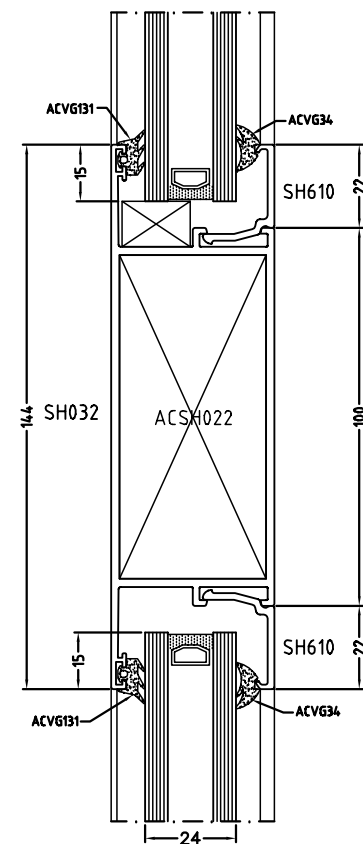
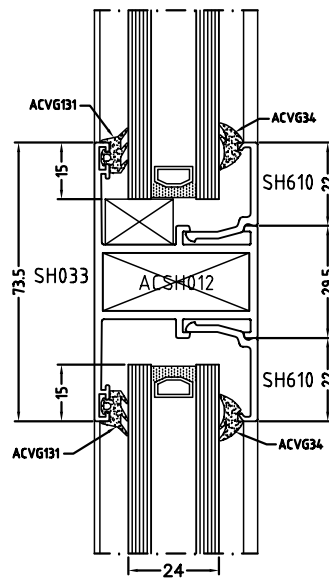
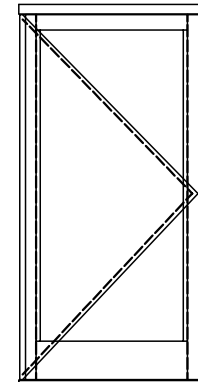
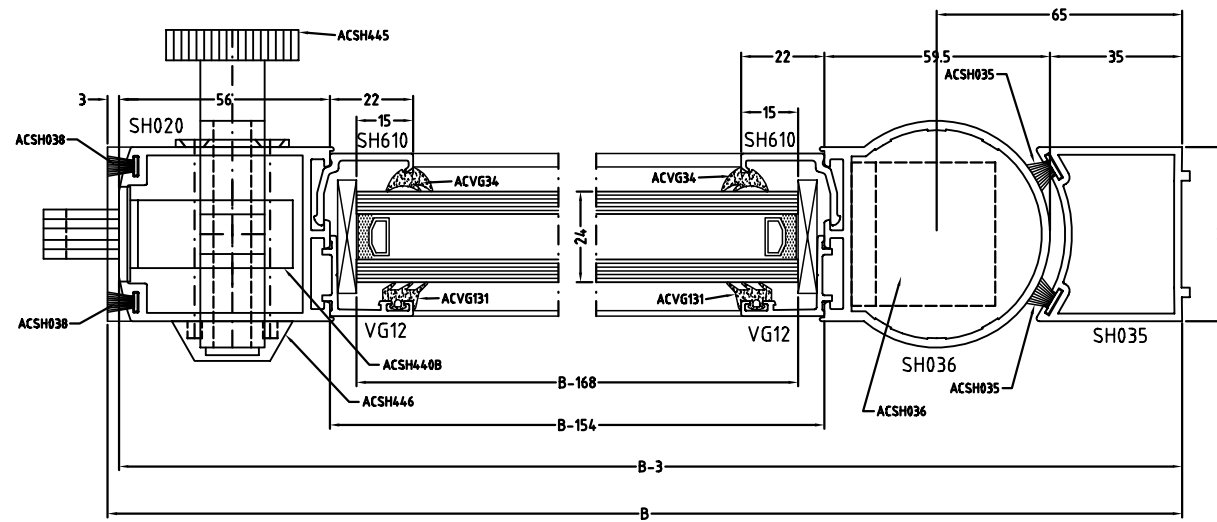
### PROFILES

SH020	[Symbol]	1	[Symbol]	H - 23
SH035	[Symbol]	1	[Symbol]	H - 13
SH036	[Symbol]	1	[Symbol]	H - 23
SH027	[Symbol]	1	[Symbol]	B - 154
SH120	[Symbol]	1	[Symbol]	B - 154
SH010	[Symbol]	1	[Symbol]	B
SH011	[Symbol]	1	[Symbol]	B - 300
SH410	[Symbol]	1	[Symbol]	B
SH610	[Symbol]	2	[Symbol]	B - 154
SH610	[Symbol]	2	[Symbol]	H - 305
VG12	[Symbol]	2	[Symbol]	H - 305

### ACCESSORIES

ACSH010	2
ACSH011	2
ACSH037	2 x B
ACSH038	2 x (H - 23)
ACSH035	2 x (H - 13)
ACSH034	2 x (B - 154)
ACSH036	2
ACVG131	2B + 2H - 830
ACVG34	2B + 2H - 830
ACSH423x	1
ACSH440B	1
ACSH445	1
ACSH446	1
ACSH418	1

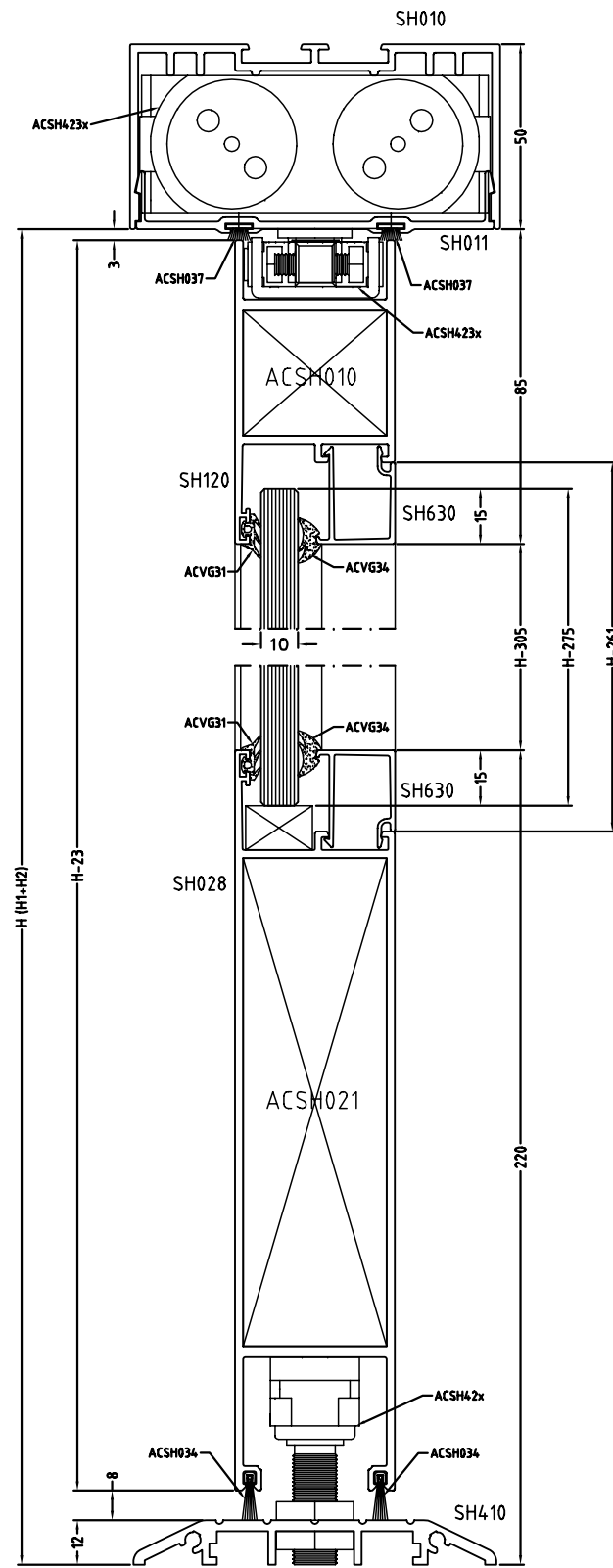
GLASS SIZES	B - 168
	H - 275





SECTION

DOUBLE ANTI-FINGER TRAP DOOR USING SH020/SH021/SH036 WITH SH028



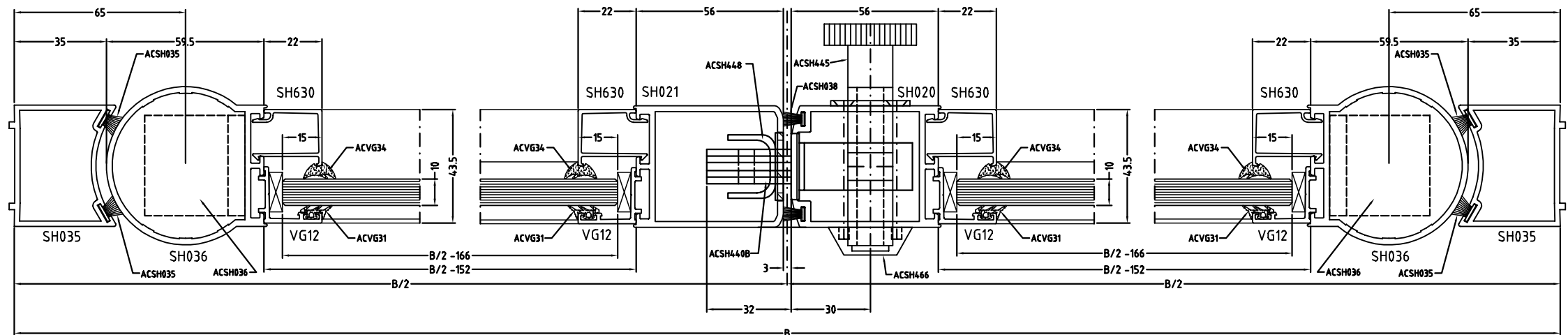
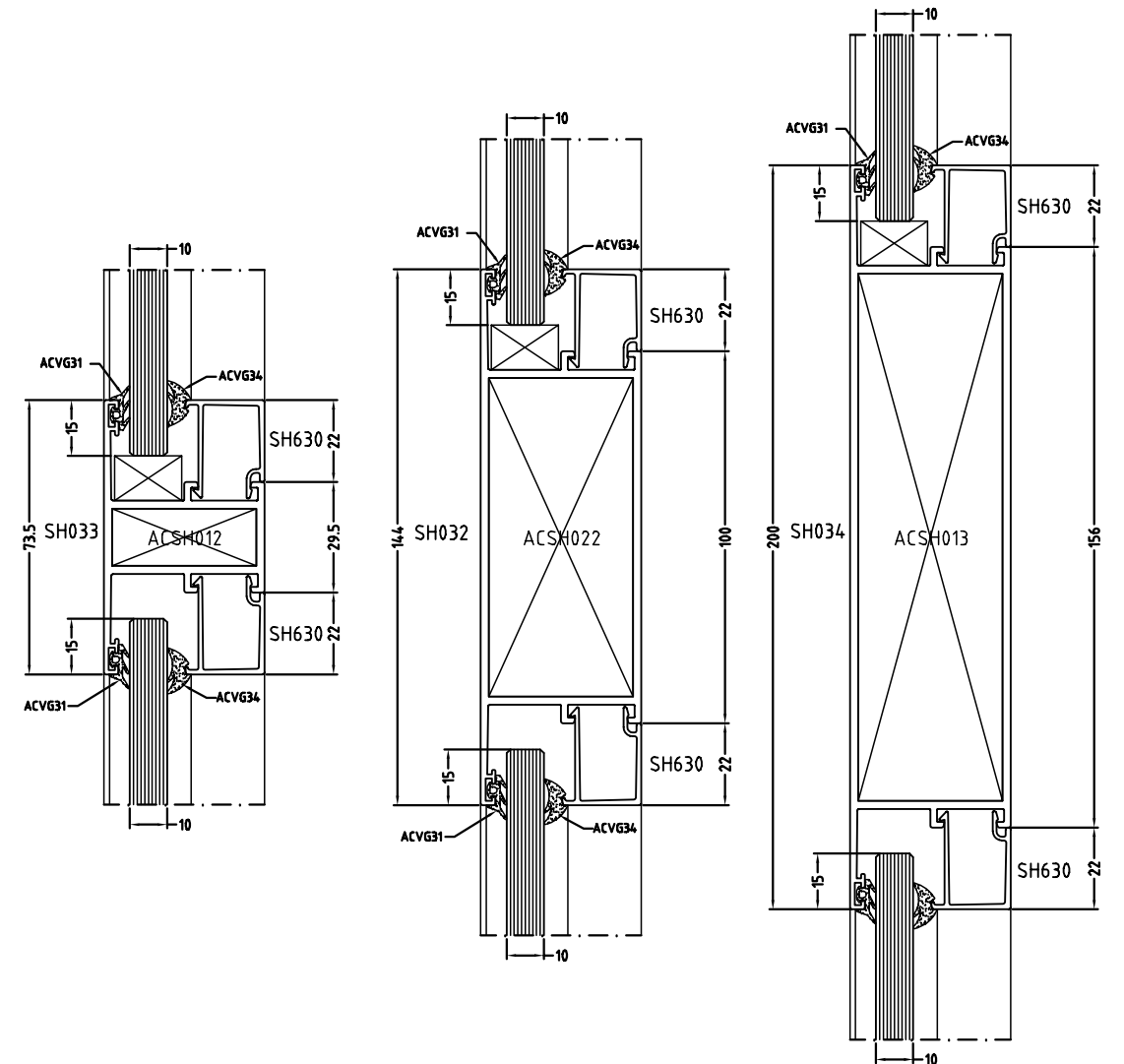
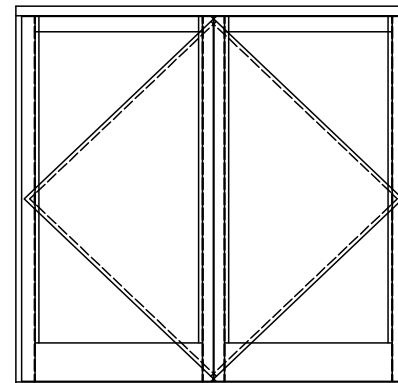
PROFILES

SH020		1		H - 23
SH035		2		H - 13
SH036		2		H - 23
SH021		1		H - 23
SH027		2		B/2 - 152
SH120		2		B/2 - 152
SH010		1		B
SH011		1		B - 600
SH410		1		B
SH630		4		B/2 - 152
SH630		4		H - 305
VG12		4		H - 305

ACCESSORIES

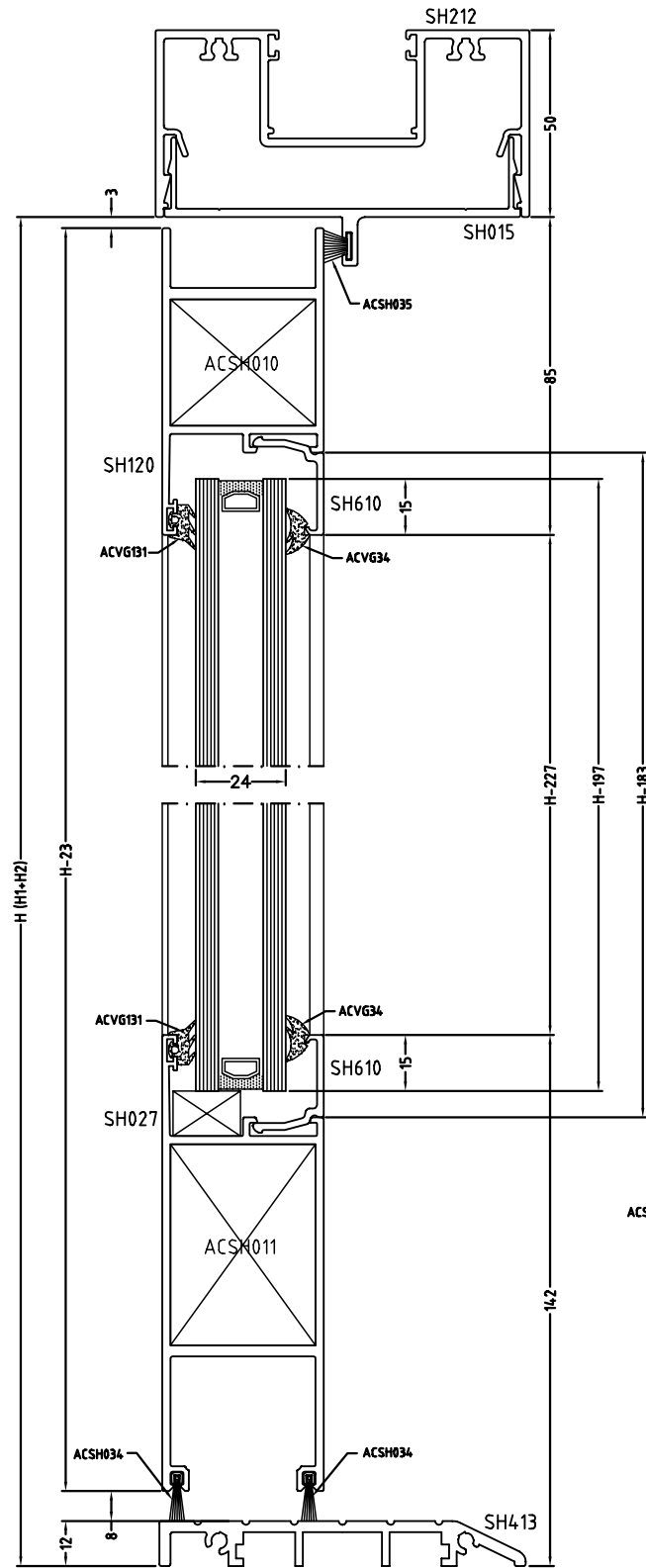
ACSH010	4
ACSH011	4
ACSH037	2B
ACSH038	2x (H - 23)
ACSH035	4x (H - 23)
ACSH034	4x (B/2 - 152)
ACSH036	4
ACVG31	4H + 2B - 1650
ACVG34	4H + 2B - 1650
ACSH423x	2
ACSH440B	1
ACSH445	1
ACSH446	1
ACSH448	1
ACSH432	1
ACSH418	2

GLASS SIZES	B/2 - 166
	H - 275



SECTION

SINGLE REBATE DOOR USING SH039 WITH SH027



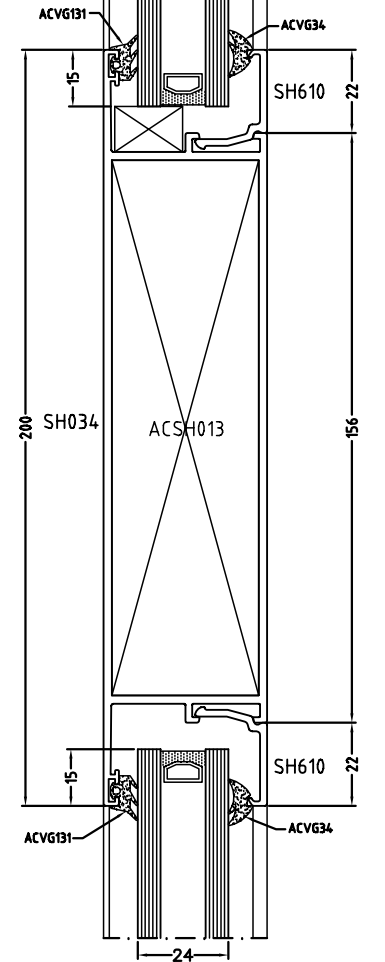
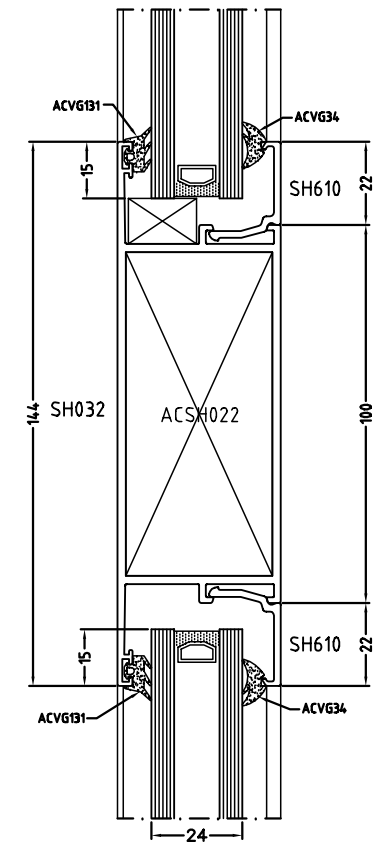
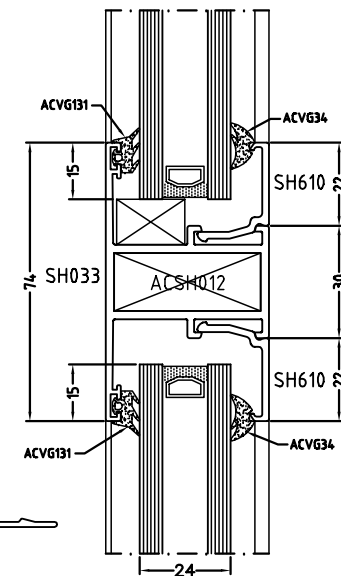
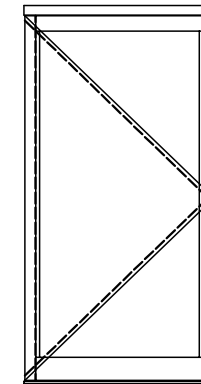
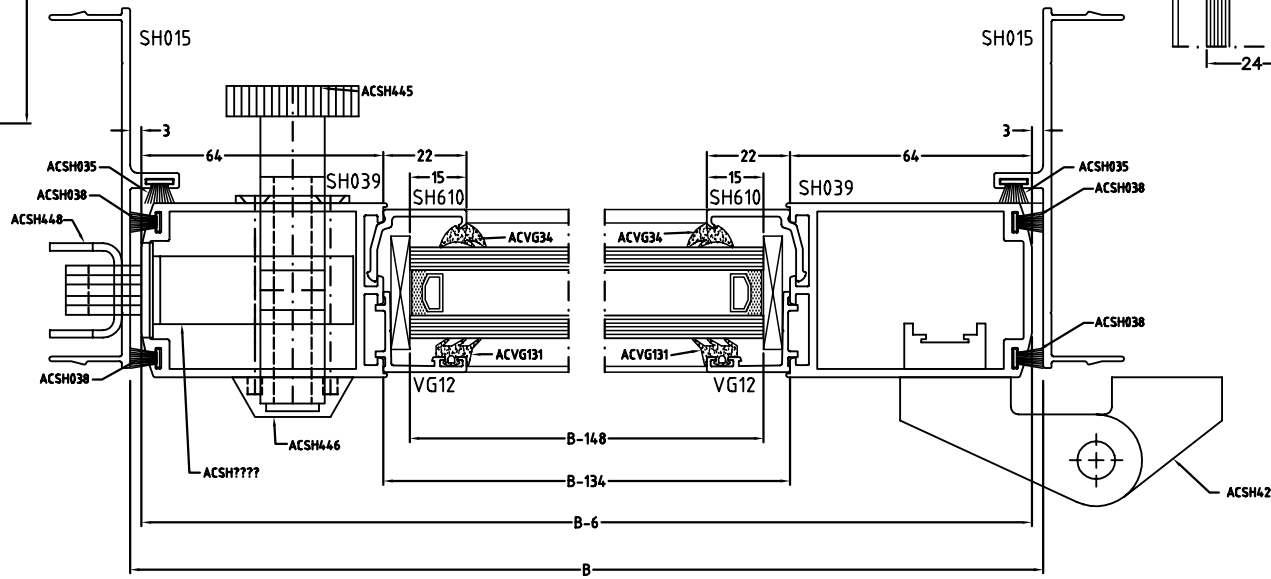
PROFILE CUTTING SCHEDULE

SH039		2		H - 23
SH027		1		B - 134
SH120		1		B - 134
SH212		1		B
SH015		1		B
SH015		2		H
SH413		1		B
SH610		2		B - 134
SH610		2		H - 227
VG12		2		H - 227

ACCESSORIES

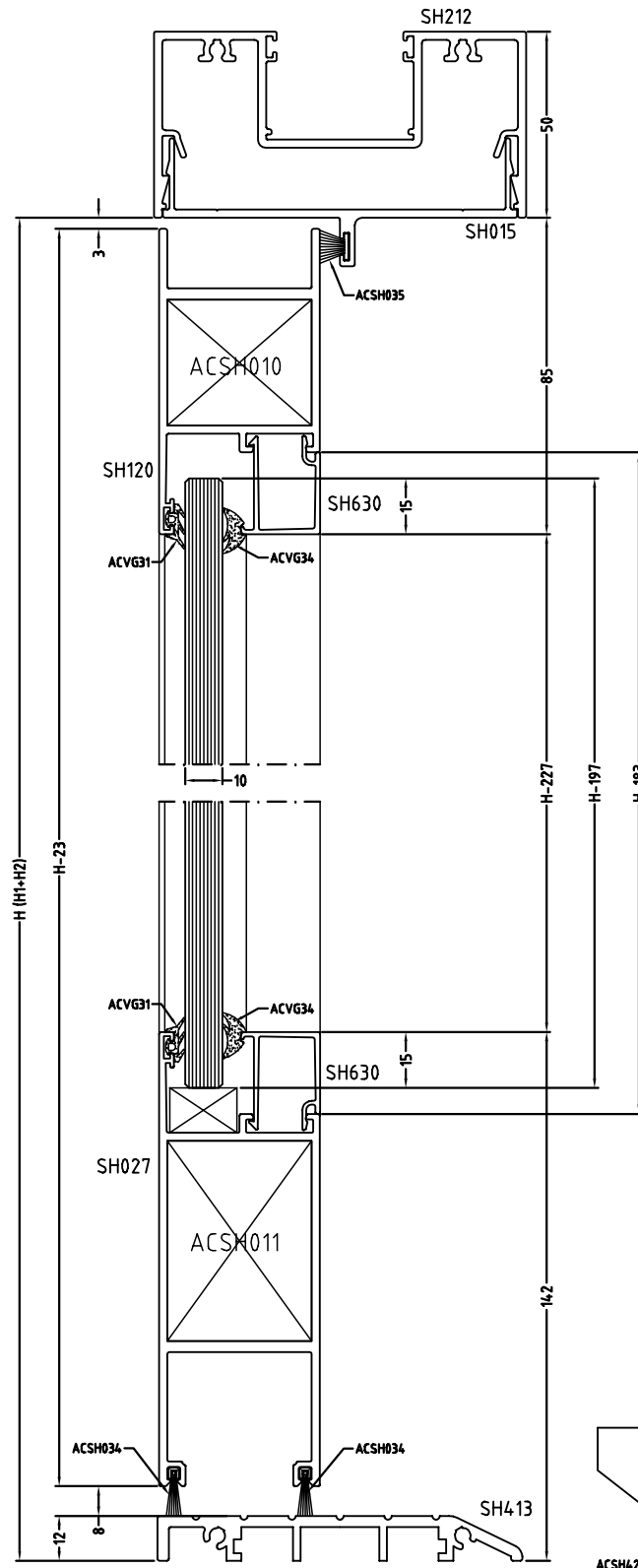
ACSH010	2
ACSH011	2
ACSH035	1 x B
ACSH035	2 x H
ACSH038	4 x (H - 23)
ACSH034	2 x (B - 134)
ACVG131	2B + 2H - 630
ACVG34	2B + 2H - 630
ACSH427	3
ACSH429	3
ACSH440C	1
ACSH445	1
ACSH448	1
ACSH446	1

GLASS SIZES	B - 148
	H - 197



SECTION

DOUBLE REBATE DOOR USING SH039/SH040 WITH SH027



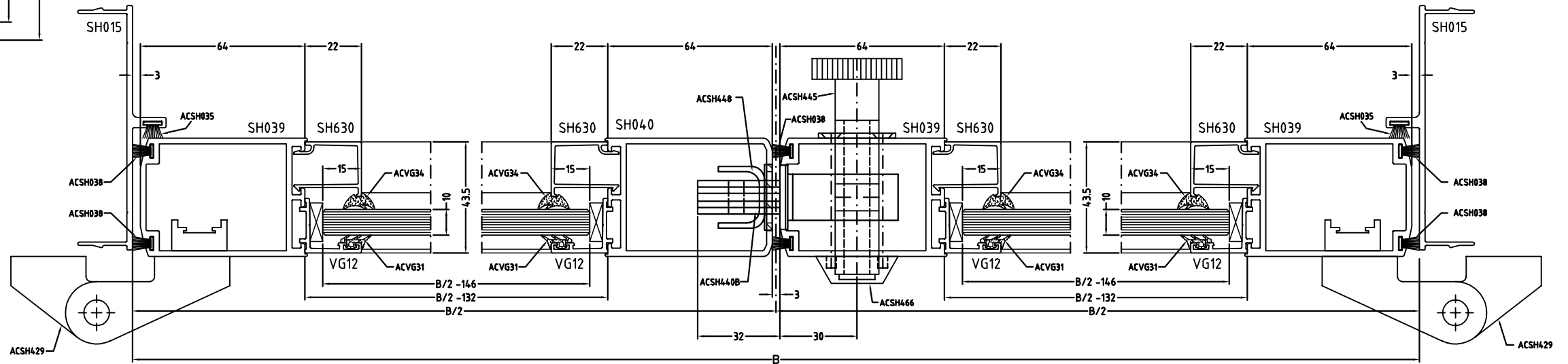
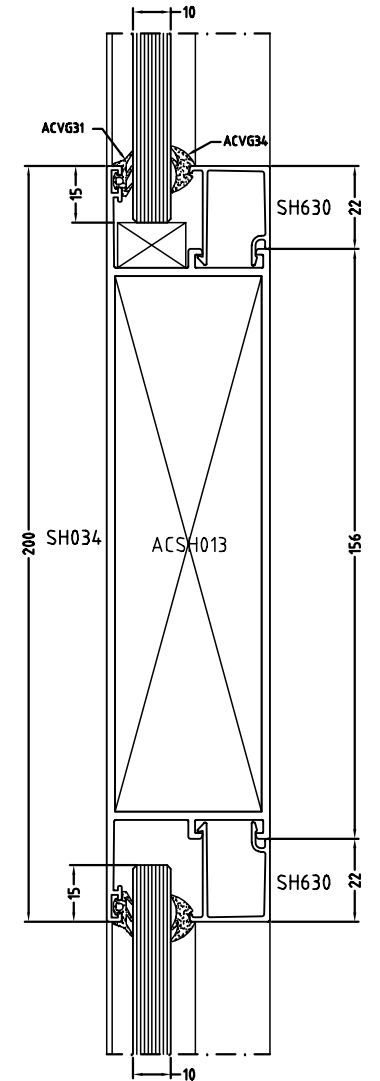
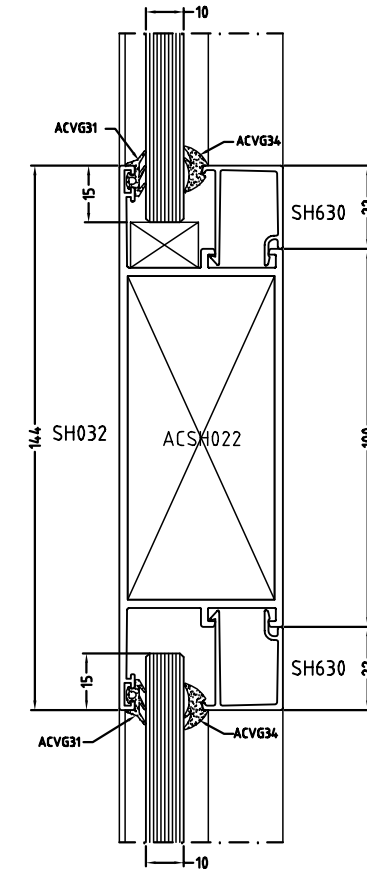
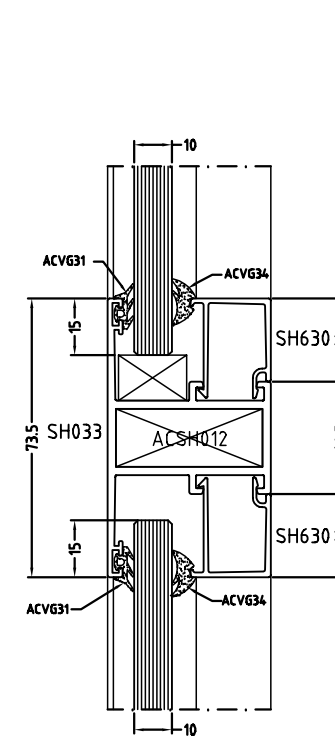
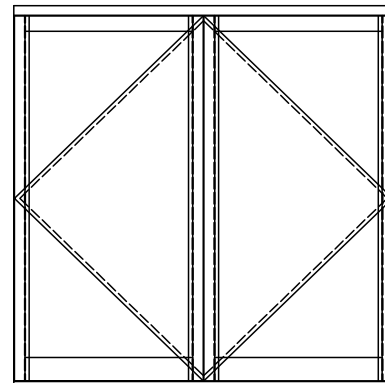
PROFILE CUTTING SCHEDULE

SH039		3		H - 23
SH040		1		H - 23
SH027		2		B/2 - 132
SH120		2		B/2 - 132
SH212		1		B
SH015		1		B
SH015		2		H
SH413		1		B
SH630		4		B/2 - 132
SH630		4		H - 227
VG12		4		H - 227

ACCESSORIES

ACSH010	4
ACSH011	4
ACSH035	1 x B
ACSH035	2 x H
ACSH038	6x (H - 23)
ACSH034	4x (B/2 - 132)
ACVG31	4H + 2B - 1260
ACVG34	4H + 2B - 1260
ACSH427	6
ACSH429	6
ACSH440B	1
ACSH445	1
ACSH446	1
ACSH448	1
ACSH432	1

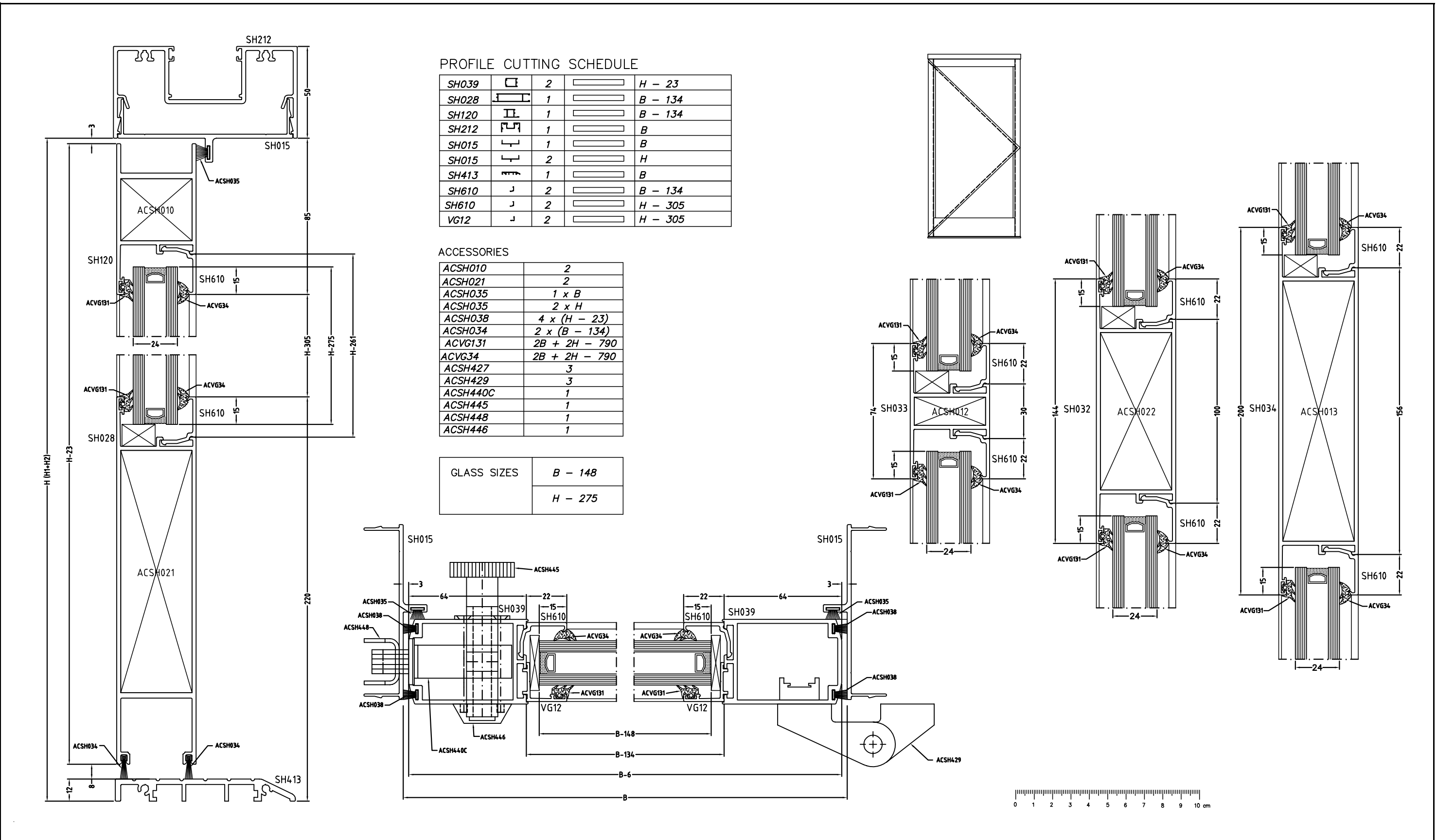
GLASS SIZES	2 X	B/2 - 146
		H - 197



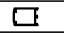
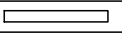
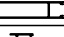
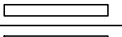
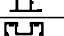
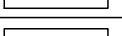
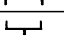
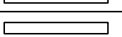
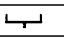

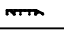
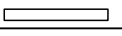
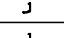
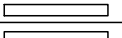
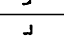
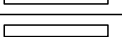
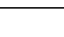
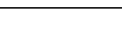




**SECTION**

**SINGLE REBATE DOOR USING SH039 WITH SH028**



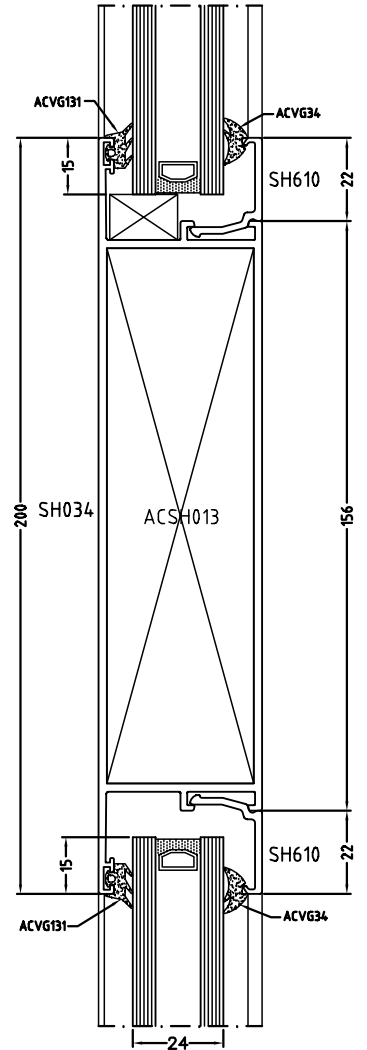
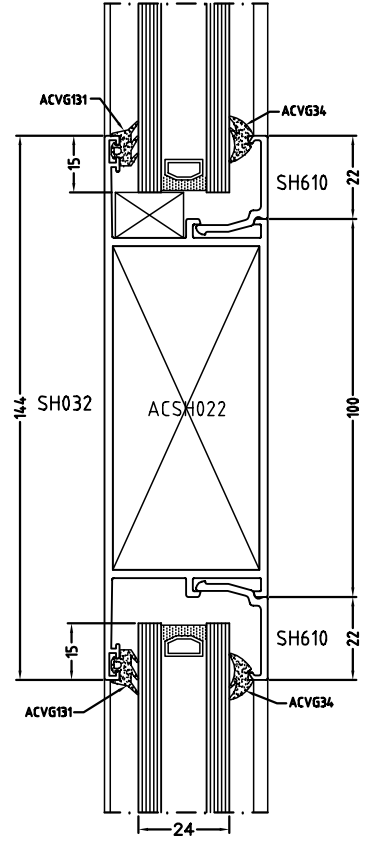
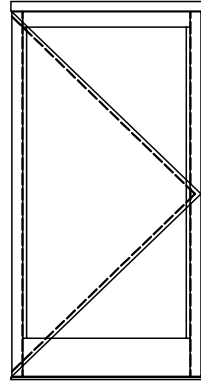
PROFILE CUTTING SCHEDULE

SH039		2		H - 23
SH028		1		B - 134
SH120		1		B - 134
SH212		1		B
SH015		1		B
SH015		2		H
SH413		1		B
SH610		2		B - 134
SH610		2		H - 305
VG12		2		H - 305

ACCESSORIES

ACSH010	2
ACSH021	2
ACSH035	1 x B
ACSH035	2 x H
ACSH038	4 x (H - 23)
ACSH034	2 x (B - 134)
ACVG131	2B + 2H - 790
ACVG34	2B + 2H - 790
ACSH427	3
ACSH429	3
ACSH440C	1
ACSH445	1
ACSH448	1
ACSH446	1

GLASS SIZES	
	B - 148
	H - 275



SECTION

DOUBLE REBATE DOOR USING SH039/SH040 WITH SH028

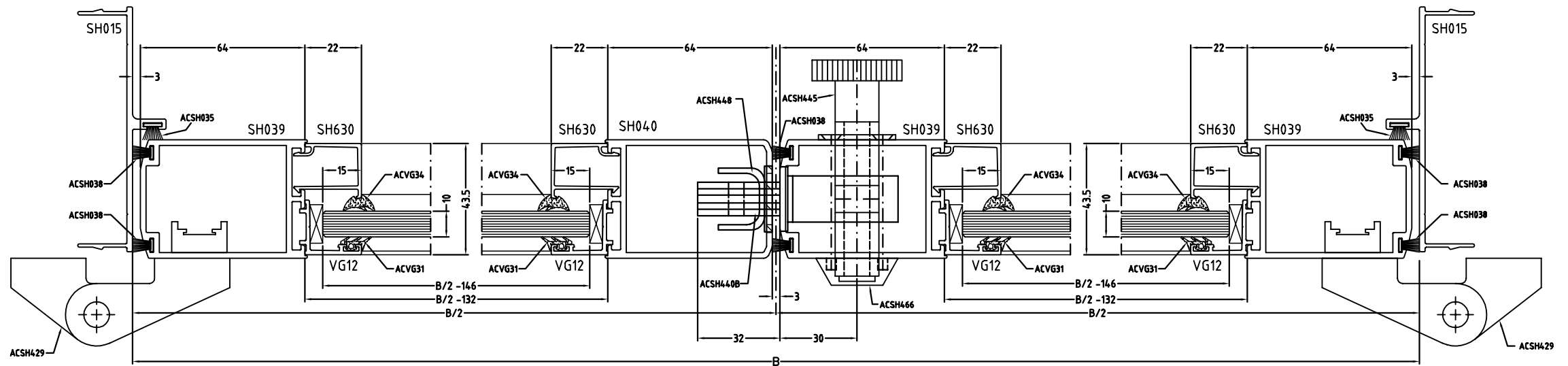
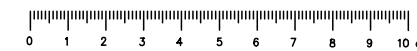
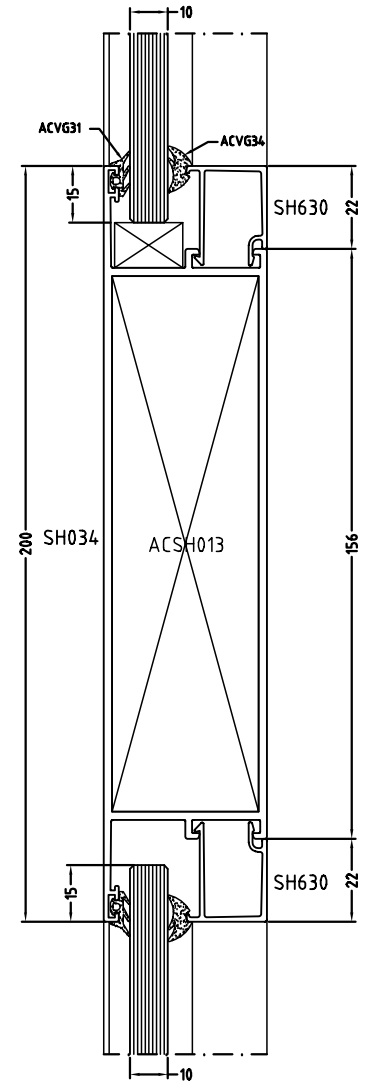
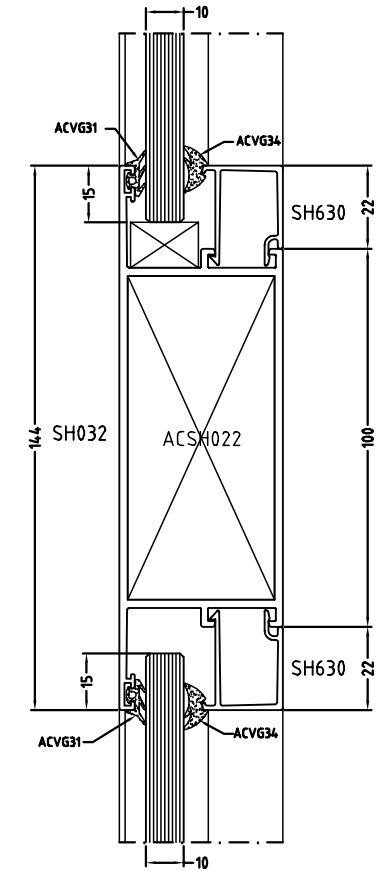
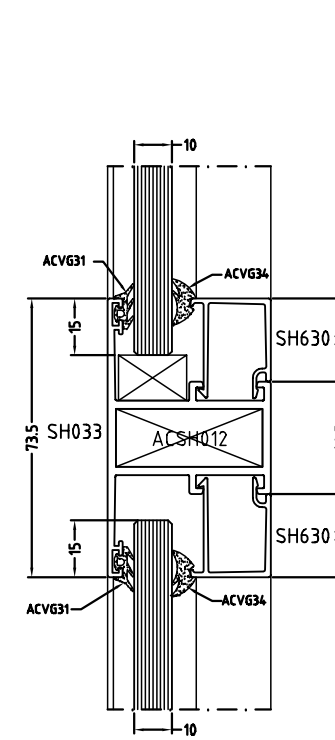
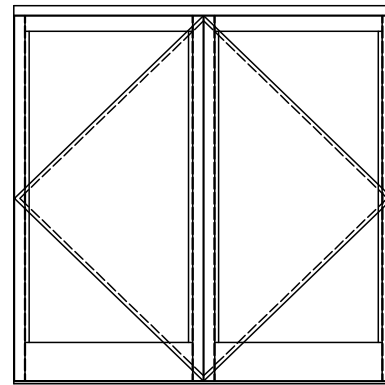
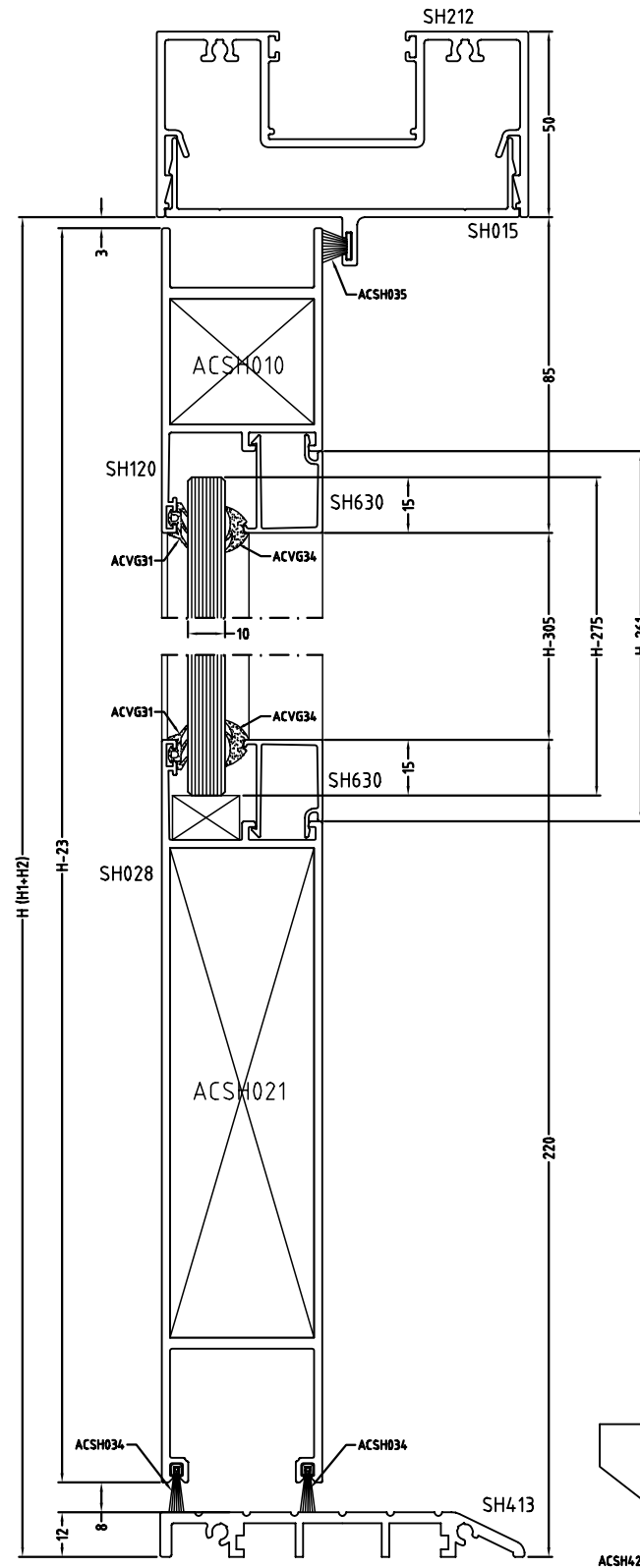
PROFILE CUTTING SCHEDULE

SH039		3		H - 23
SH040		1		H - 23
SH028		2		B/2 - 132
SH120		2		B/2 - 132
SH212		1		B
SH015		1		B
SH015		2		H
SH413		1		B
SH630		4		B/2 - 132
SH630		4		H - 305
VG12		4		H - 305

ACCESSORIES

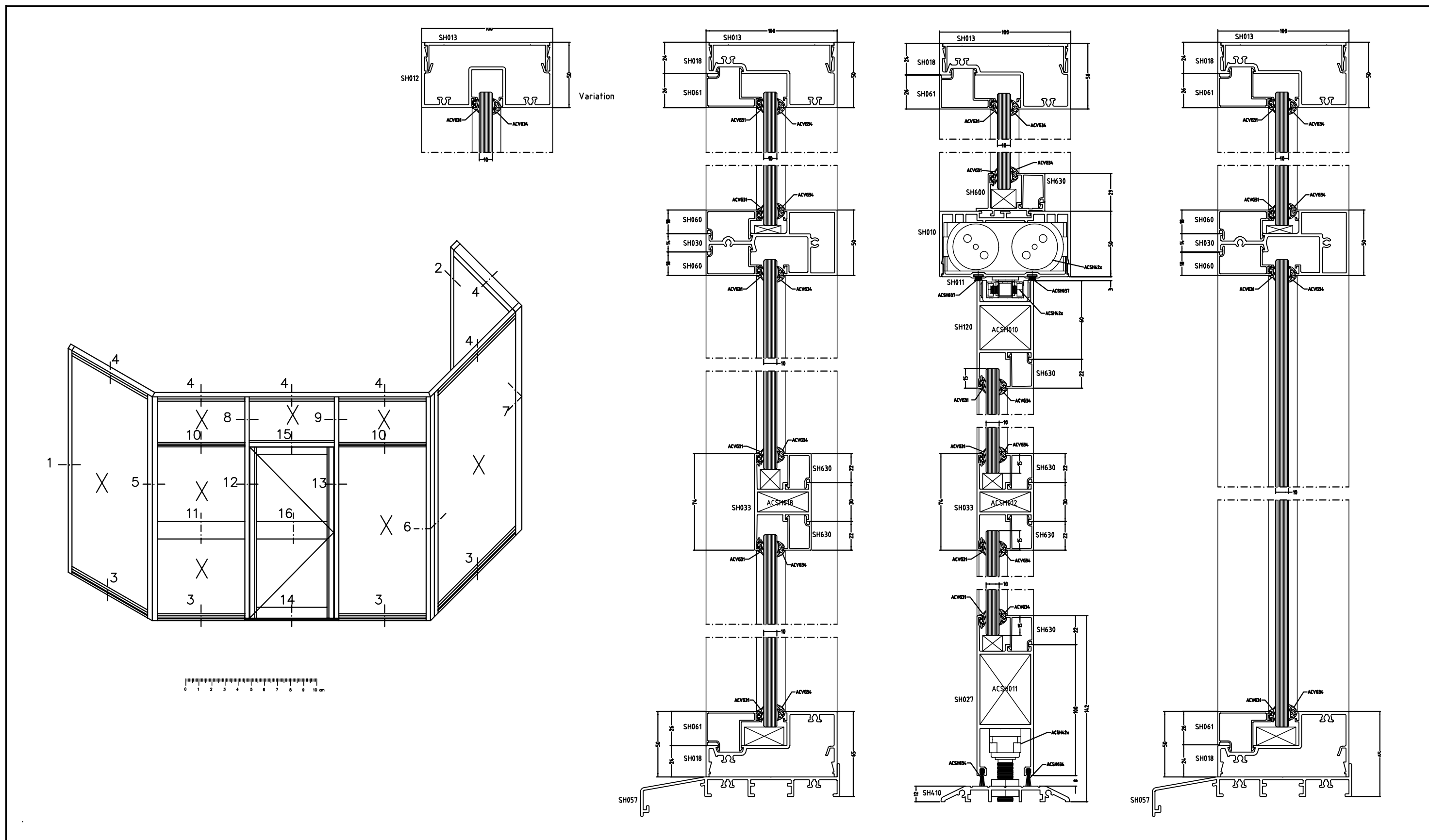
ACSH010	4
ACSH021	4
ACSH035	1 x B
ACSH035	2 x H
ACSH038	6x (H - 23)
ACSH034	4x (B/2 - 132)
ACVG31	4H + 2B - 1570
ACVG34	4H + 2B - 1570
ACSH427	6
ACSH429	6
ACSH440B	1
ACSH445	1
ACSH446	1
ACSH448	1
ACSH432	1

GLASS SIZES	2 X	B/2 - 146
		H - 275



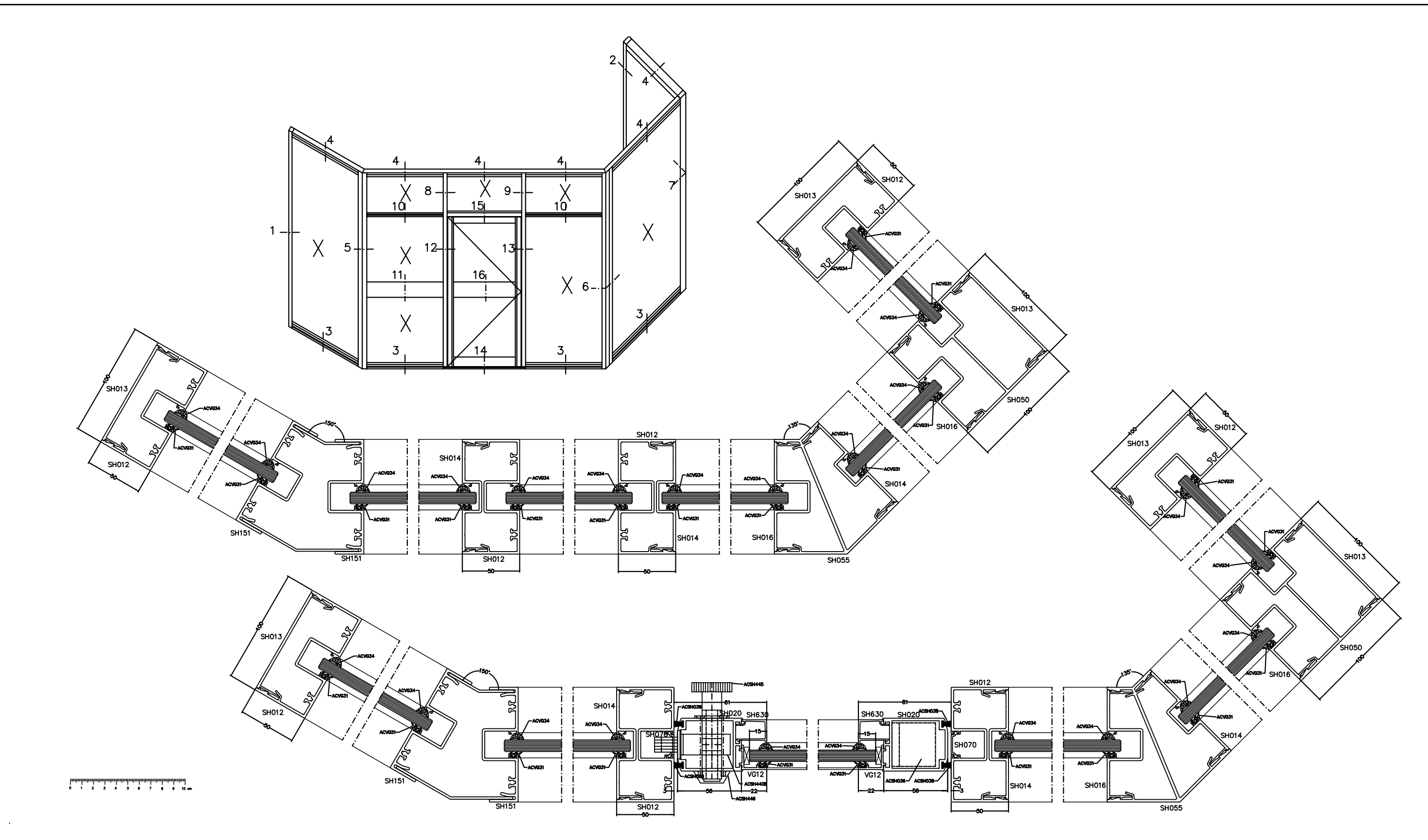
SECTION

VERTICAL SECTION MODEL SINGLE GLAZING



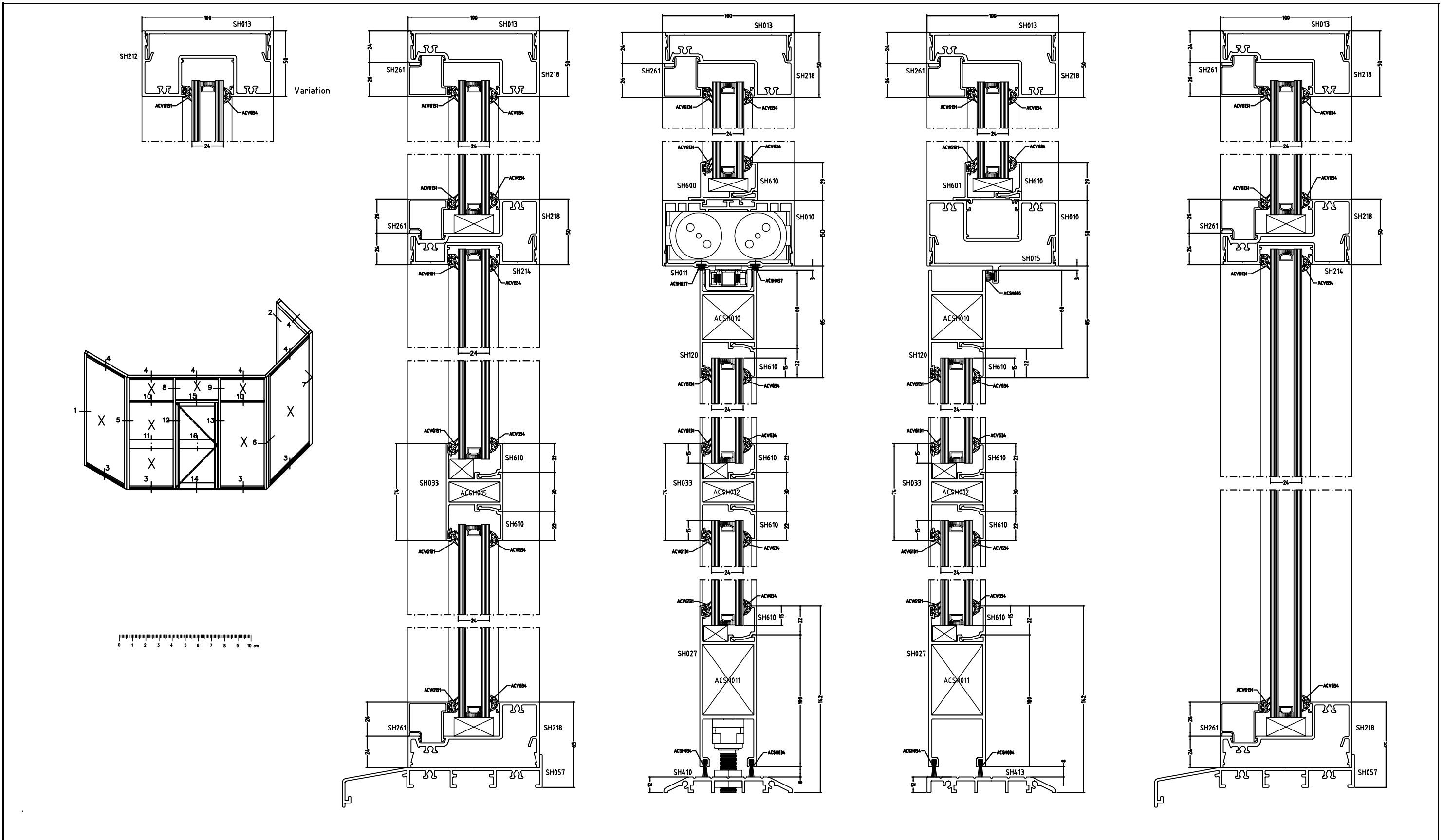
SECTION

HORIZONTAL SECTION MODEL SINGLE GLAZING



**SECTION**

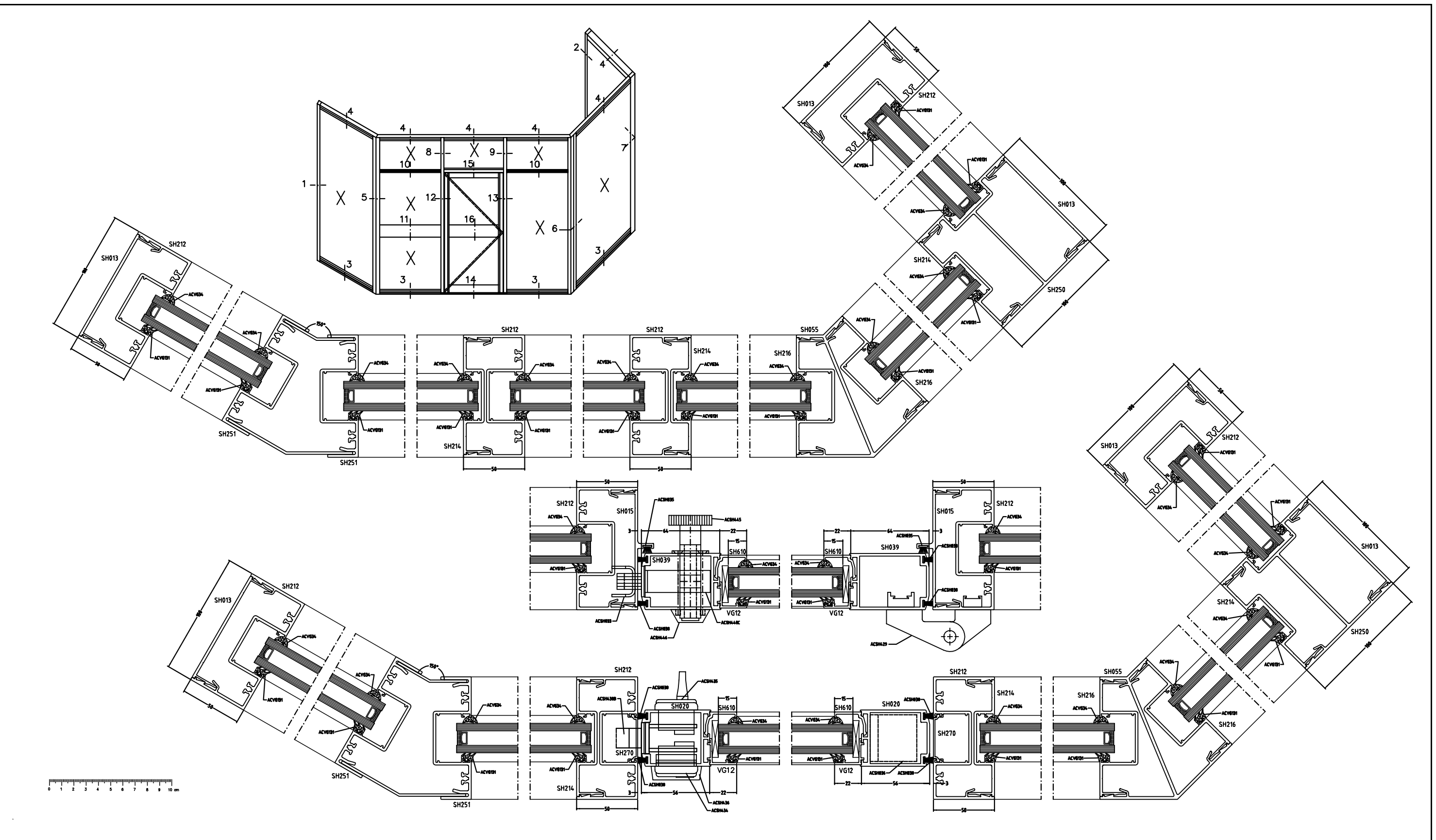
**VERTICAL SECTION MODEL DOUBLE GLAZING**

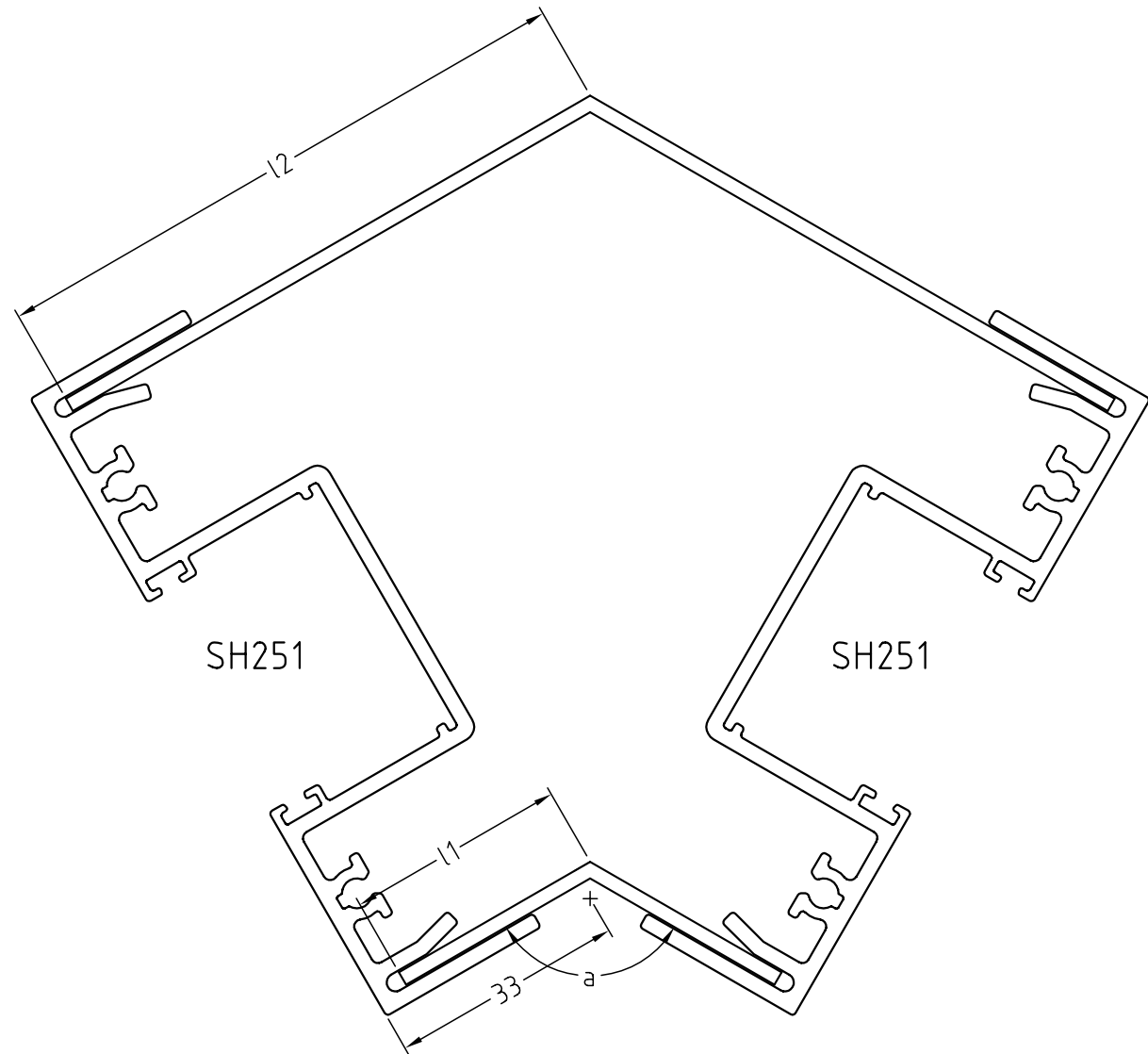




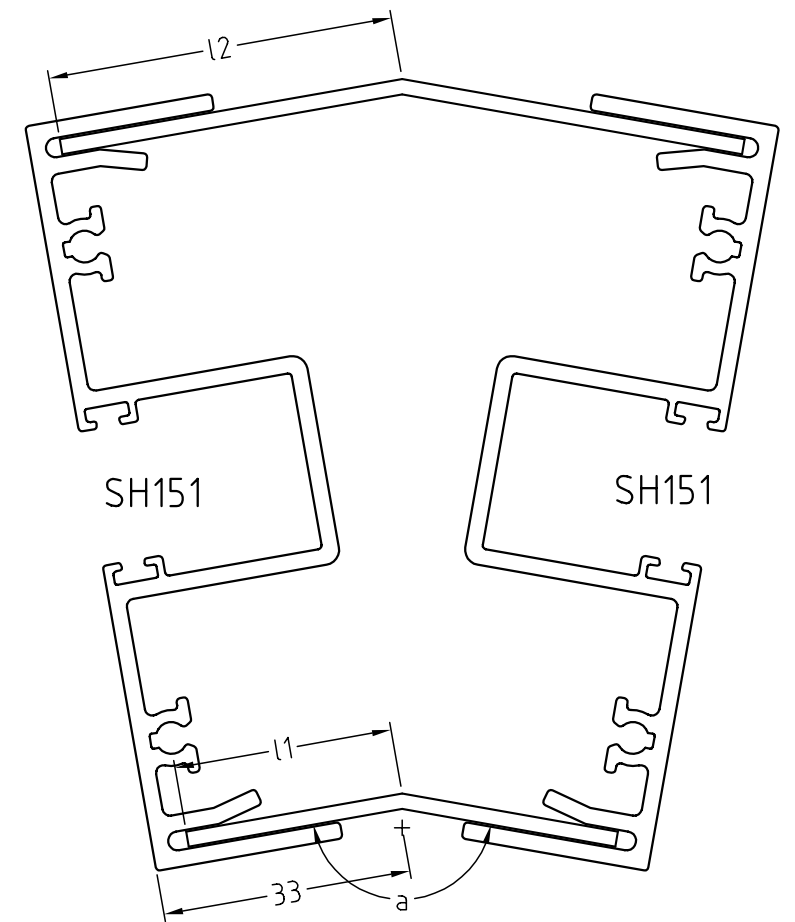
SECTION

HORIZONTAL SECTION MODEL DOUBLE GLAZING



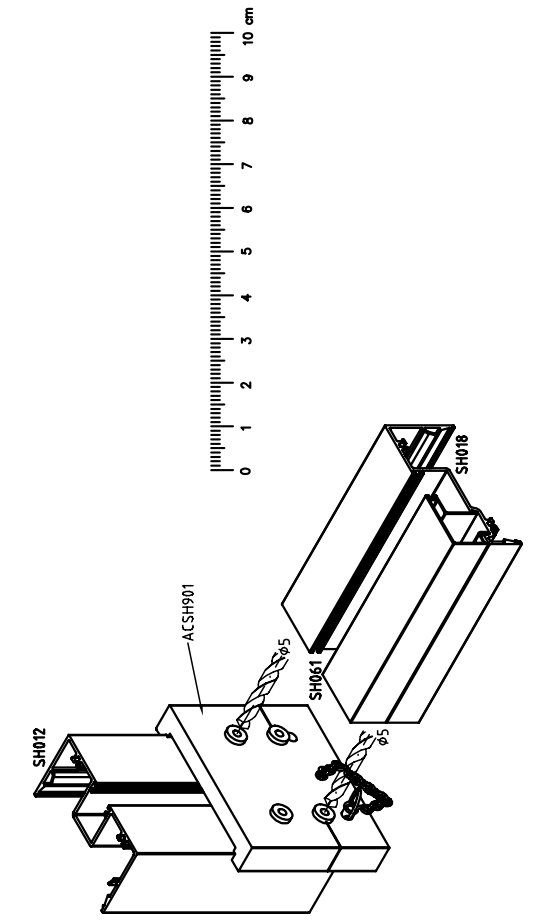
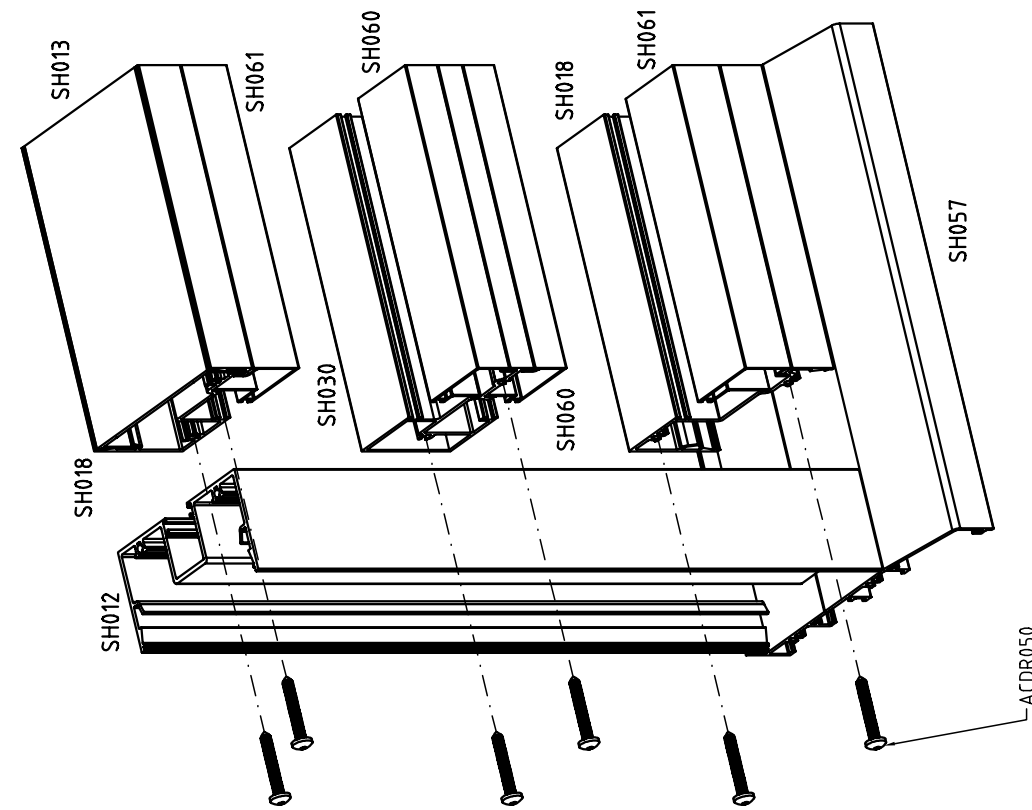
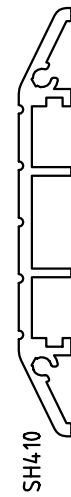
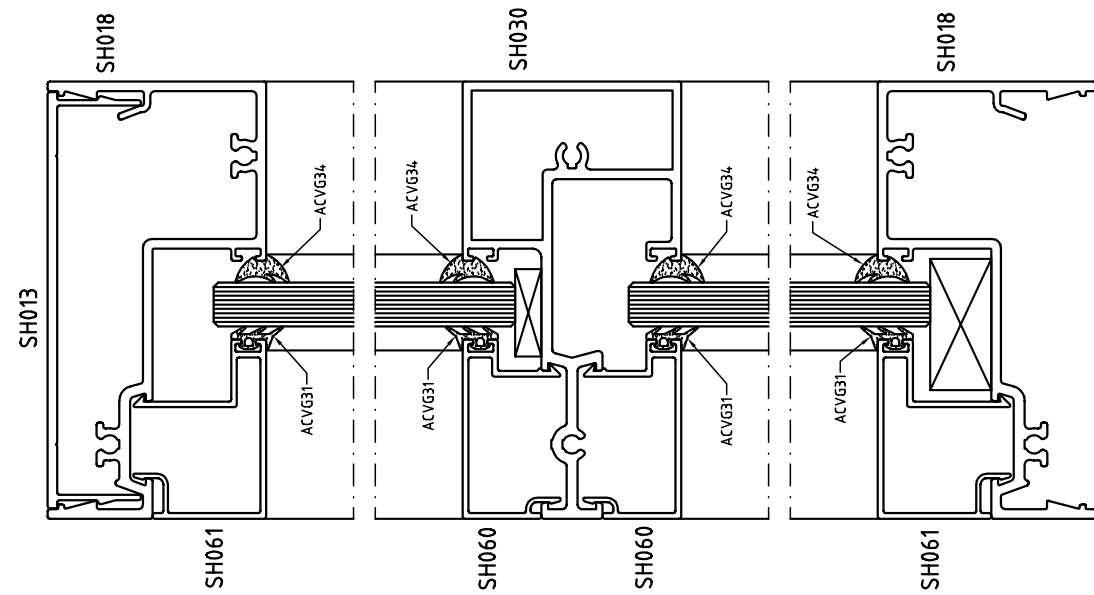
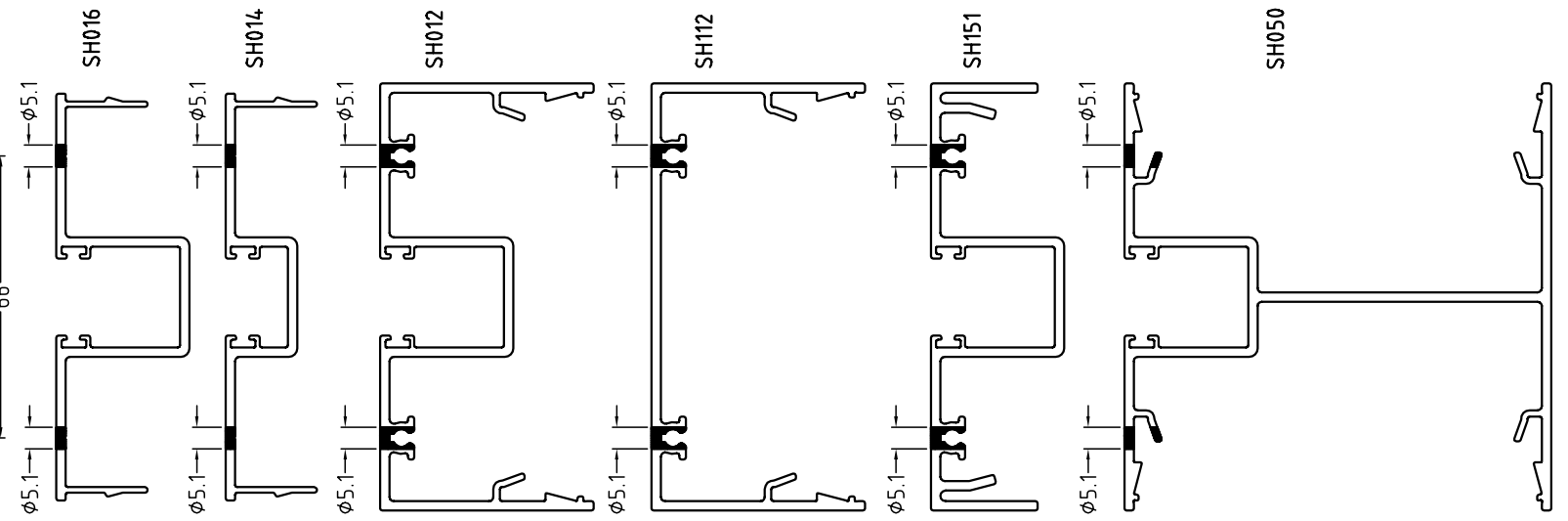
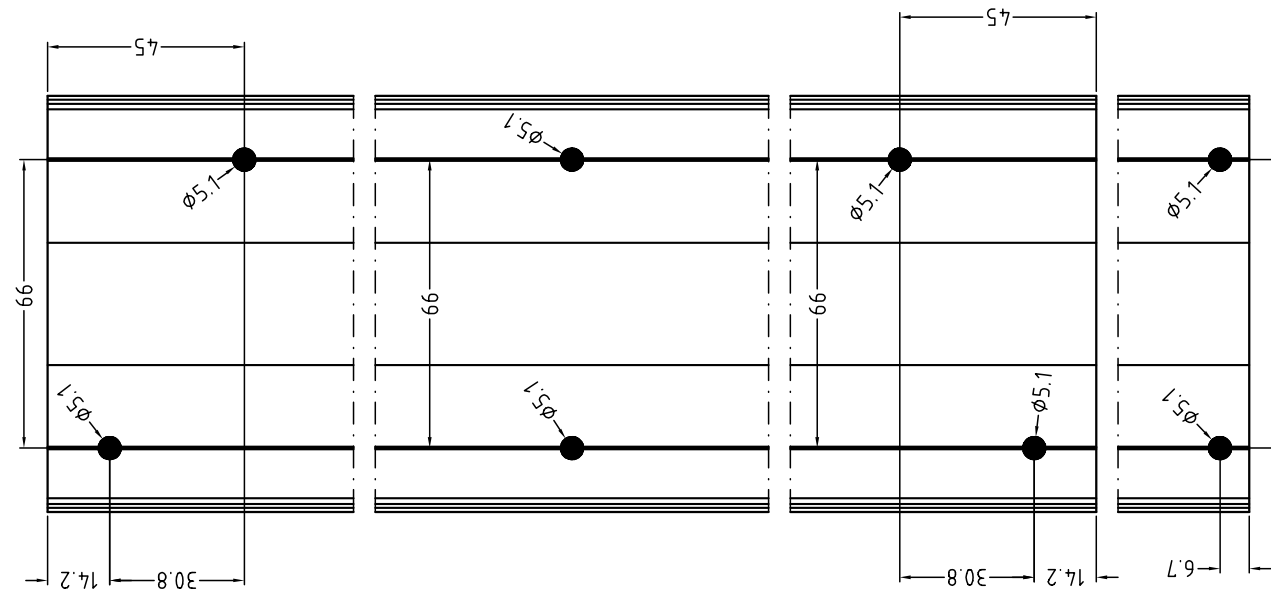
**SECTION**
**CORNER PROFILES BETWEEN 95° AND 175°**


a	l1	l2
95°	32	117
100°	32	110
105°	32	103
110°	31	96
115°	31	90
120°	31	85
125°	31	79
130°	30	74
135°	30	69
140°	30	64
145°	30	59
150°	30	54
155°	29	50
160°	29	46
165°	29	41
170°	29	37
175°	29	33



SECTION

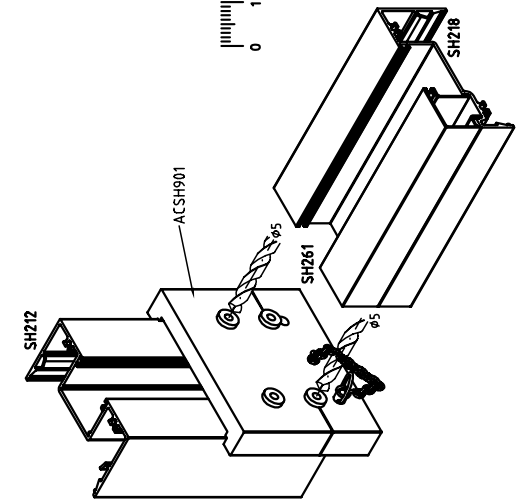
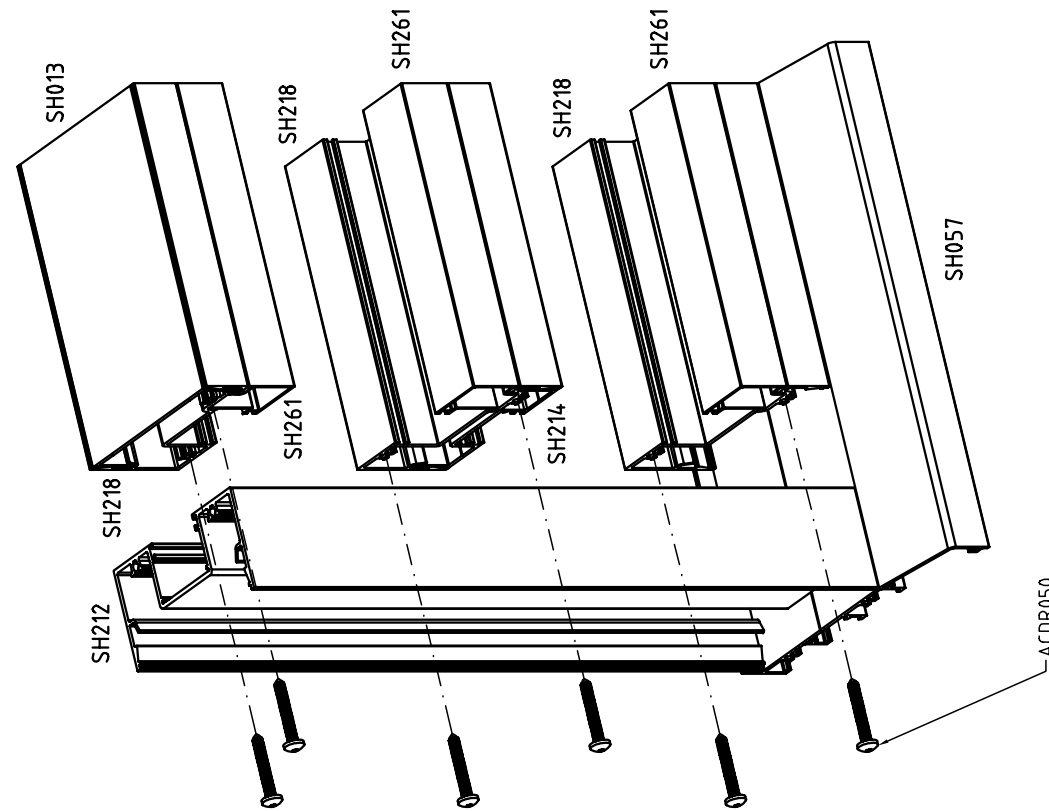
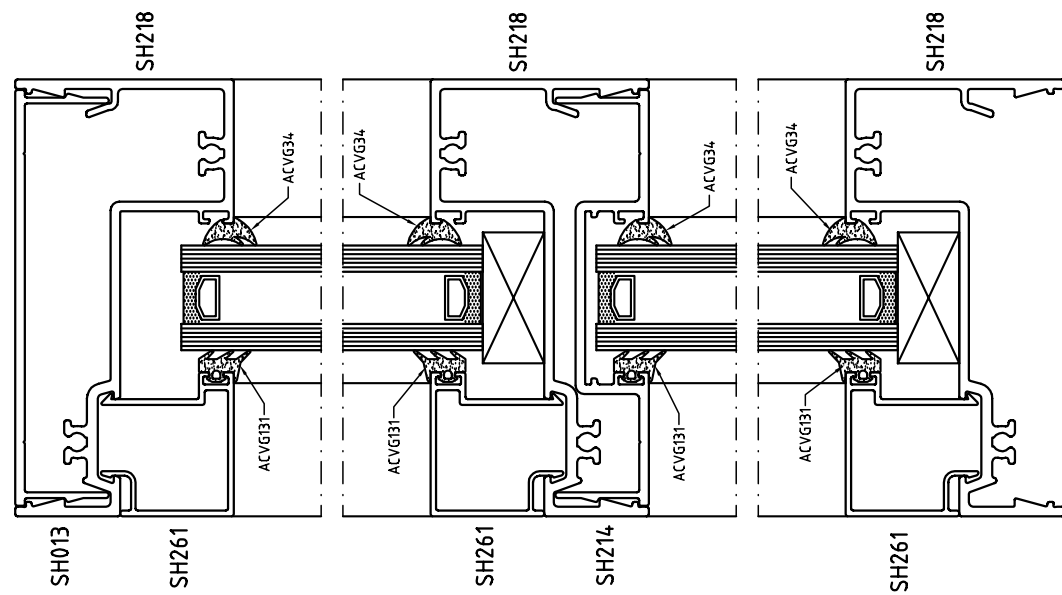
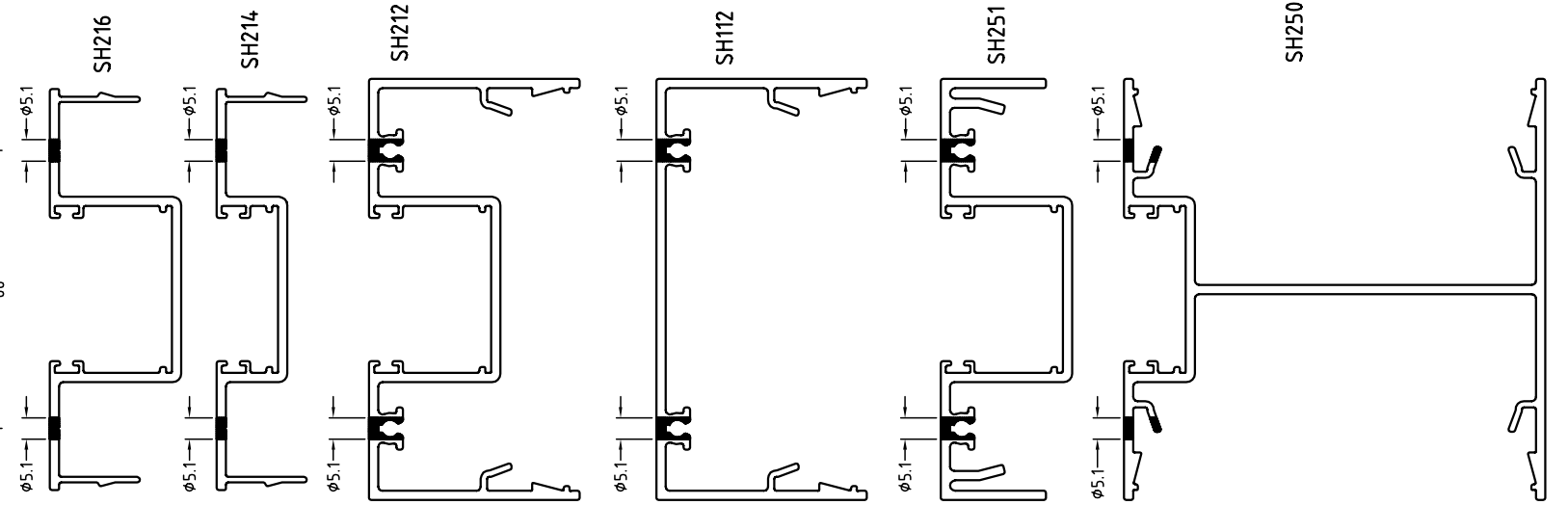
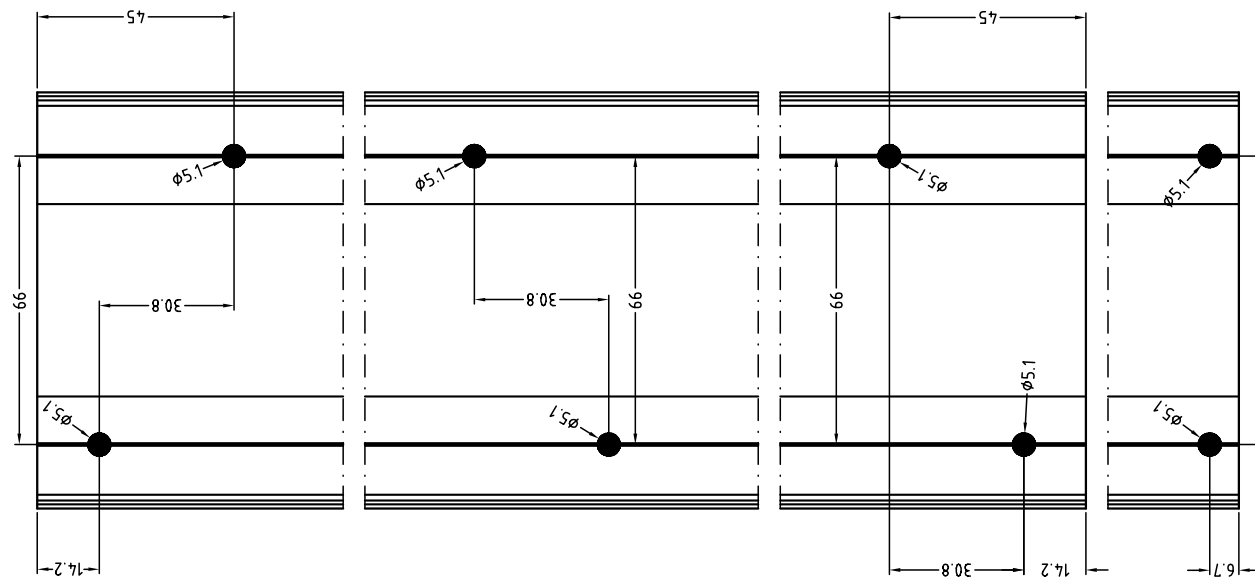
TRANSOM ASSEMBLY SINGLE GLAZING





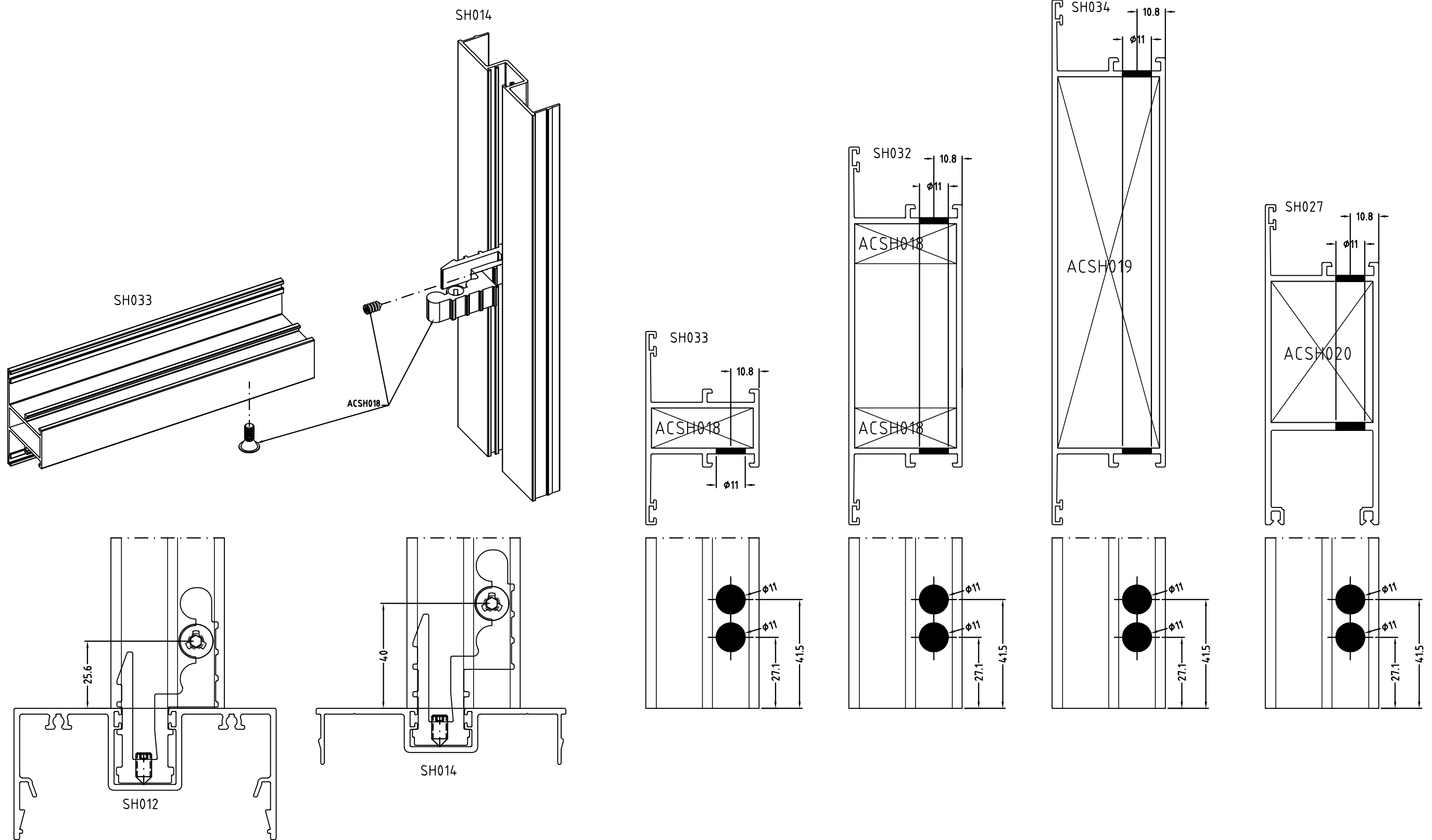
**SECTION**

**TRANSOM ASSEMBLY DOUBLE GLAZING**



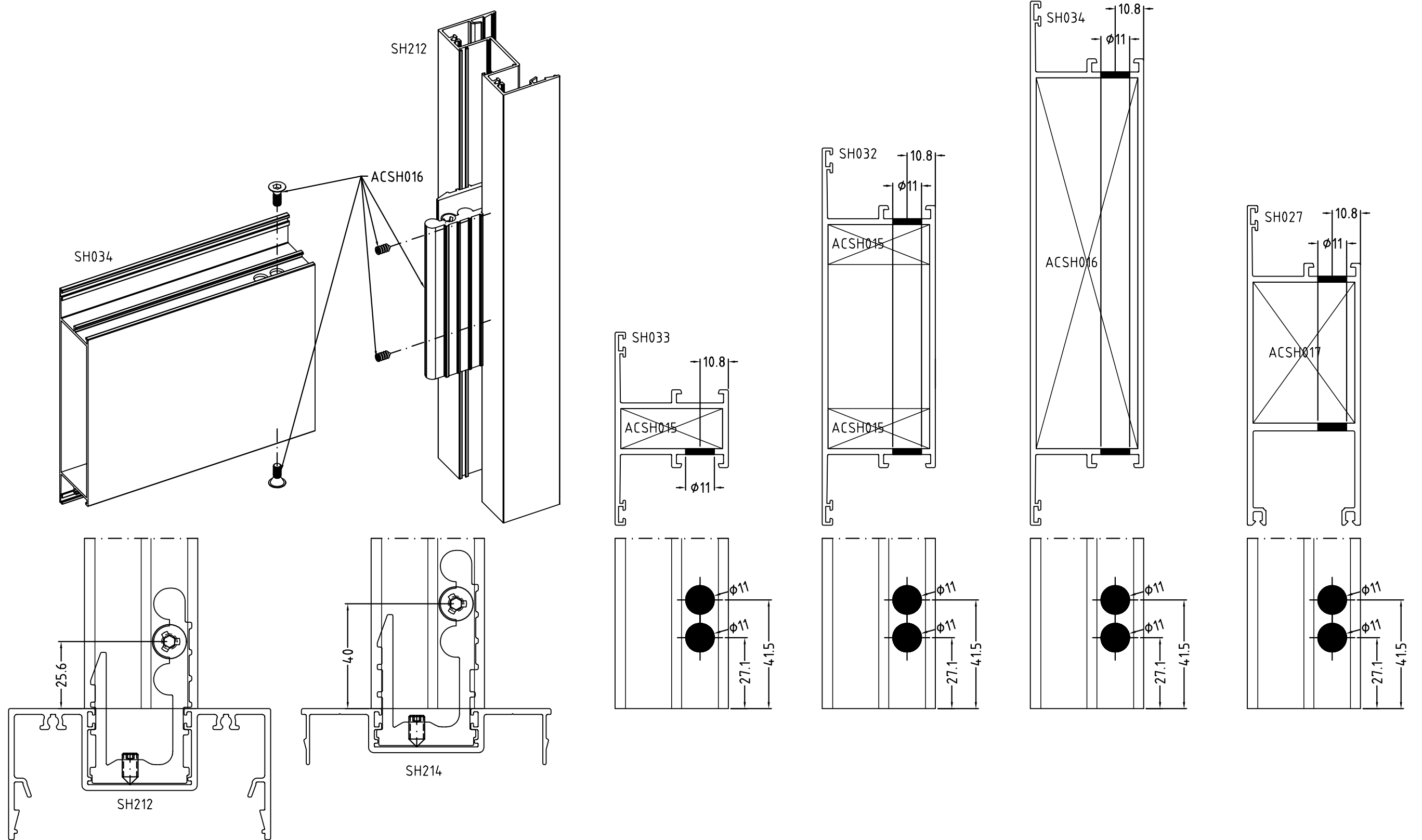
SECTION

MIDRAIL ASSEMBLY SINGLE GLAZING



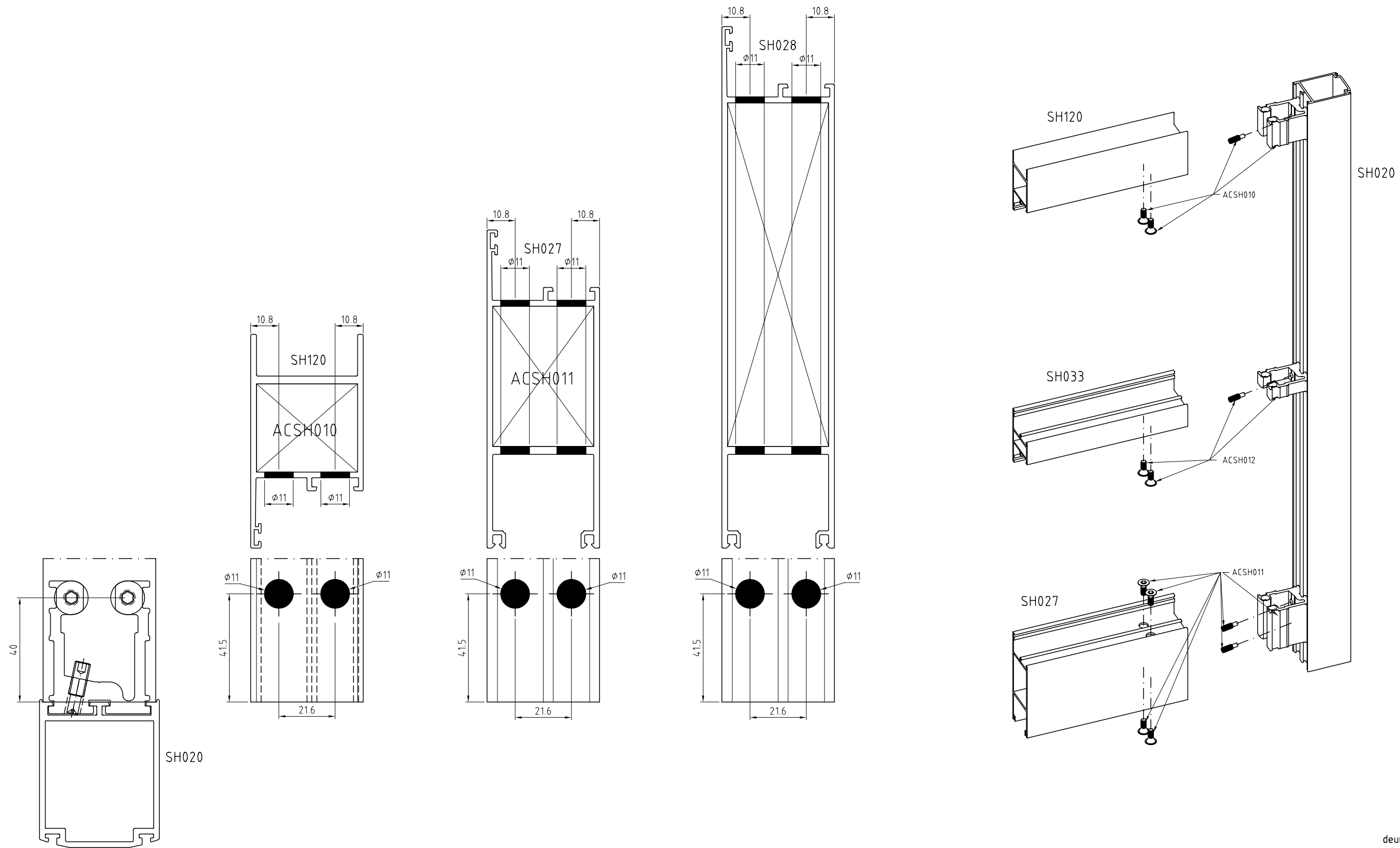
**SECTION**

**TRANSOM ASSEMBLY DOUBLE GLAZING**



SECTION

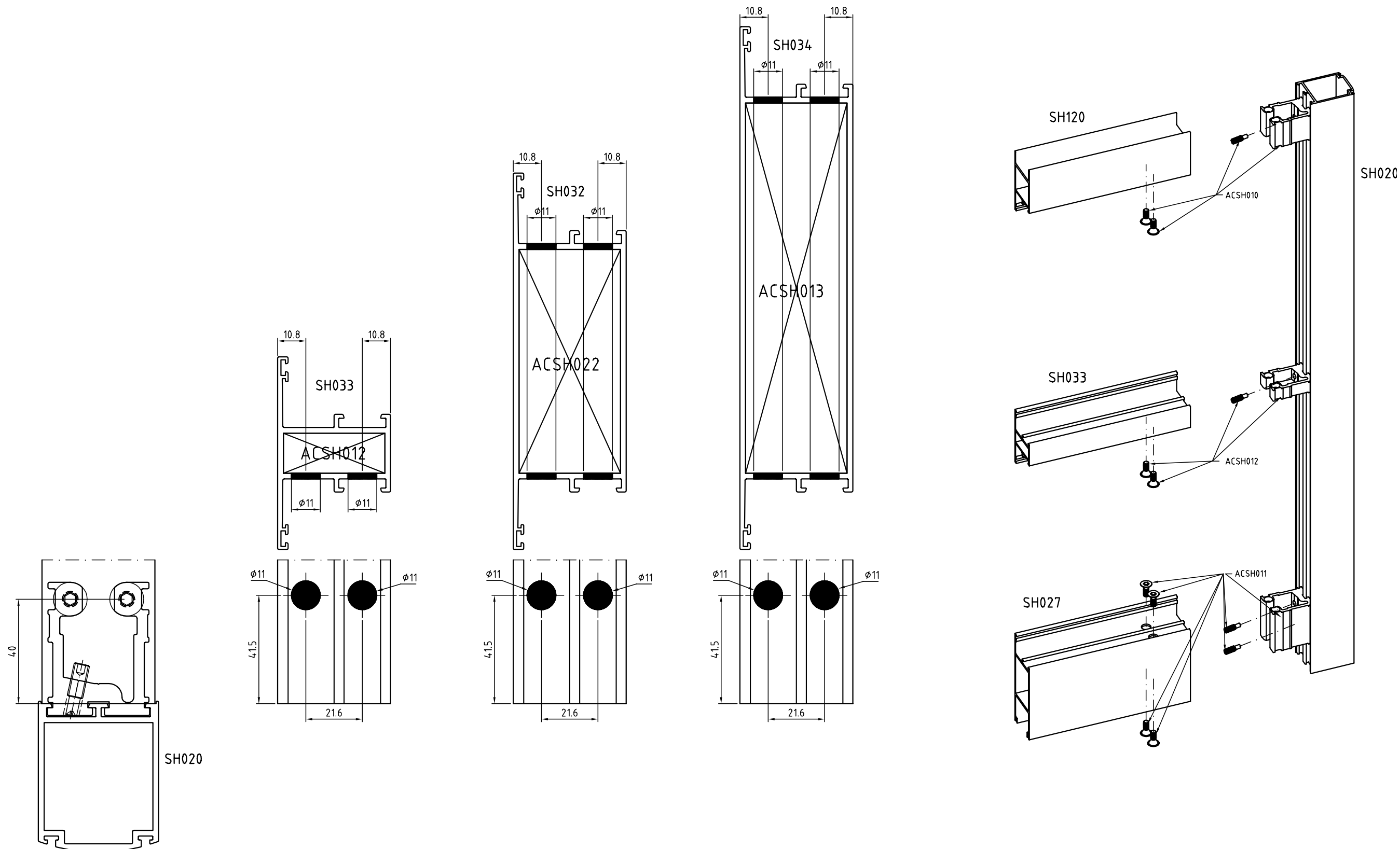
DOOR ASSEMBLY PROFILE



deur3dA

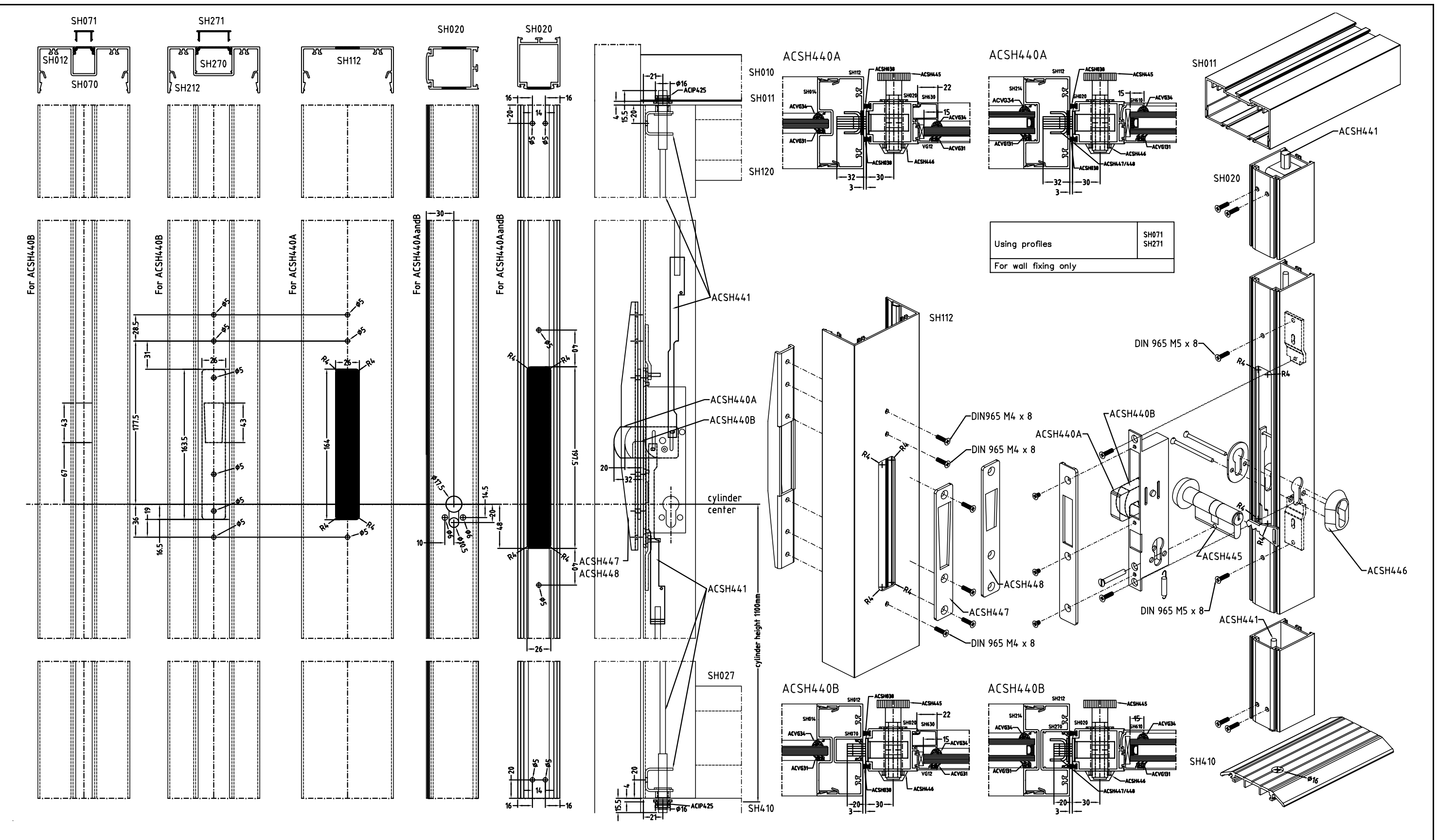
SECTION

DOOR ASSEMBLY PROFILE



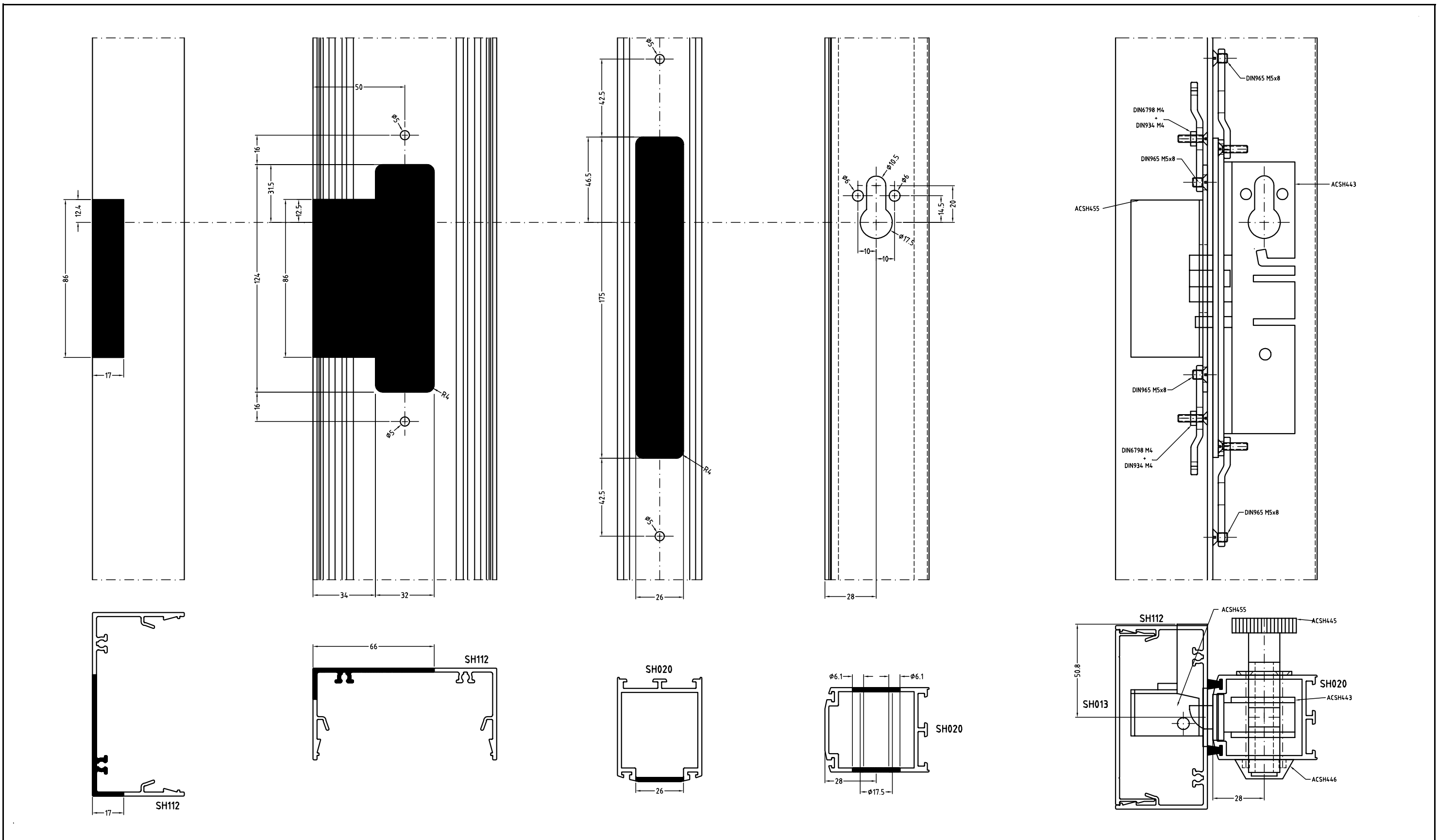
SECTION

PREPARATION FOR LOCK ACSH440A - ACSH440B AND ACSH441



**SECTION**

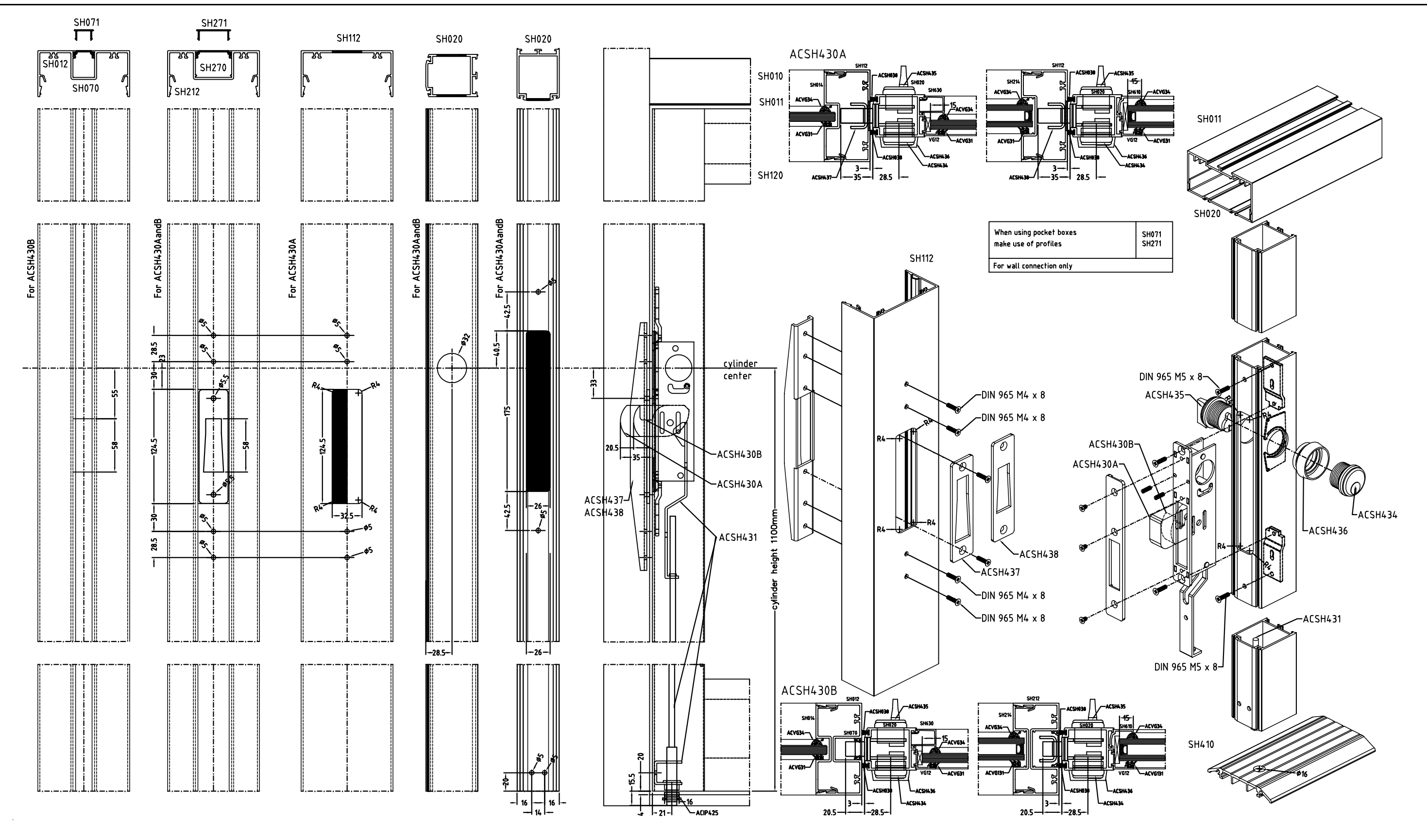
**PREPARATION FOR LOCK ACSH455 WITH ACSH443**





SECTION

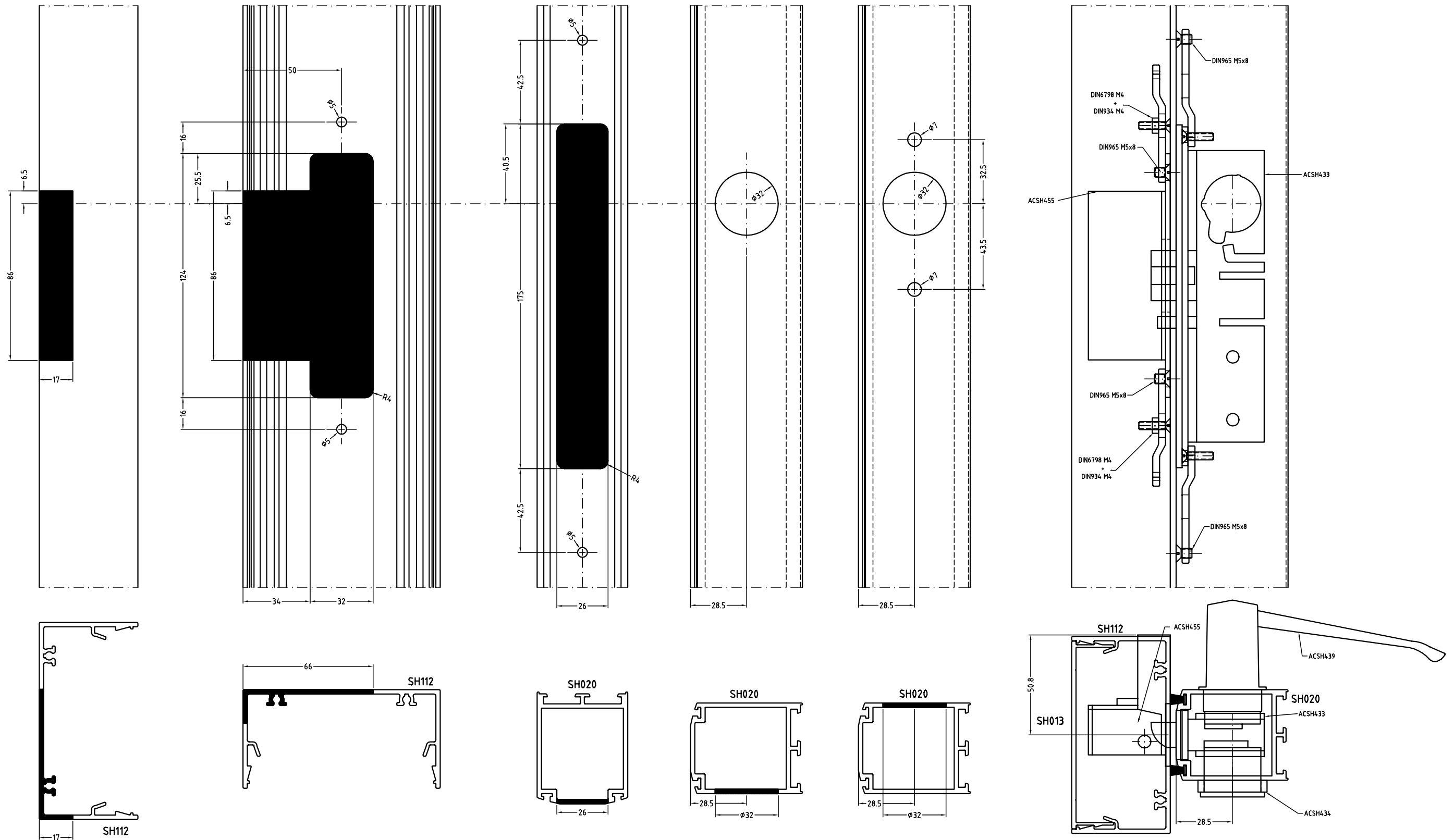
PREPARATION FOR LOCK ACSH430A - ACSH430B AND ACSH431





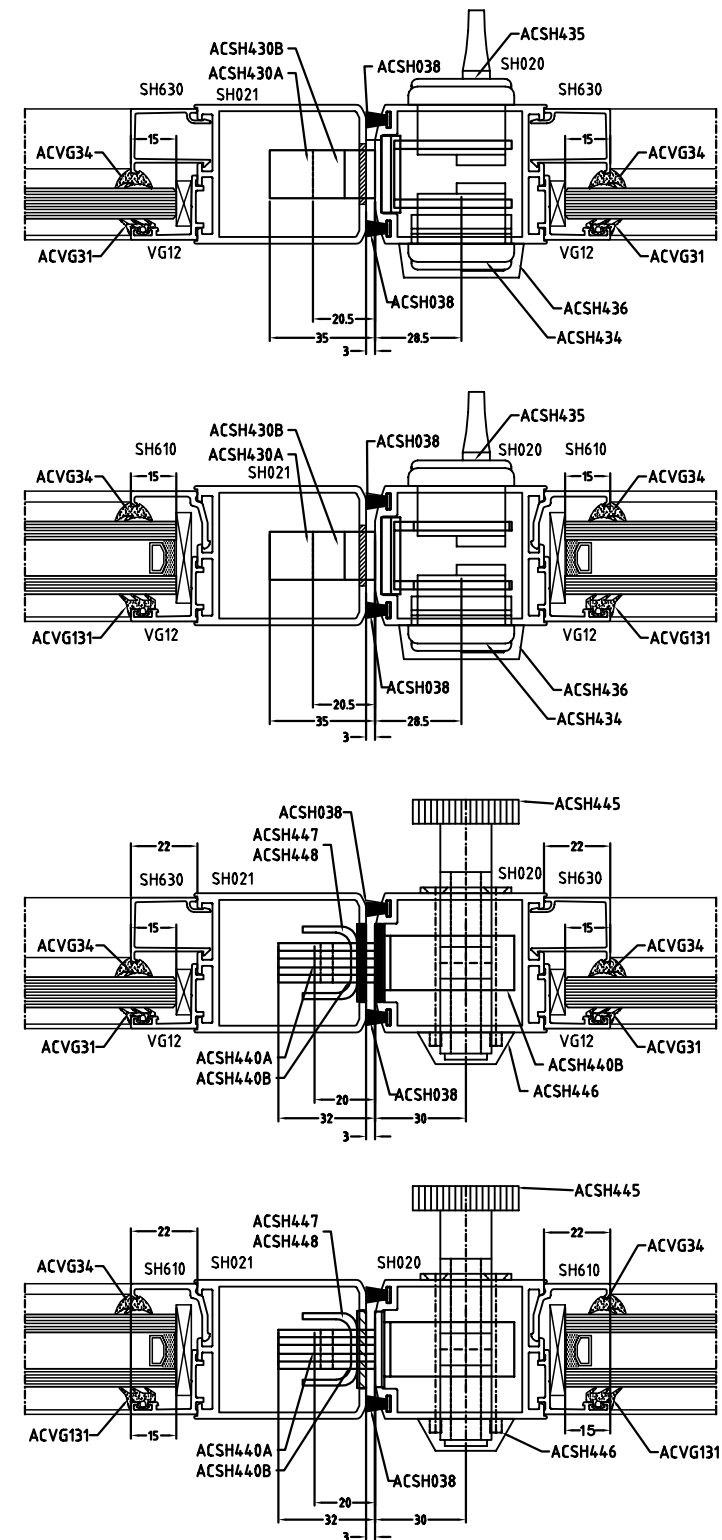
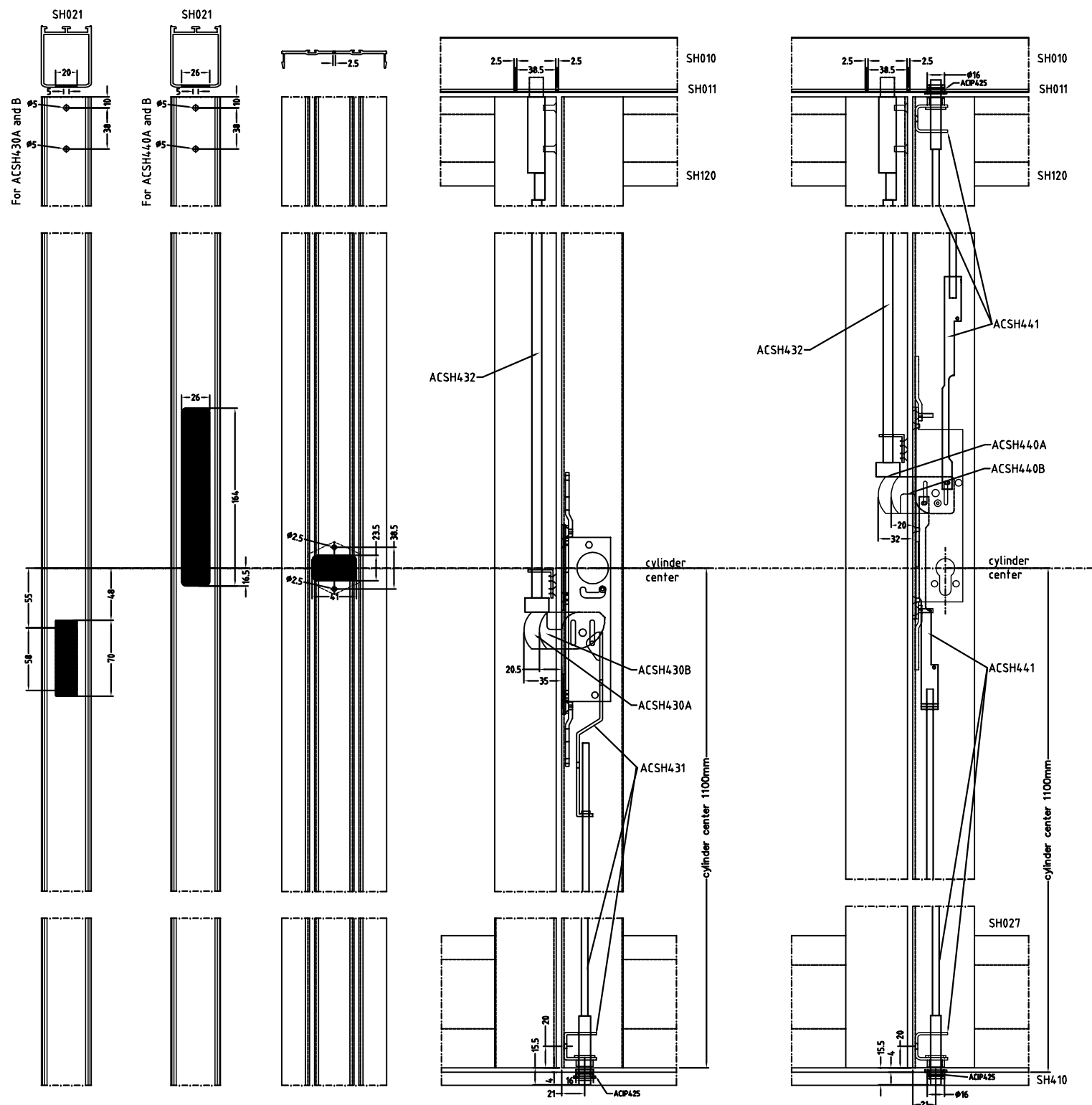
SECTION

PREPARATION FOR LOCK ACSH455 WITH ACSH433



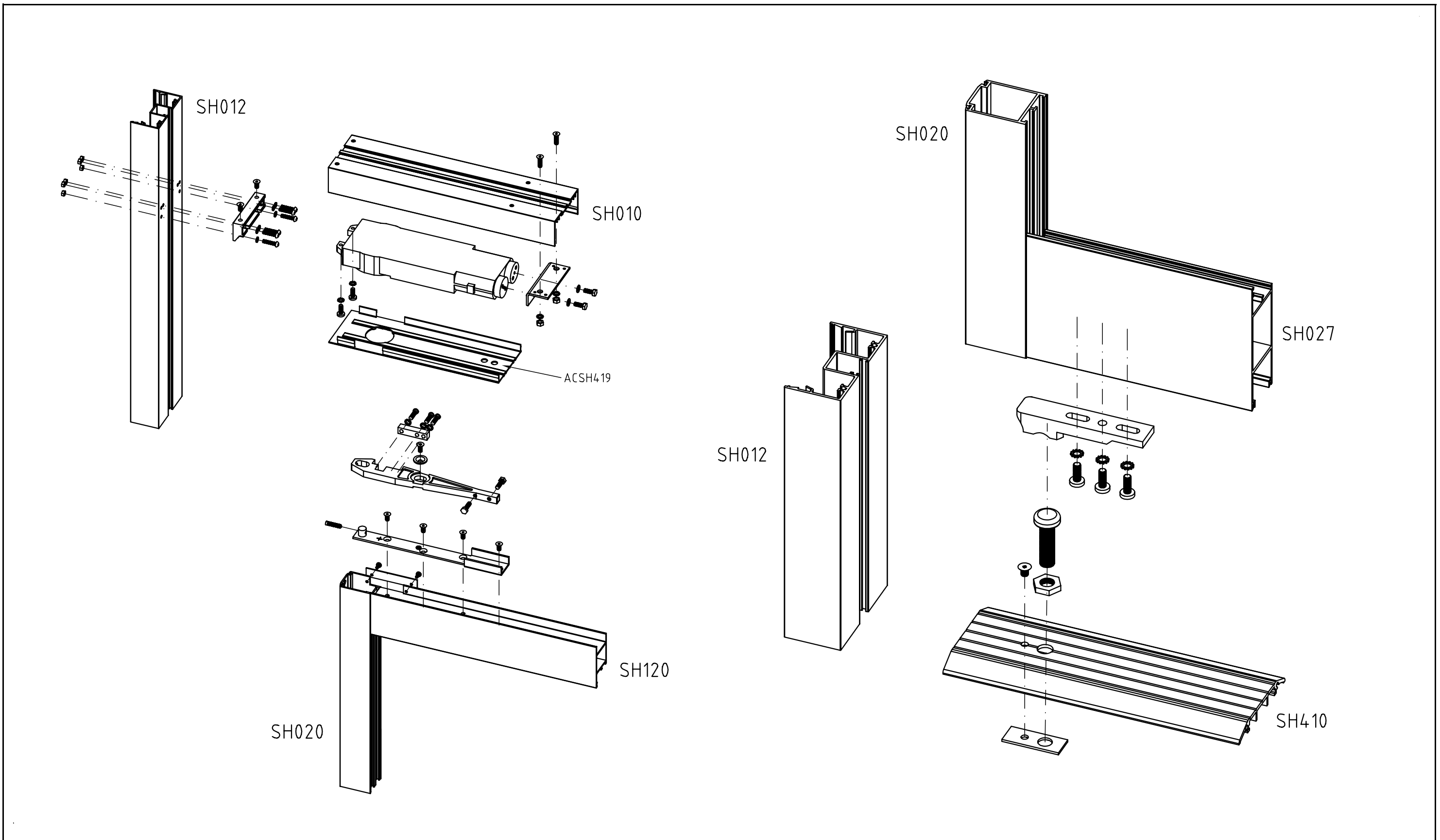
SECTION

PREPARATION FOR ACSH432



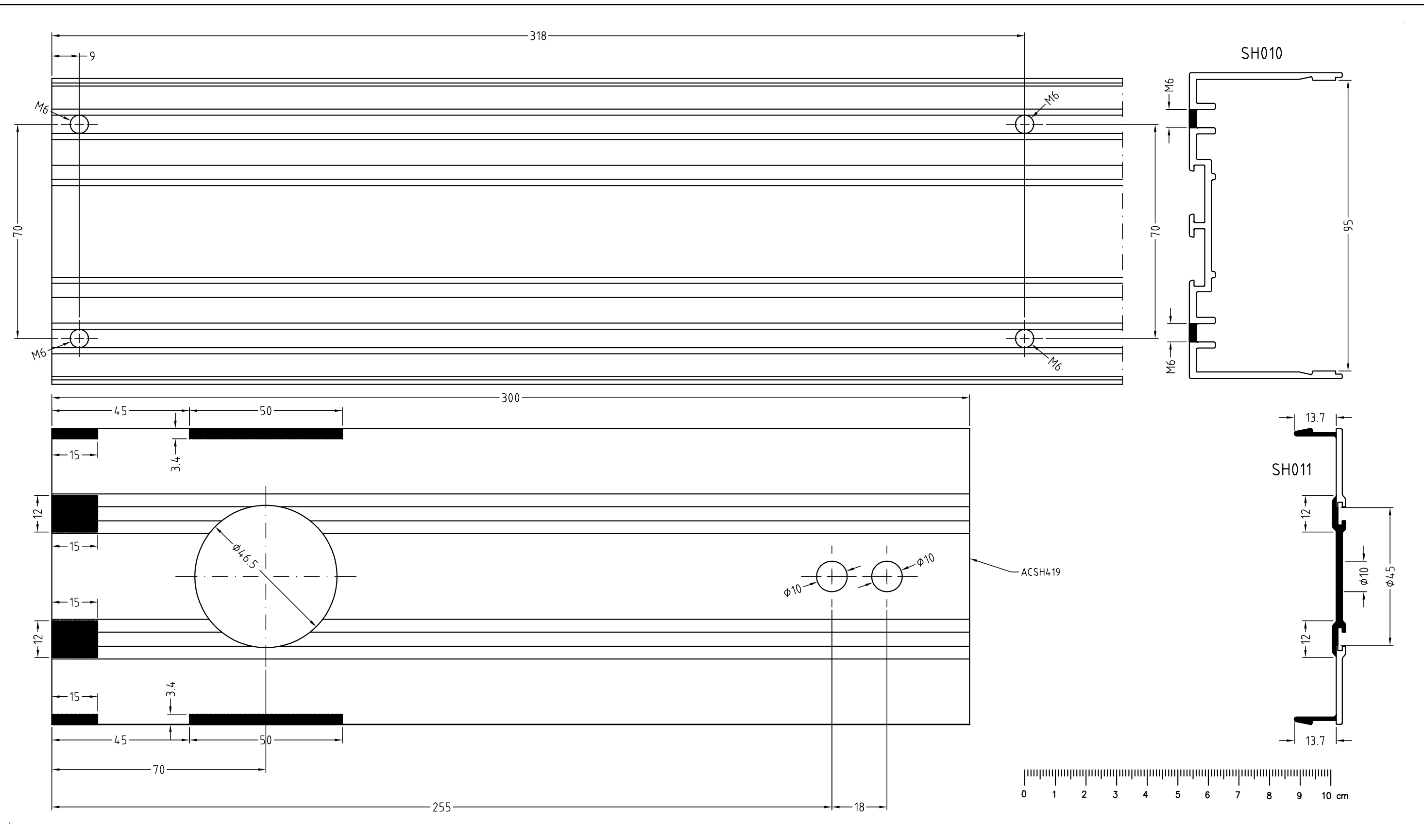
SECTION

ASSEMBLY ACSH420A - ACSH422B



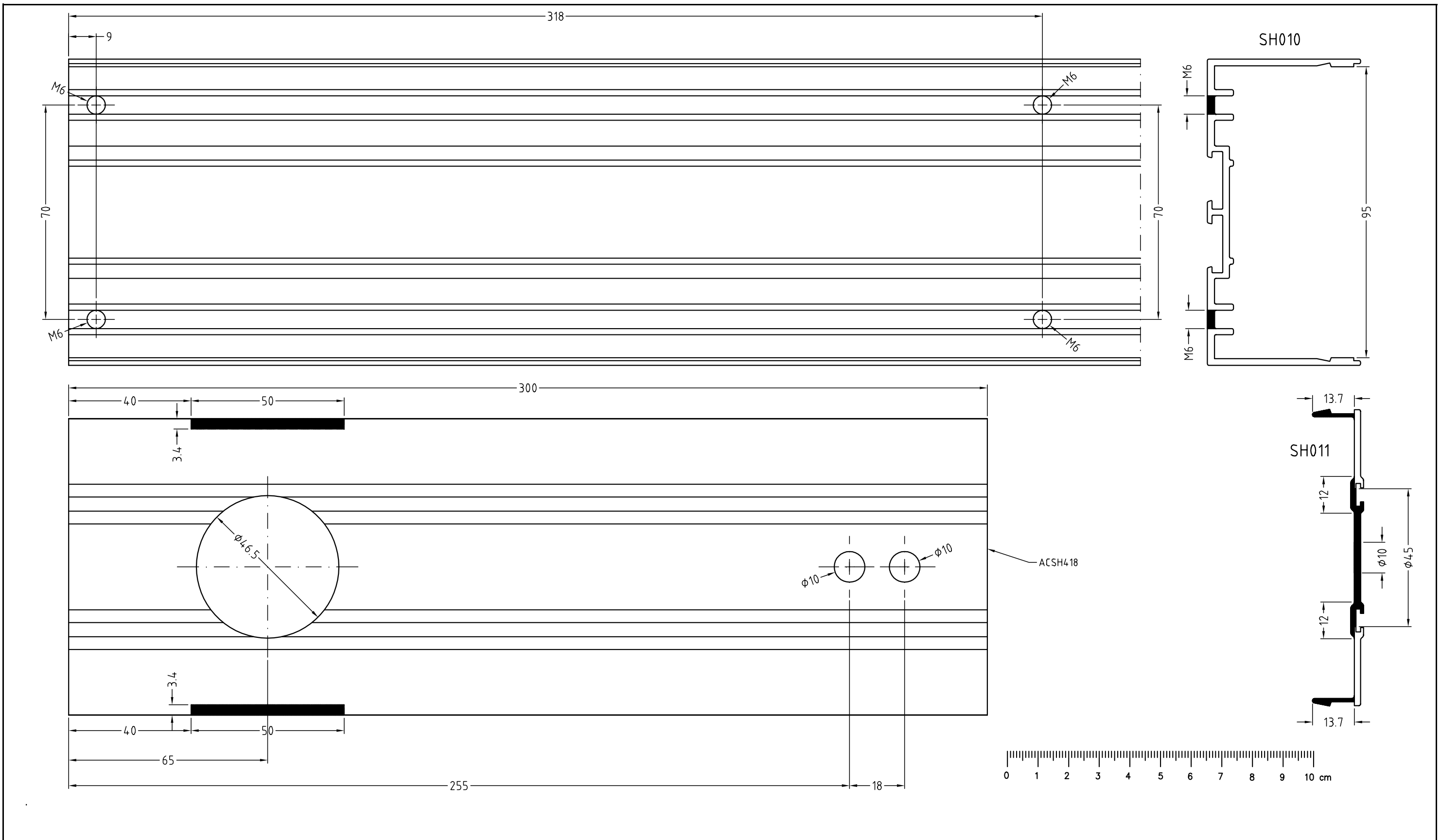
SECTION

PREPARATION FOR ACSH420A - ACSH422B



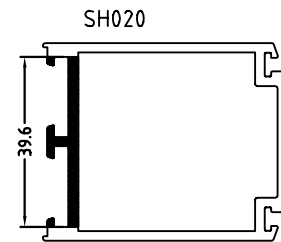
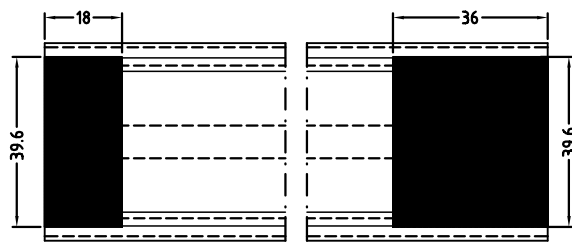
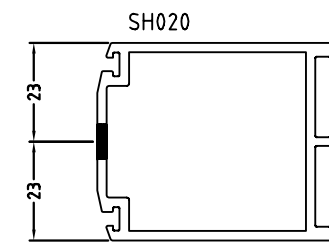
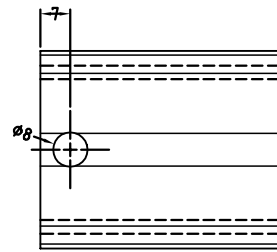
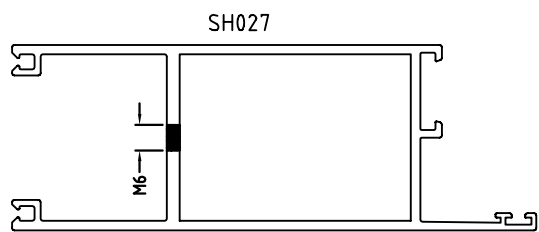
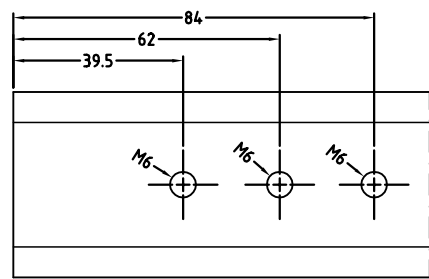
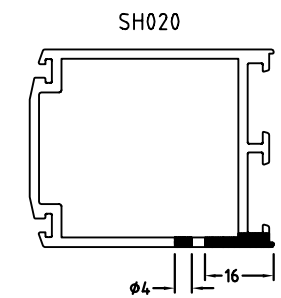
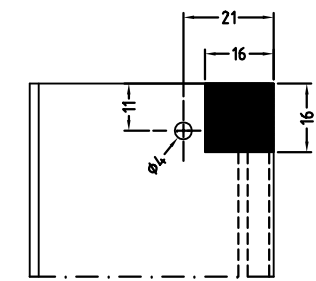
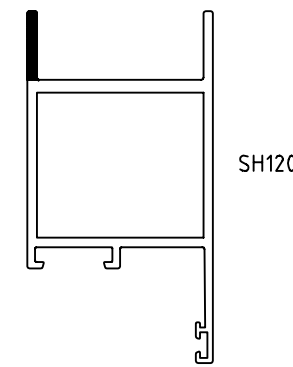
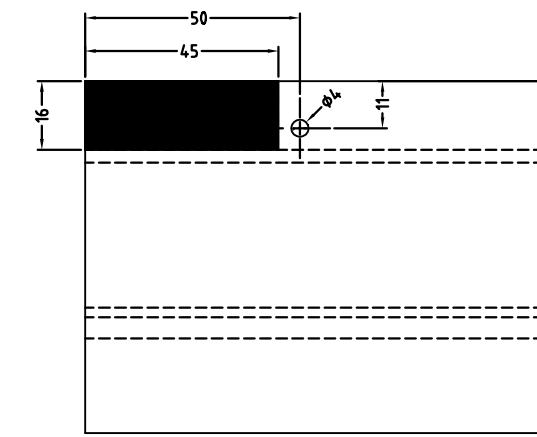
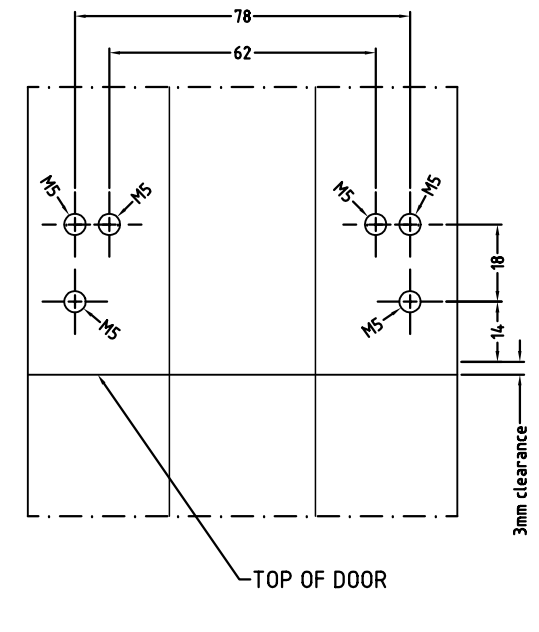
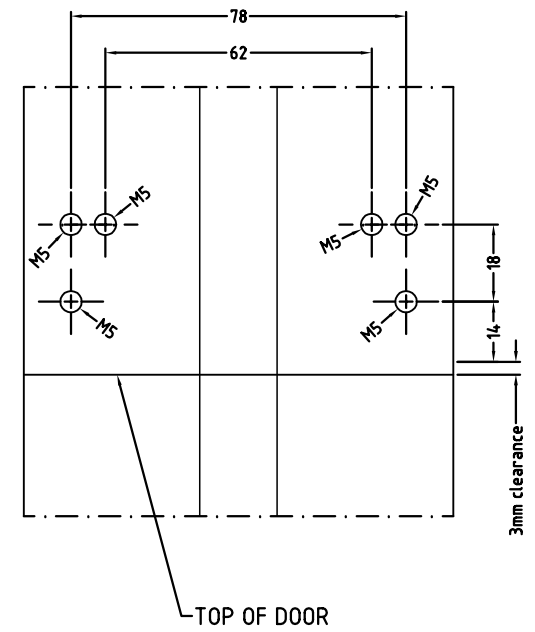
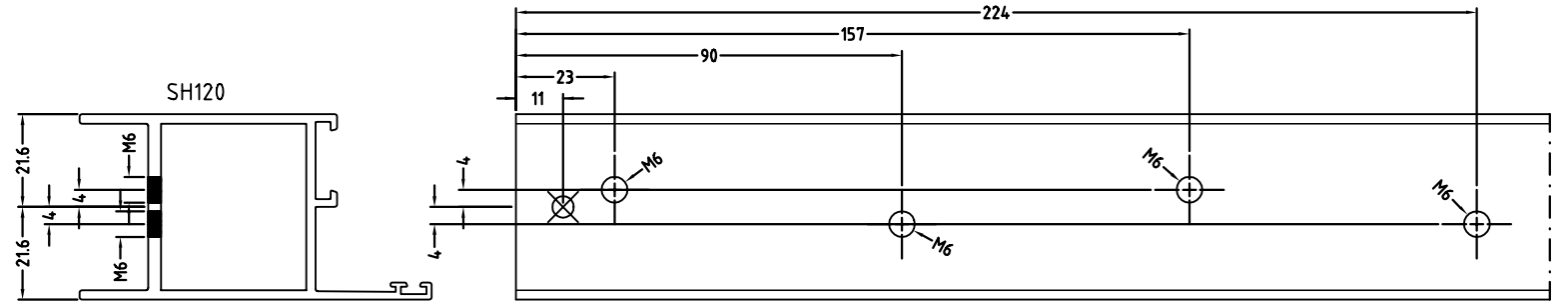
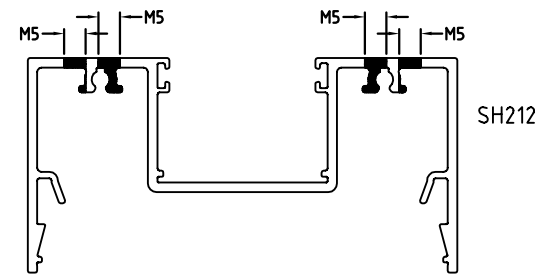
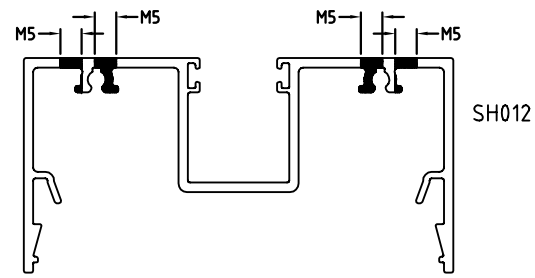
**SECTION**

**PREPARATION FOR ACSH423x**

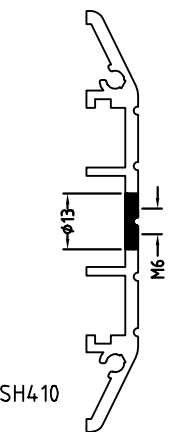
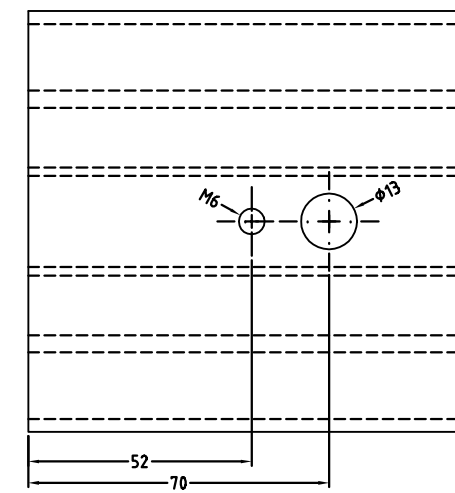


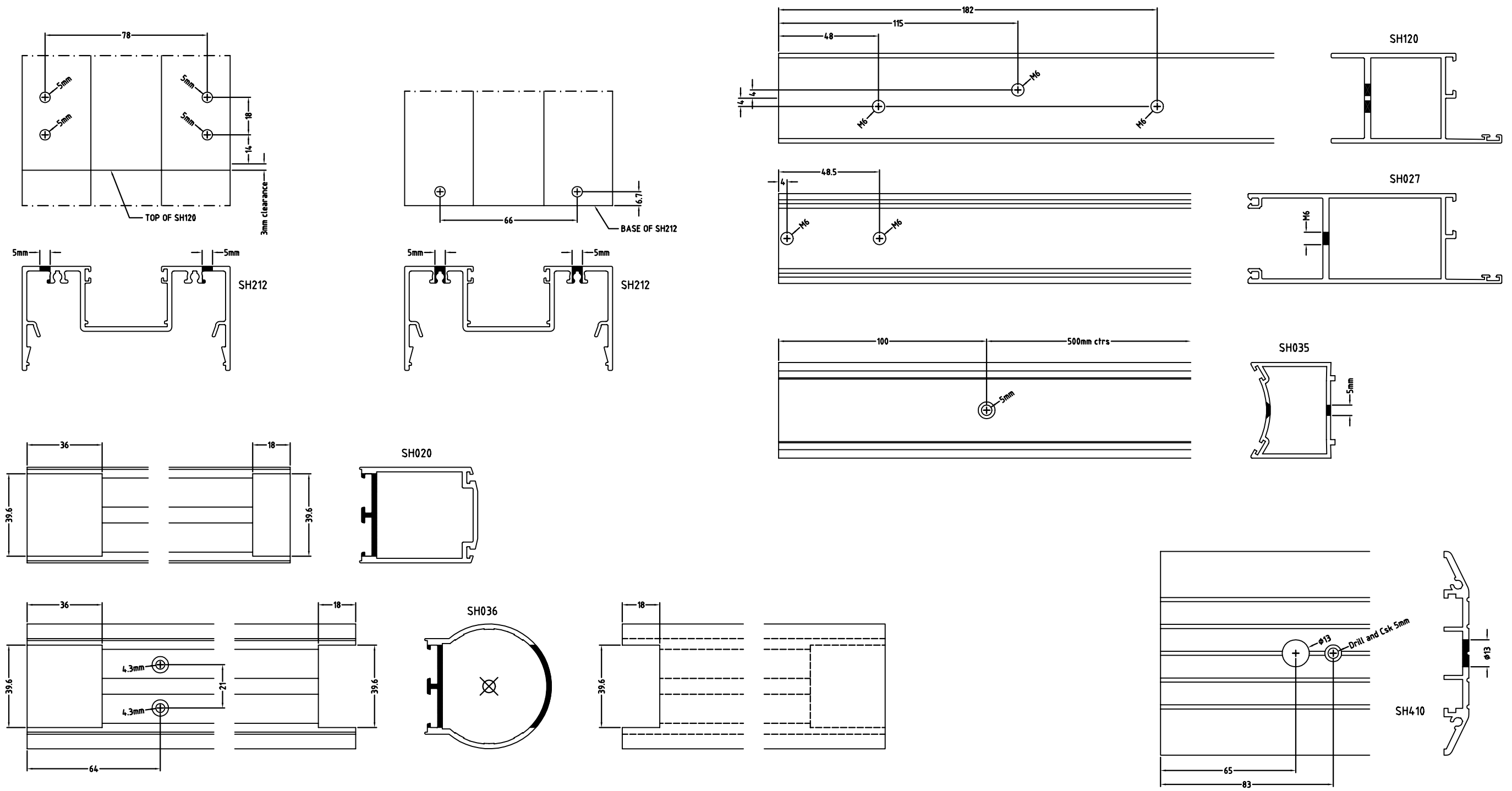
SECTION

PREPARATION FOR ACSH420A - ACSH422B



⊗ pivot point



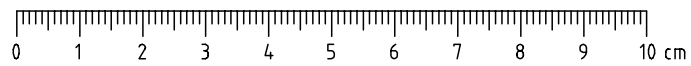
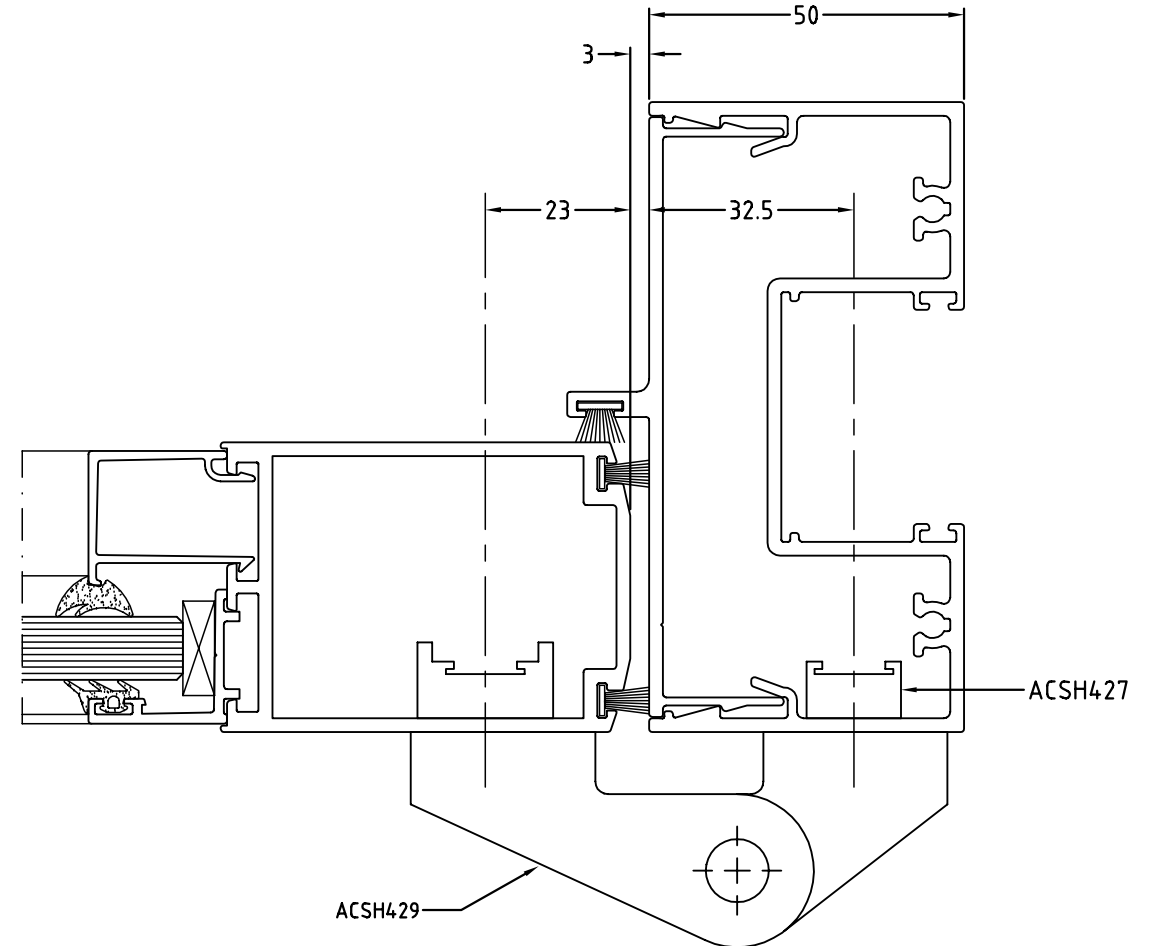
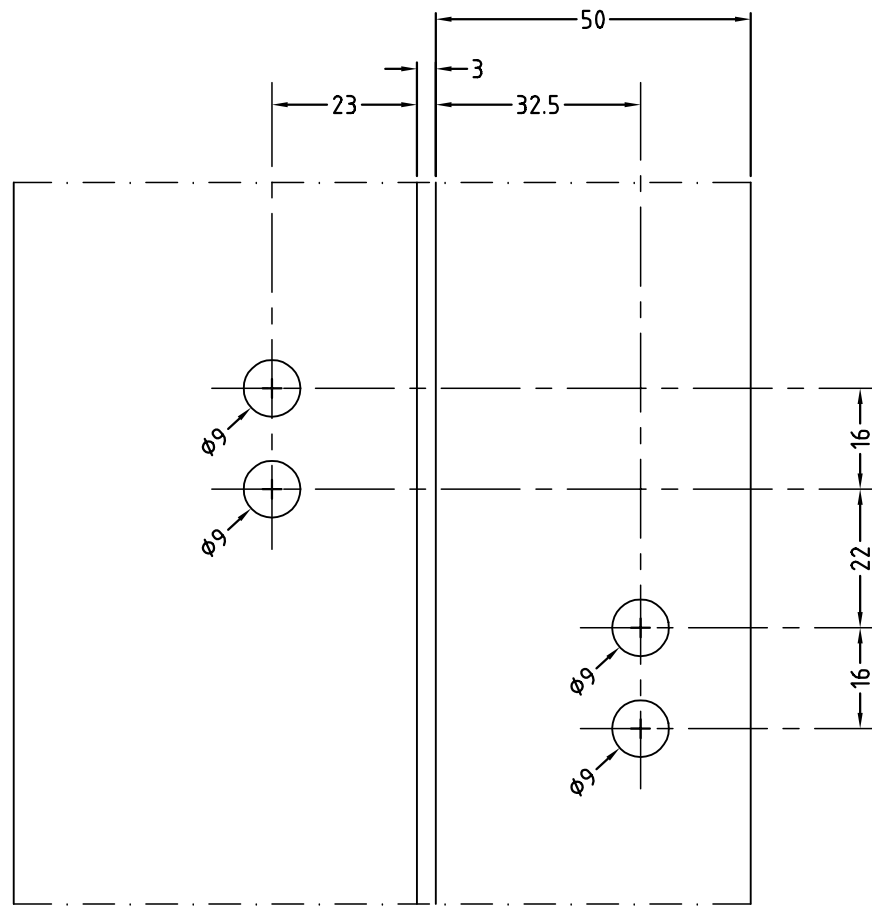
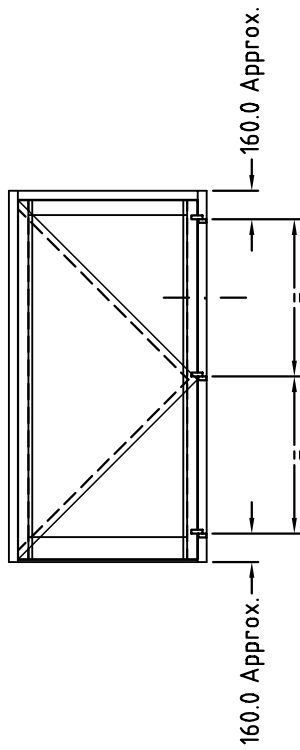
**SECTION**
**PREPARATION FOR ACSH423x**


⊗ PIVOT POINT



SECTION

REBATE DOOR HINGE FIXING



verktek 10



# Shopline - Auto Swing

## Shopline

**NEW SECTIONS:**

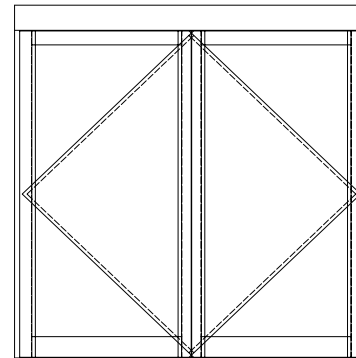
- SH217
- SH115
- SH122
- SH215

**PROFILE CUTTING SCHEDULE**

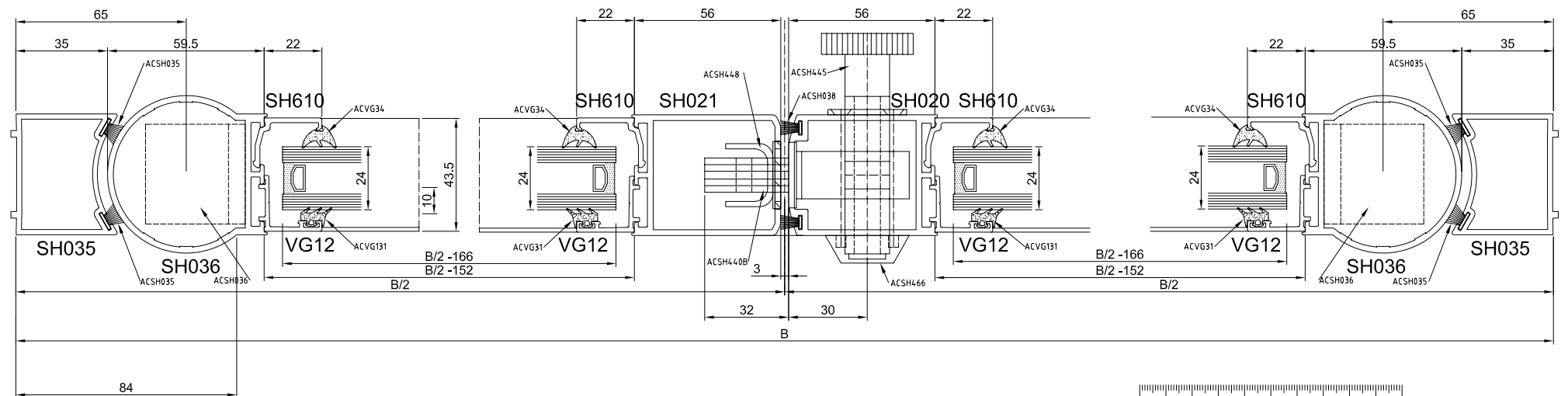
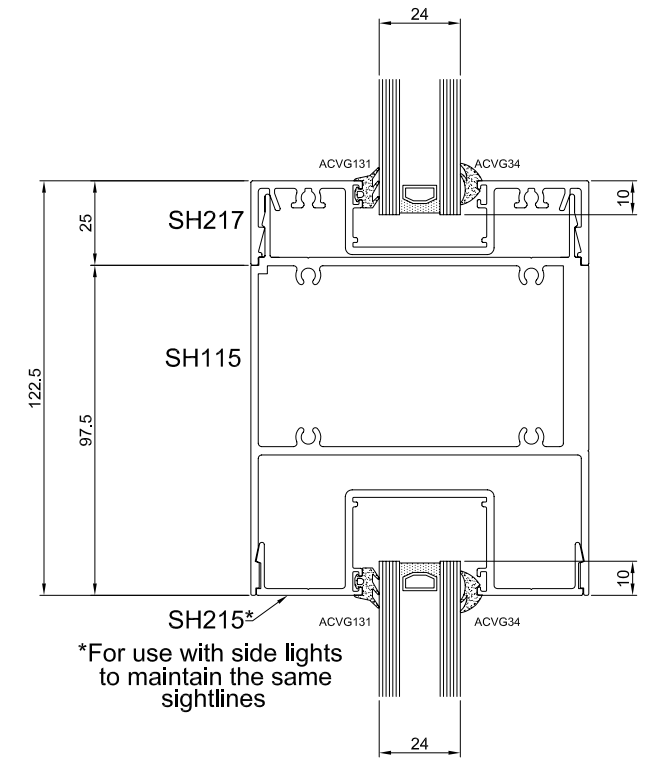
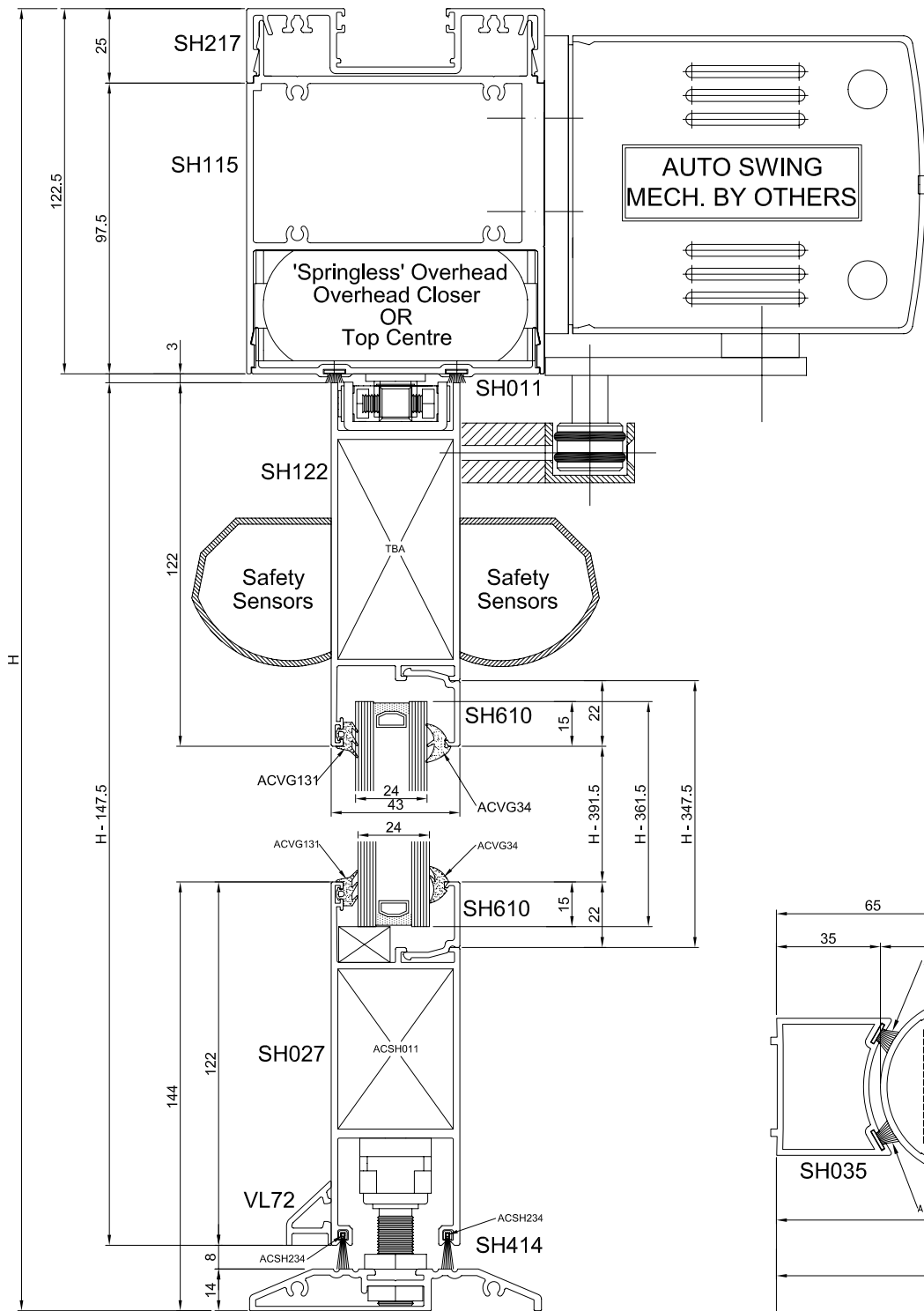
SH020		1		H - 147.5
SH035		2		H - 136.5
SH036		2		H - 147.5
SH021		1		H - 147.5
SH027		2		B/2 - 152
SH120		2		B/2 - 152
SH217		1		B
SH115		1		B
SH011		1		B - 600
SH410		1		B
SH610		4		B/2 - 152
SH610		4		H - 391
VG12		4		H - 391
VL72		2		B/2 - 105

**ACCESSORIES**

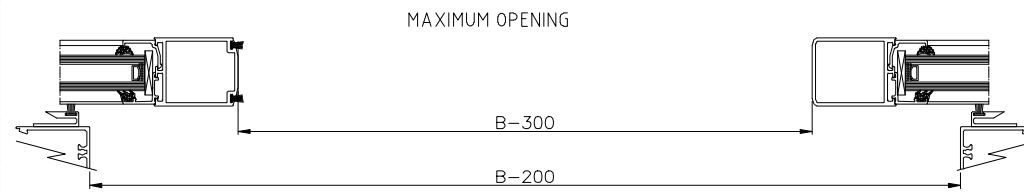
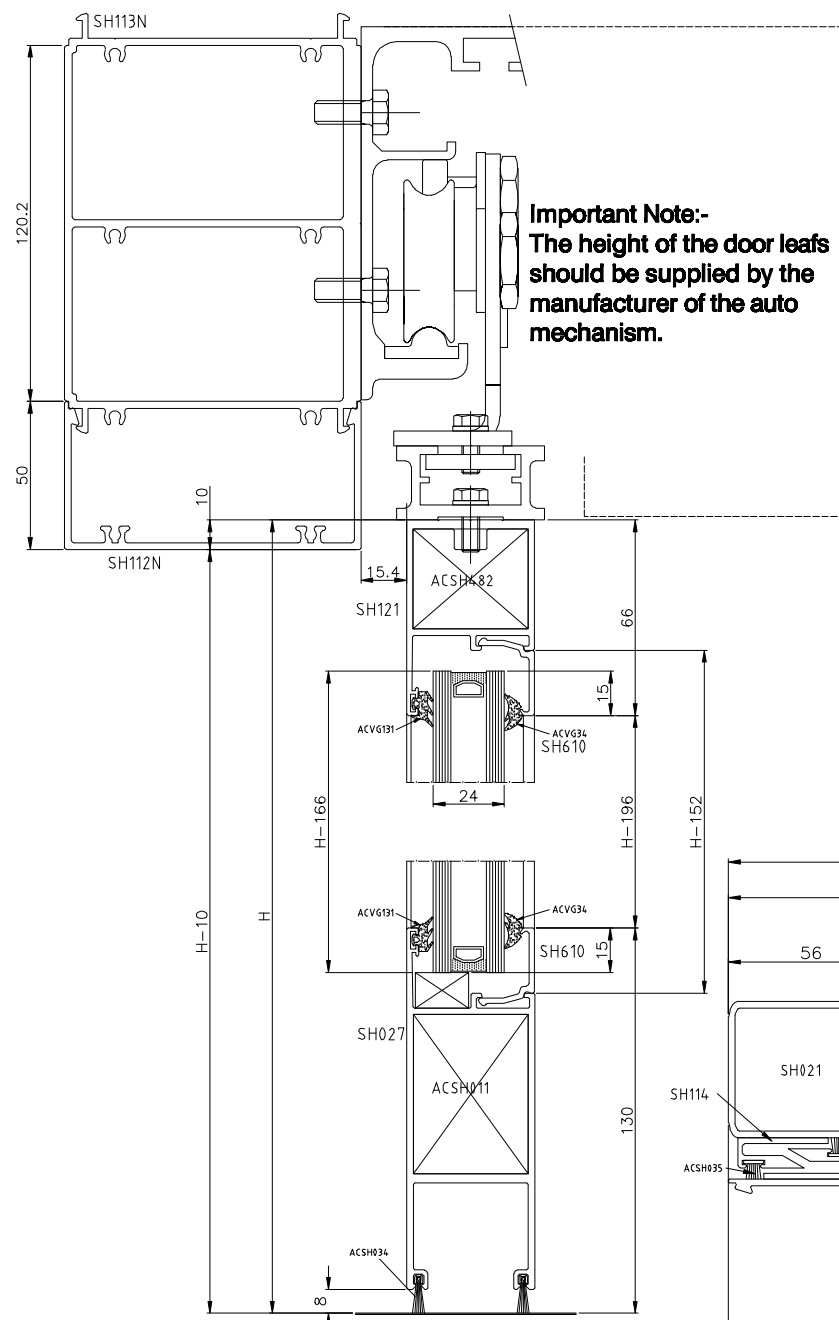
ACSH010	4
ACSH011	4
ACSH037	2B
ACSH038	2x (H - 23)
ACSH035	4x (H - 23)
ACSH034	4x (B/2 - 152)
ACSH036	4
ACVG131	4H + 2B - 134.0
ACVG34	4H + 2B - 134.0
ACSH4.23x	2
ACSH4.40B	1
ACSH4.45	1
ACSH4.46	1
ACSH4.48	1
ACSH4.32	1
ACSH4.18	2
ACVL059	2



GLASS SIZES	B/2 - 166
	H - 361.5



**Note:**  
Drawing Showing Correction Bi-parting Doors with SH121 Head Rail



**PROFILES**

SH020	□	1	H - 8
SH021	□	3	H - 8
SH027	□	2	B/2 - 113.5
SH121	□	2	B/2 - 113.5
SH114	▸	4	H - 8
SH630	▭	4	B/2 - 113.5
SH630	▭	4	H - 196
VG12	⌋	4	H - 196

**ACCESSORIES**

ACSH482	4
ACSH011	4
ACSH034	4 x (B/2 - 113.5)
ACSH038	4H - 32
ACVG131	4H + 2B - 14.00
ACVG34	4H + 2B - 14.00
ACDR050	20

GLASS SIZES	2 X	B/2 - 127.5
		H - 166

